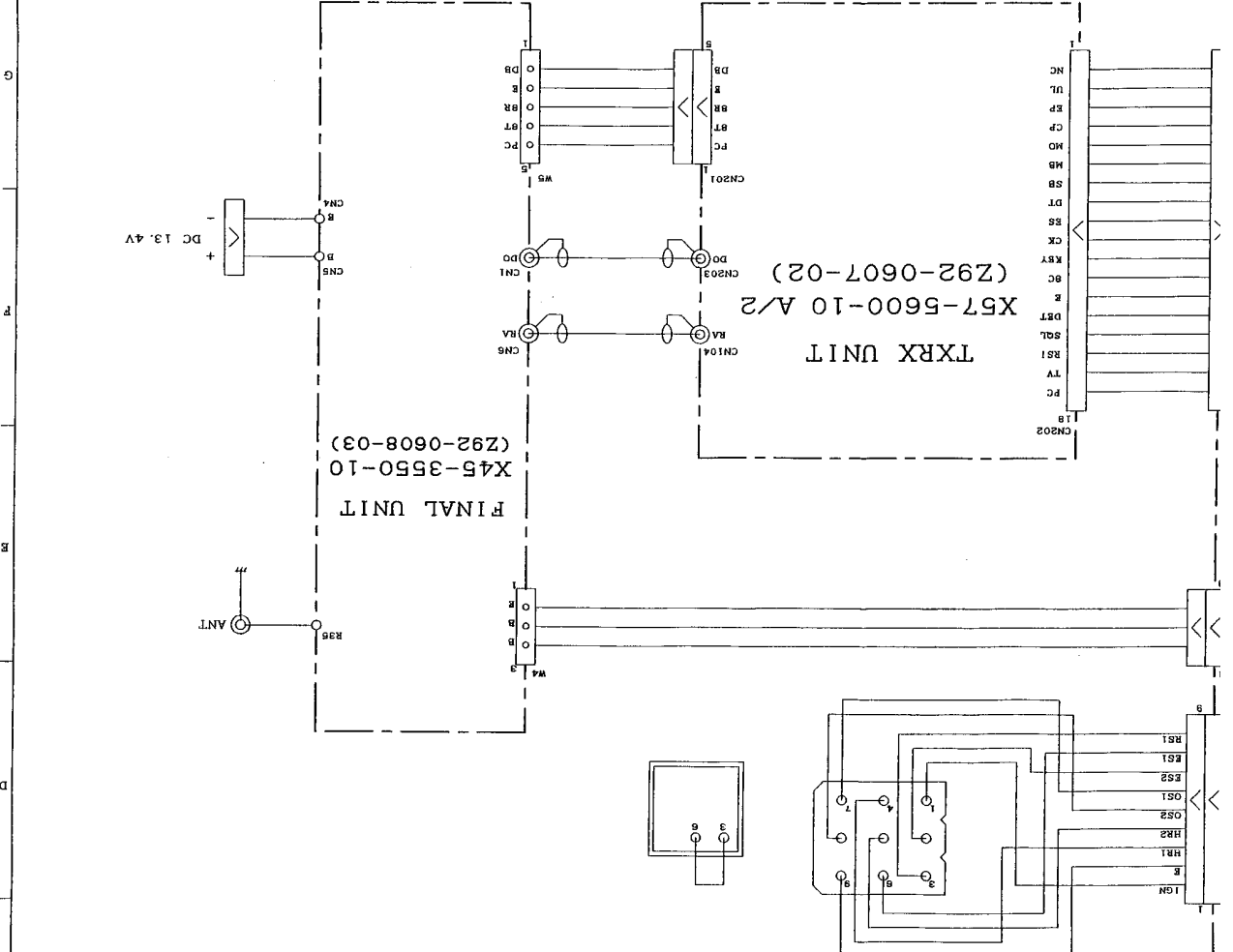


X57-5600-10 B/2 (Z92-0609-01)

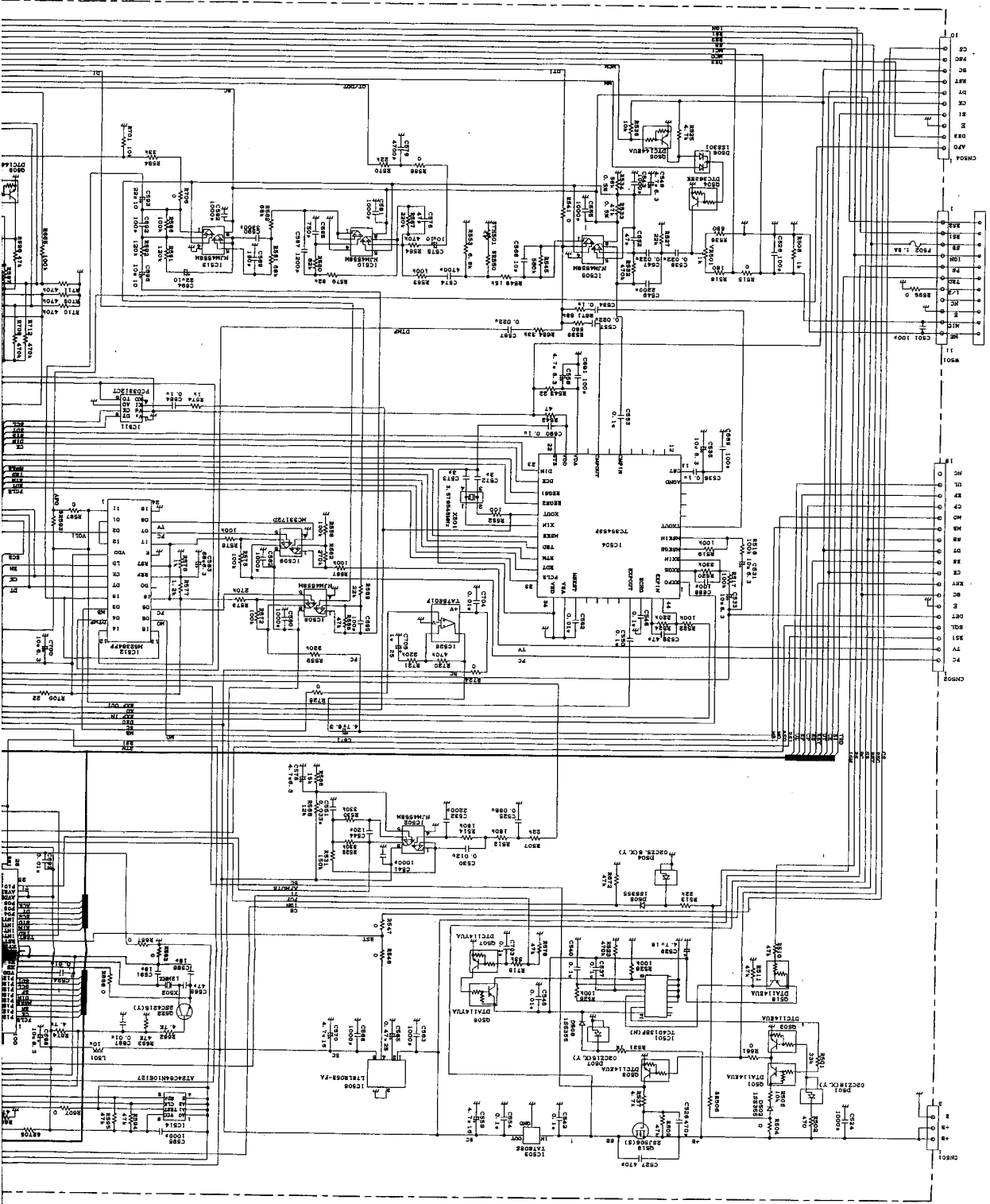
USE FOR	SYMBOL	REVISION NO	CODE	ISSUED	DATE
Y51-4460-10	△				19 --
	△				19 --
	△				19 --
	△				19 --
	△				19 --
	△				19 --
	△				19 --
	△				19 --
	△				19 --
	△				19 --



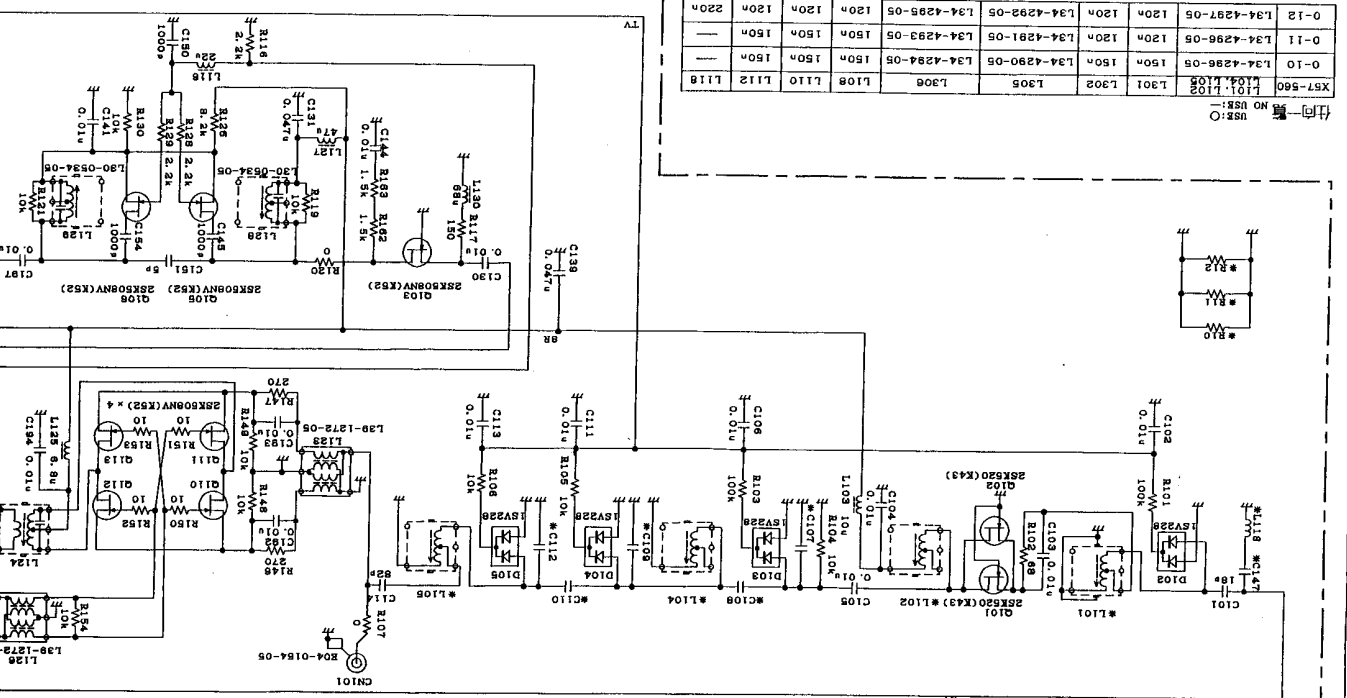
DESIGNED	Y. KIYOMIYA	16/NOV/1998	DRAWN	Y. MATUJ	16/NOV/1998	APPROVED	Y. MATUJ
CHECKED							
PARTS NAME	X45-3550-10						
INTERCONNECT DIAGRAM	Z92-0607-02						
PARTS NUMBER	Z83-3063-02 1/1 00						
KENWOOD CORPORATION							

Y
H
G
F
E
D
C
B
A
V

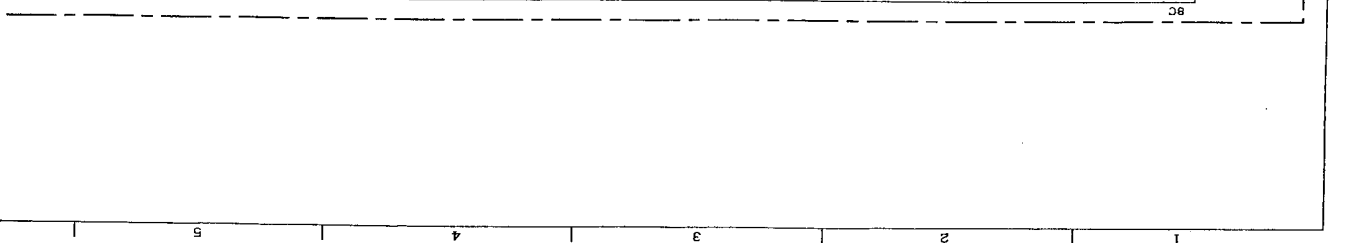
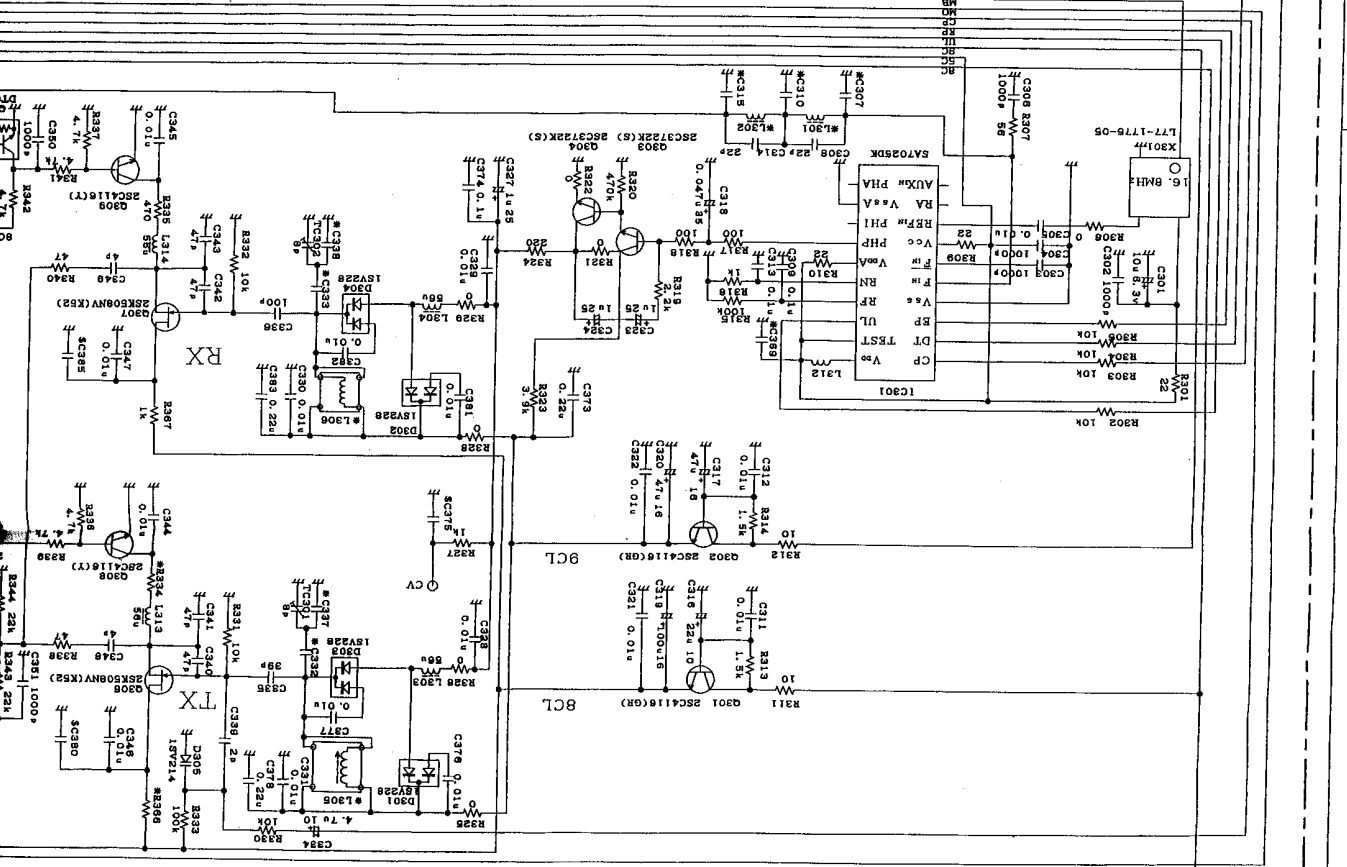
1	RS1	00
2	RS1	00
3	RS1	00
4	RS1	00
5	RS1	00
6	RS1	00
7	RS1	00
8	RS1	00
9	RS1	00
10	RS1	00
11	RSV1	00
12	RSV1	00
13	RSV2	00
14	RSV2	00
15	R	00
16	R	00
17	DRD	00
18	A01	00
19	A02	00
20	A03	00
21	TXD2	00
22	TXD1	00
23	VO4	00
24	VO5	00
25	S0	00
26	TXS	00
27	SPM	00
28	M/D1	00



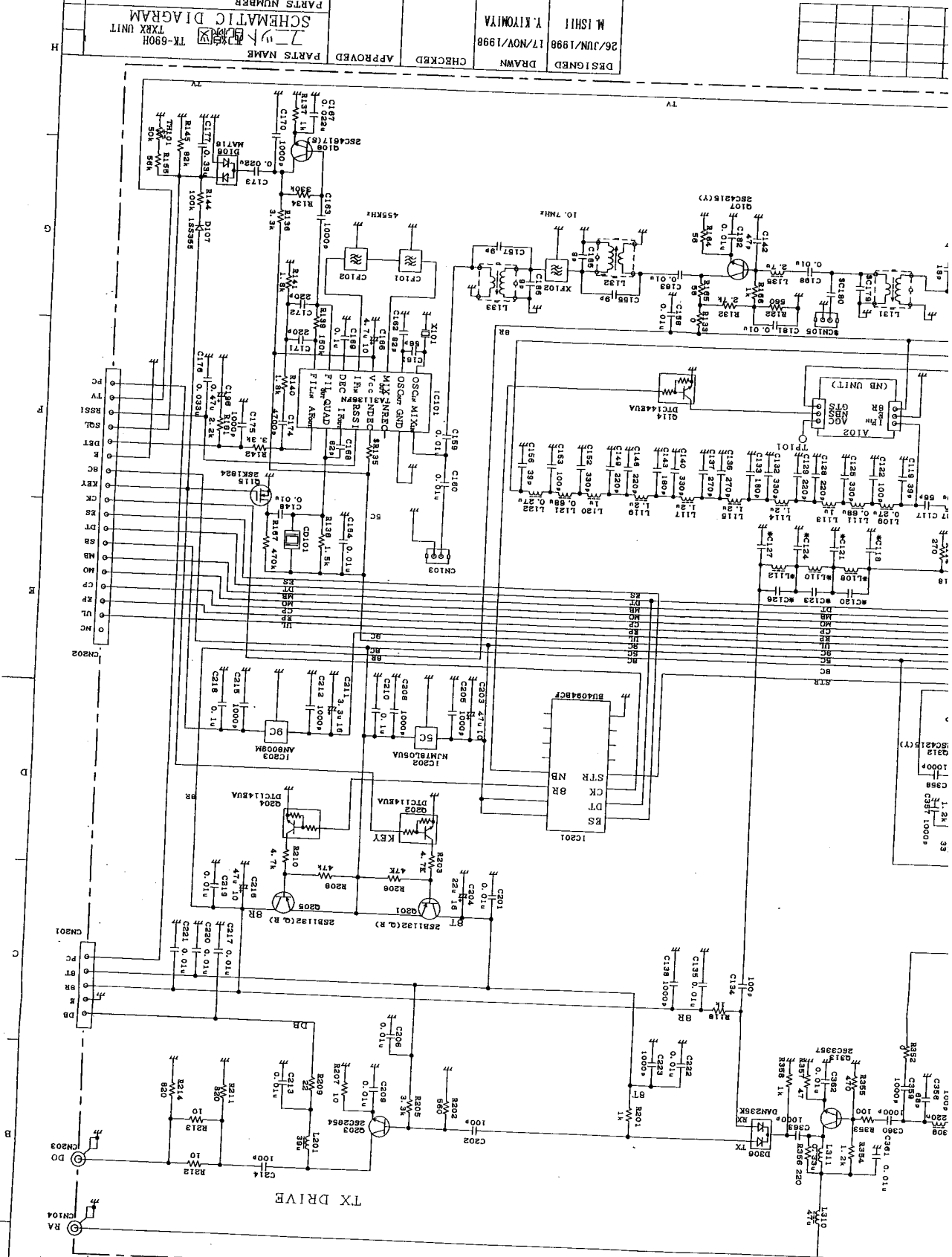
X57-560	C107	C108	C109	C110	C111	C118	C120	C121	C123	C124	C126	C127	C147	C307	C310	C315	C332	C333	C337	C338	C369	R10	R11	R12
0-10	—	3p	4p	3p	—	—	—	—	—	—	—	—	—	—	—	—	—	—	—	—	—	—	—	—
0-11	—	3p	4p	3p	—	—	—	—	—	—	—	—	—	—	—	—	—	—	—	—	—	—	—	—
0-12	6p	—	3p	4p	—	—	—	—	—	—	—	—	—	—	—	—	—	—	—	—	—	—	—	—



X57-560	L101	L102	L103	L104	L105	L106	L107	L108	L109	L110	L112	L118
0-10	150n	150n	150n	150n	150n	150n	150n	150n	150n	150n	150n	150n
0-11	150n	150n	150n	150n	150n	150n	150n	150n	150n	150n	150n	150n
0-12	150n	150n	150n	150n	150n	150n	150n	150n	150n	150n	150n	150n

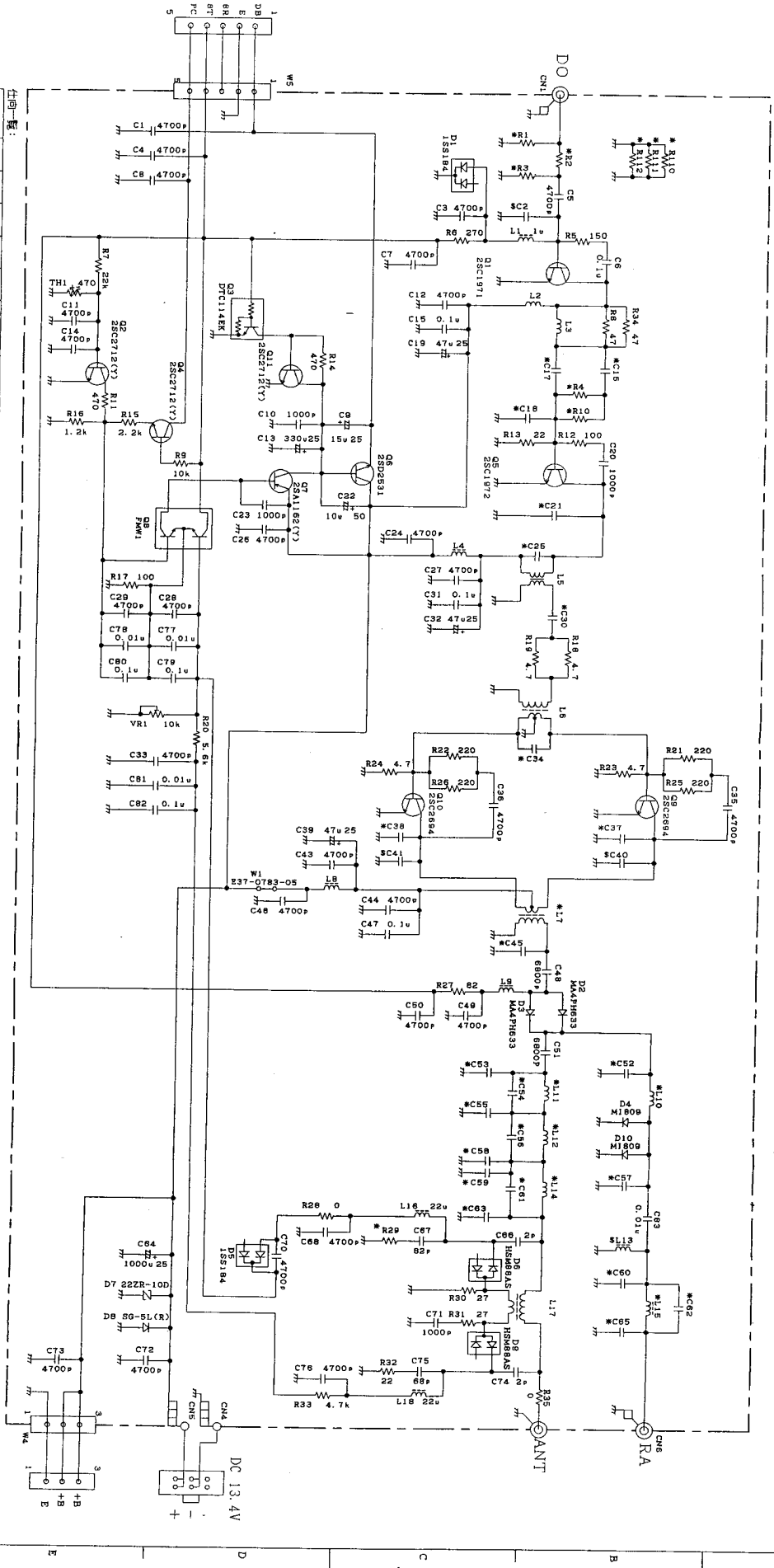


REVISION NO	CODE	ISSUED	DATE
10			19
9			19
			19
			19
			19
			19
			19
			19
			19
			19
			19



DESIGNED	26/JUN/1998	M. ISHII
DRAWN	17/NOV/1998	Y. KIYOMIYA
CHECKED		
APPROVED		
PARTS NAME		
SCHEMATIC DIAGRAM		
TK-6901 TX UNIT		
PARTS NUMBER		
Z92-0607-02 1/1 00		
KENWOOD CORPORATION		

19	△X	19	△X	19	△X	19	△X	19	△X
19	△X	19	△X	19	△X	19	△X	19	△X
19	△X	19	△X	19	△X	19	△X	19	△X
19	△X	19	△X	19	△X	19	△X	19	△X
19	△X	19	△X	19	△X	19	△X	19	△X

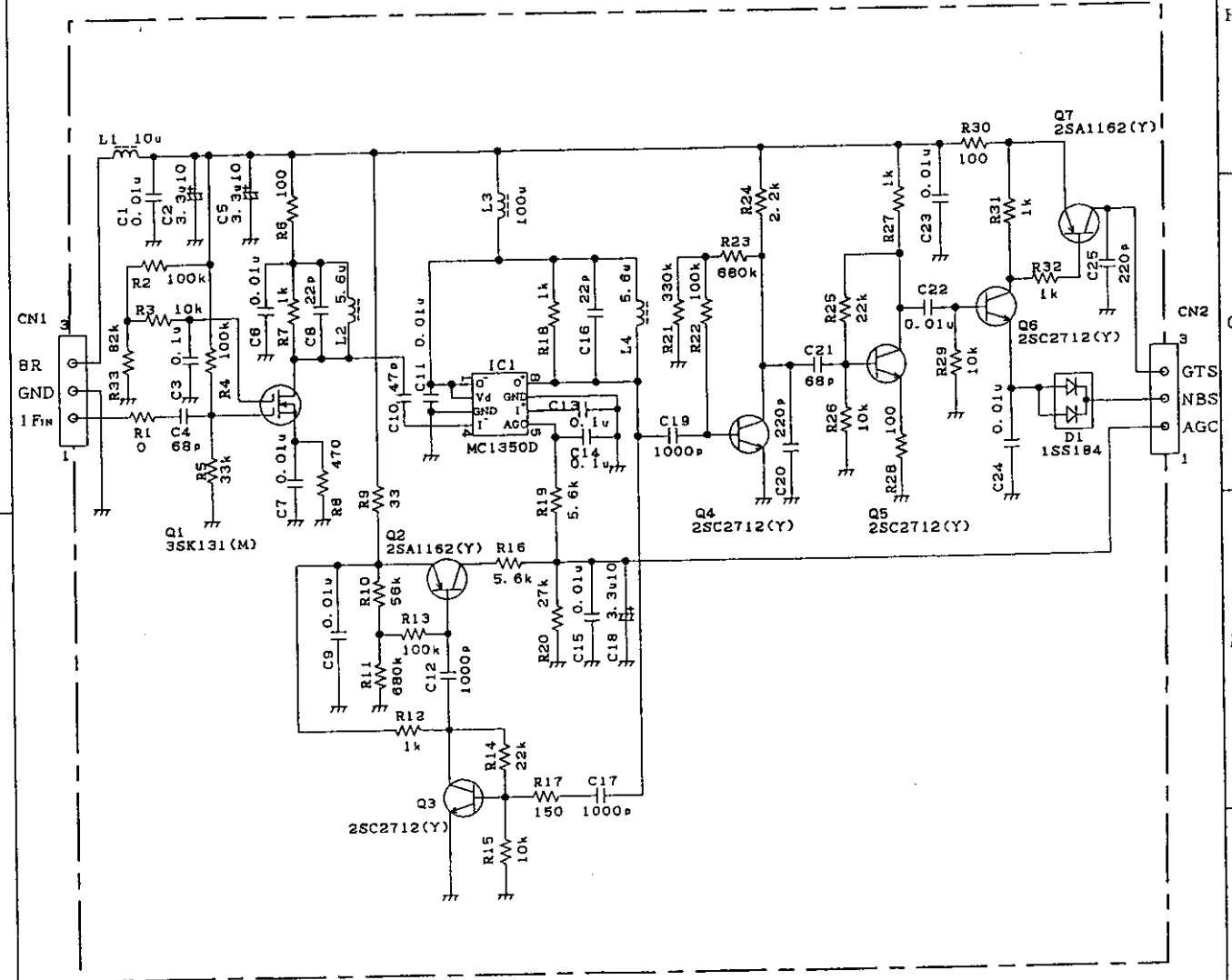


仕向表:

X45-355	C16	C17	C18	C21	C25	C30	C34	C37	C45	C52	C53	C54	C55	C56	C57	C58	C59	C60	C61	C62	C63	C65	L7	L10	L11	L12	L14	L15
0-10	470P	100P	100P	68P	82P	1000P	180P	56P	82P	82P	8P	180P	22P	82P	120P	47P	56P	51P	150P	82P	56P	120P-1214-25	124-1150-05	124-1150-05	124-1150-05	124-1241-05	124-1258-05	56P
0-11	330P	82P	47P	68P	820P	100P	—	82P	39P	4P	120P	22P	82P	33P	39P	120P	82P	33P	39P	120P	82P	120P-1215-25	124-1241-05	124-1241-05	124-1151-05	124-1258-05	68P	
0-12	—	150P	—	82P	47P	47P	680P	120P	12P	68P	39P	8P	100P	27P	68P	—	82P	56P	47P	82P	33P	120P-1215-25	124-1241-05	124-1241-05	124-1151-05	124-1258-05	68P	

node: eead12 directory: /users/ech/work/cs236
 time: 10:45 17-11-08
 Page: X45355S00
 DESIGNED: 05/MAR/1998
 DRAWN: 17/NOV/1998
 CHECKED: Y. KIYOMIYA
 APPROVED: Y. KIYOMIYA
 PARTS NAME: TK-690H
 SCHEMATIC DIAGRAM
 PARTS NUMBER: Z92-0608-03 1/1 00
 Y

USE FOR	SYMBOL	REVISION NO	CODE	ISSUED	DATE
X58-4610-10	△ X				19 - -
	△ X				19 - -
	△ X				19 - -
	△ X				19 - -
	△ X				19 - -



DESIGNED 05/MAR/1998 Y. KIYOMIYA	DRAWN 17/NOV/1998 Y. KIYOMIYA	CHECKED	APPROVED	PARTS NAME TK-690H ユニット配線図 NBユニット
PARTS NUMBER				700 0650 04 1/1 00 X7