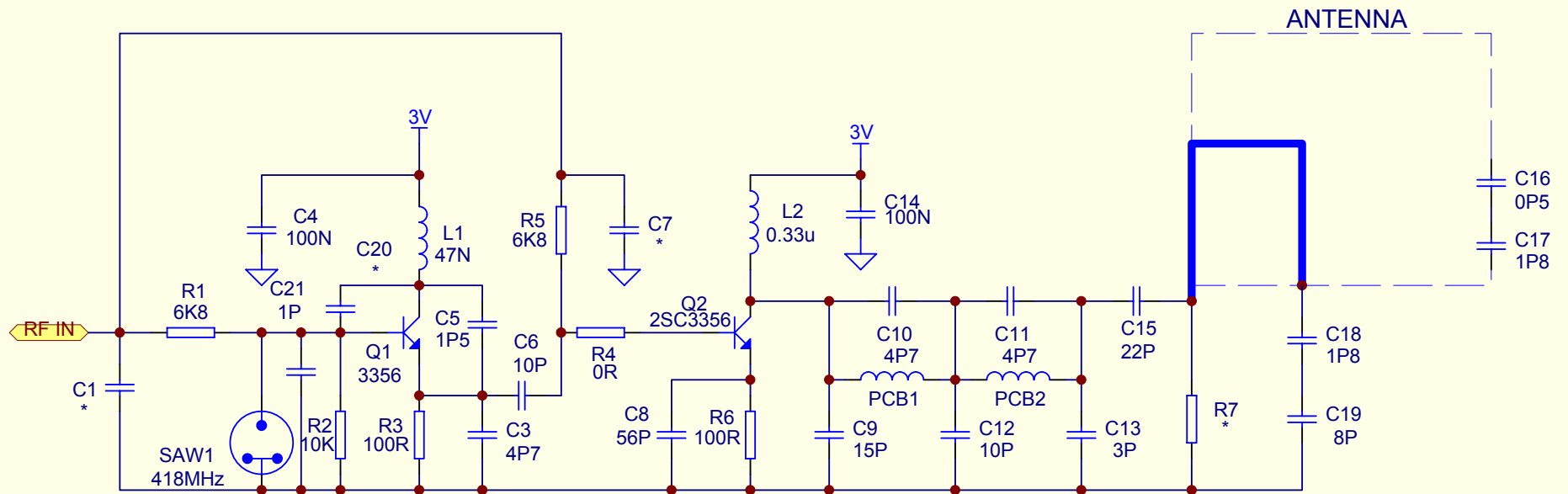


NOTES:-
 1/ ALL UNSPECIFIED DIODES 1N4148 OR EQUIVALENT.
 2/ ALL UNSPECIFIED RESISTORS ARE 0.125W 5%.
 3/ ALL UNSPECIFIED CAPACITORS ARE AXIAL MLC TYPE.

**** DENOTES COMPONENT NOT INSTALLED

DO NOT SCALE DRAWING		TITLE:		
DRN BKW	DATE 16/6/03	BLACK & DECKER CAMERA REMOTE		
APPD.	DATE	FIRST DRAWN	PRINT DATE	SHEET No.
		16/6/03	10:05:04 7-Aug-2003	1 of 1
FILE	REVISION DATE		REV.	
D:\BACKUP\BLACK_-11BDN41B.SCH	16/6/03		B	
PICO ELECTRONICS Ltd., Eastfield Industrial Estate, Glenrothes, Fife, KY7 4NZ, SCOTLAND				



ASSY NOS. : 851001H11889 -> SAMSUNG REMOTE
 851001H11881 -> B&D TV REMOTE

Title			418MHz RF Tx		
Size	Number		Revision		
A4					
Date:	20-Aug-2003		Sheet of		
File:	A:\418TX-N1.SCH		Drawn By:		