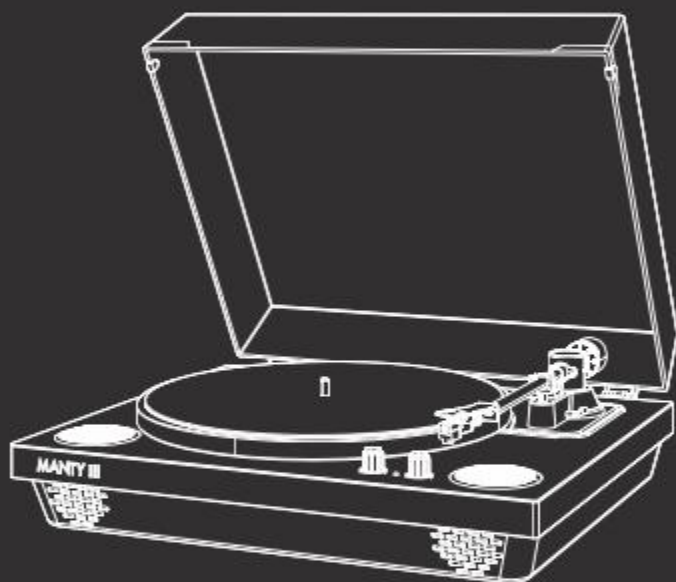





MANTY III

High Fidelity Belt Drive Turntable



Operation Instructions

 Moving Magnet pickup  Supports multiple speeds  Bluetooth version 5.0

syntren

01/INSTRUCTIONS :

Thank you for purchasing the sytren High Fidelity Belt Drive Turntable. This instruction manual contains important information about its safety, usage and disposal. Use the product as described and keep this manual for future reference. If you sell this turntable or pass it on, please also give this manual to the new owner.

02/ SAFETY INSTRUCTIONS:

Read and understand this entire manual before using this product. Keep these instructions for future reference.

1. Do not use the turntable near water.
2. Only connect the turntable to a power outlet type as indicated on the marking label or in the "specifications" section of this instruction manual.
3. The turntable has a polarized plug (one pin is wider than the other). To reduce the risk of electric shock, this plug is intended to fit into a polarized outlet in only one orientation. If the plug does not fit fully into the outlet, reverse the plug. If it still does not fit, contact a qualified electrician. Do not attempt to modify the plug in any way.
4. Protect the power cord from being walked on or pinched, particularly at the power plug, at the point of connection between the plug and outlet and at the point of connection between the power cable and speaker.
5. Do not overload wall outlets or extension cords as this will be a fire hazard and may cause electric shock.
6. Never push objects of any kind into the turntable through openings as they may touch dangerous voltage points or short out parts that could result in a fire or electric shock. Never spill liquid of any kind on the product.
7. Do not attempt to service the turntable yourself as opening or removing body panels may expose you to dangerous voltage or other hazards. Refer all servicing to qualified service personnel.

8. changes or modifications to the turntable not expressly approved by the party responsible for compliance could void the user's authority to operate the product.
 9. Do not use attachments not recommended by the manufacturer as they may cause hazards.
10. only place on a lat. sturdy table or use with the cart. stand. tripod or bracket as specified by the manufacturer or sold with the turntable when a cart is used. use caution when moving the cart/turntable combination to avoid injury from tip-over.
11. slots and openings in the cabinet are provided for ventilation and to ensure reliable operation of the product and to protect it from overheating. Do not block or cover these openings.
12. unplug the product during lightning storms or when unused for long periods of time.

03/ COMPLIANCE WITH FCC REGULATIONS

This device complies with part 15 of the FCC Rules. Operation is subject to

the following two conditions: (1) This device may not cause harmful interference, and (2) this device must accept any interference received, including interference that may cause undesired operation.

Any changes or modifications not expressly approved by the party responsible for compliance could void the user's authority to operate the equipment.

NOTE: This equipment has been tested and found to comply with the limits

for a Class B digital device, pursuant to Part 15 of the FCC Rules. These limits are designed to provide reasonable protection against harmful interference in a residential installation. This equipment generates, uses and

can radiate radio frequency energy and, if not installed and used in accordance with the instructions, may cause harmful interference to radio

communications. However, there is no guarantee that interference will not

occur in a particular installation.

If this equipment does cause harmful interference to radio or television reception,

which can be determined by turning the equipment off and on, the user is encouraged to try to correct the interference by one or more of the following

measures:

- Reorient or relocate the receiving antenna.
- Increase the separation between the equipment and receiver.
- Connect the equipment into an outlet on a circuit different from that to which the receiver is connected.
- Consult the dealer or an experienced radio/TV technician for help.

This equipment complies with FCC radiation exposure limits set forth for an

uncontrolled environment. This equipment should be installed and operated

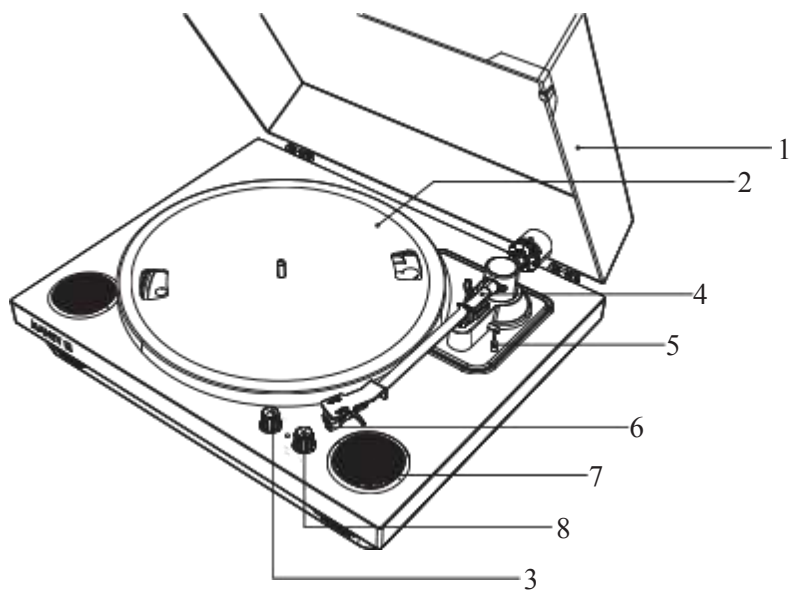
with minimum distance 20cm between the radiator and your body.

04/ PACKING LIST

- Belt
- Gravity hammer (3.5g)
- RBM Converter
- Instructions
- Anti slip pad
- power adapter
- Turntablee from the main power supply by pulling the power cord , turn offthe power and manually unplug the plug ·
- Do not use this device for purposes other than labeling ·
- Do not move this device while in use ·
- Do not put foreign objects into any openings of this device.

05/ FUNCTION INTRODUCTION

1. Transparent dust cover
2. Music player turntable
3. Bluetooth/speed adjustment knob
4. Tone arm
5. Tone arm lifting rod
6. Phonograph head (stylus)
7. Speaker
8. Switch/Volume Adjustment



06/ PLAY A RECORD

· Before playing the album :

1. Removing the stylus protection cover
 2. place the record on a non slip pad , aligning the center hole with the spindle.
- operating the record player: First, fully reduce the volume of the amplifier and speakers.
1. The power switch is located on the back of the machine, and the indicator light will turn red when turned on .
 2. Remove the protective cover of the stylus.
 3. place the record on the anti slip pad .
 4. select the 33 or 45 speed button based on the record type.
 5. open the locking buckle of the singing arm and lift the lifting rod of the singing arm .
 6. place the singing arm above the turntable, and the turntable will automatically rotate.
 7. Lower the singing arm lifting rod.
 8. Adjust the volume as needed.
 9. After playing , lift the singing arm back to its original position and close the switch on the back.
 - 10 .f there is no sound output within 3 minutes, the turntable will rotate.

Attention : Applying downward force may cause the stylus to detach from the cartridge .f the array has fallen of or is about to fall off,please reinstall the stylus.

07/ BLUETOOTH PLAYBACK

1. connect the power adapter to the record player, turn on the power switch , and the indicator will turn red .
2. switch the function knob to Bluetooth mode , and the indicator light will turn blue and lash quickly. You will hear the Bluetooth activation sound from the record player.
3. Turn on the Bluetooth function of the media device , search for and select the connection "syitren MANTY I".
4. After successful connection , the singer will emit a prompt tone.
5. when playing music on a media device, the indicator light will remain on .

Note : The Bluetooth version is 5.0

08/ PRECAUTIONS FOR USE

- when opening or closing the dust cover, grasp its center or sides and handle it gently.
- Don't touch the stylus with your fingers to avoid it touching the edge of the disc or record.
- Regularly clean the stylus with a soft brush.
- If it is necessary to use stylus cleaning solution, please use it as little as possible.
- Gently wipe the dust cover and player body with a soft cloth
- when picking up and playing a record, keep your hands clean and hold the edge of the record. Touching the surface of a record can cause a decrease in playback quality.
- when not in use, store the album in a protective case.

09/ MAINTENANCE AND UPKEEP

- when cleaning and maintaining the phonograph, please keep your hands clean.
- wipe the phonograph with a soft, dry, and lint free cloth.
- Don't use rough chemicals or solvents on any part of the phonograph, as this may cause damage.
- Don't immerse the record player in water or any other liquid.
- Don't expose the phonograph to liquids or moisture to avoid affecting internal circuits.

10/ MAINTENANCE

- Damage caused by improper handling, handling, placement, storage, or installation is not covered by this warranty.
- We suggest carefully reading and fully understanding any instructions provided regarding assembly/installation and service life.
- If the product cannot function properly, first check if there are other reasons, such as incorrect power connection.
- Customer service will require a purchase receipt, model description, brand, and explanation of faults and related issues.
- Please contact the merchant you purchased

Disposal

Disposal of the Product

Under no circumstances should you dispose of this product in normal domestic waste. This product is subject to the provisions of European Directive 2012/19/EU—dispose of this product via an approved disposal company or your municipal waste facility. Please observe currently applicable regulations.



Please contact your waste disposal center if you need any further information. This product's packaging is made from environmentally friendly material and can be disposed of at your local recycling plant.



Compatible with BLUETOOTH® devices.

Compatible with iPod, iPhone, and iPad.

iPod, iPad, and iPhone are registered trademarks of Apple Inc. in the United States and other countries/regions.

BLUETOOTH® text mark and micro mark are registered trademarks of Bluetooth SIG, Inc.

Haiping Industry Co., Ltd.

**3F, Building C, NO.68, Hongshi Road Buxin, Fenggang Town,
Dongguan, Guangdong, China**

Made in China