

Antenna Specification for Approval

Customer Name: _____

Product Name: _____ 2.4G antenna _____

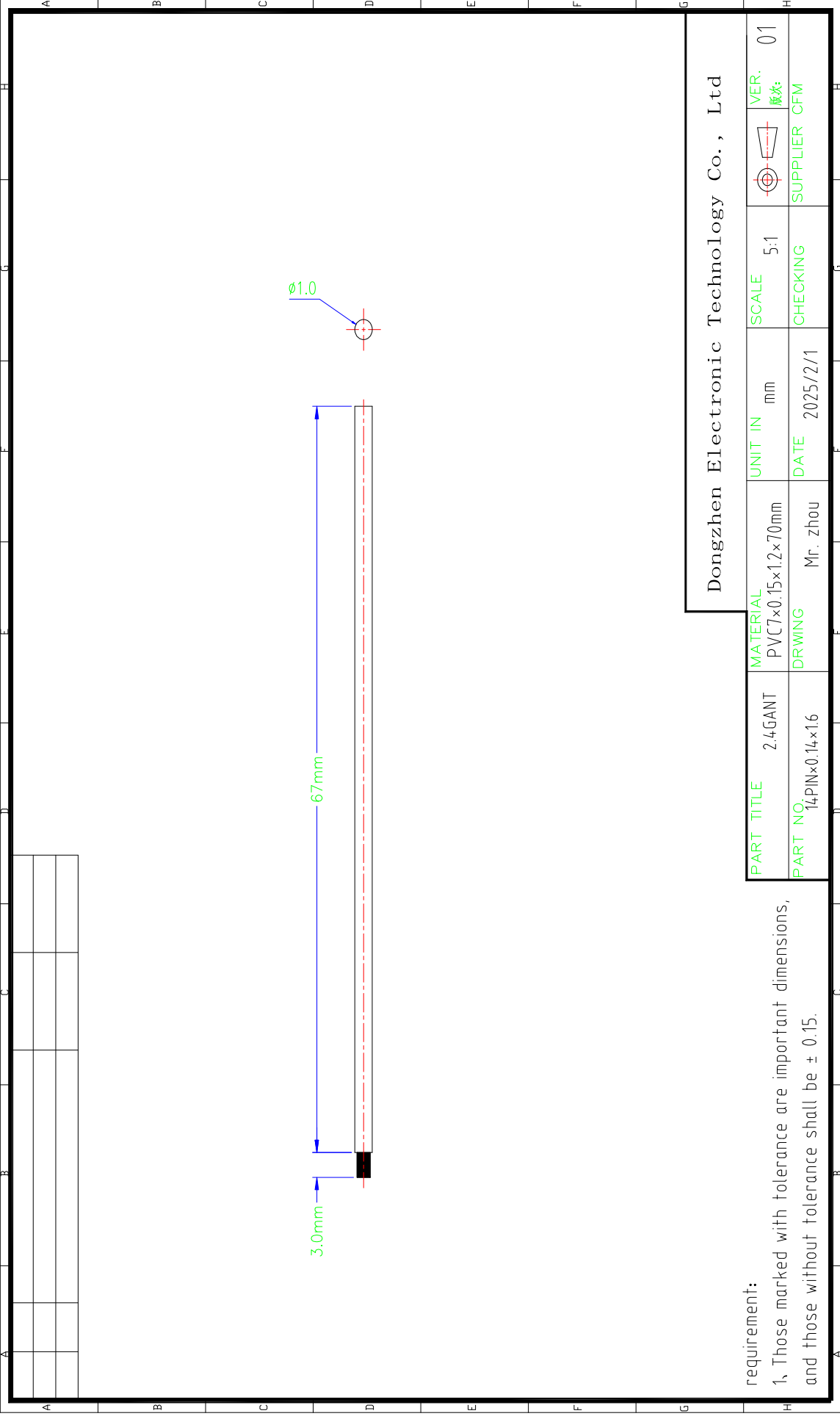
Product Name: _____

Part NO. : _____ PVC7*0.15*1.2*70mm _____

Write By: _____ Mr. zhou _____

Issued Date: _____ 2025-2-8 _____

Manufacturer:SHANTOU CHENGHAI TENGHUI PLASTIC TOYS FACTORY
Manufacturer add.:KUNMEI NEW INDUSTRIAL PARK, FENGXIANG
STREET, CHENGHAI, SHANTOU, CHINA



requirement:

- Those marked with tolerance are important dimensions, and those without tolerance shall be ± 0.15 .

Product Specification

A. Electrical Characteristics

Frequency 2400MHz ~2500MHz

VSWR <3.0

Efficiency >20%

Impedance 50 Ohm

Polarization Line

Gain 0.17DBi

B. Material & Mechanical Characteristics

Material of Radiator Cu

Cable Type 1.0

Connector Type : NO

Dimension

C. Environmental

Operation Temperature - 30 °C ~ + 80 °C

Storage Temperature - 30 °C ~ + 85 °C

Test Equipment & Conditions

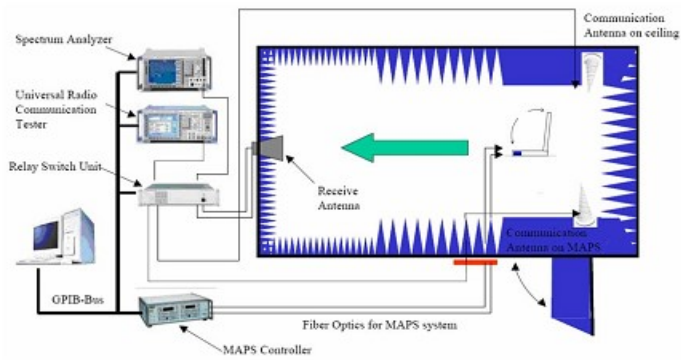
1. Network Analyzers :

Agilent 8753D 5071B

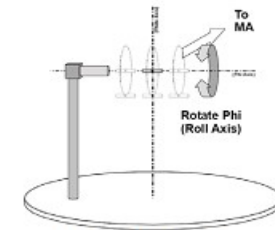
2. Communications Test Set:

Agilent E5515C

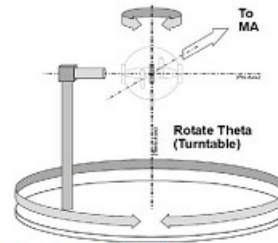
3. 3D Chamber Test System



(Testing by 3D anechoic chamber)



Phi axis test

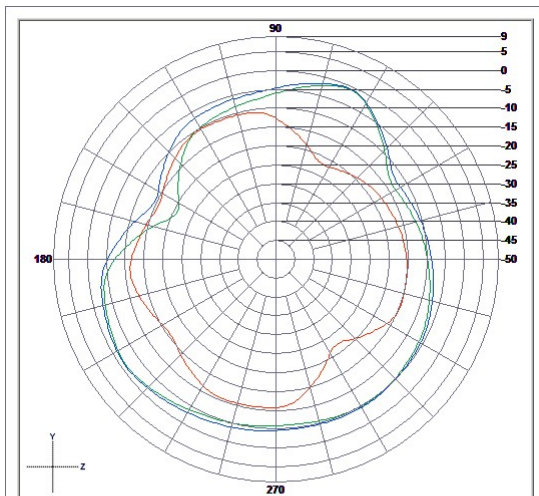


Theta axis test

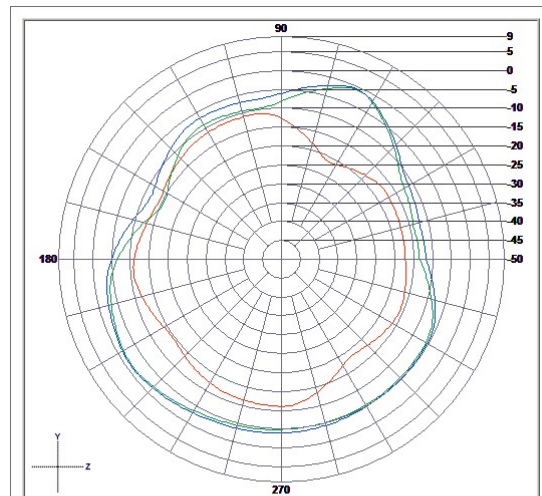
Gain

2.40	-0.01
2.440	0.12
2.48	0.17

Radiation Pattern:



	Vertical	Horizontal	Total
Avg. Gain	-13.14	-5.08	-4.45
Peak Gain	-10.08	-0.03	-0.01



	Vertical	Horizontal	Total
Avg. Gain	-13.34	-5.06	-4.46
Peak Gain	-10.3	0.09	0.12

