




TEST REPORT

FCC ID :	2A5LO-ZLTM30SPRO	
Test Report No :	TCT240801E015	
Date of issue :	Sep. 14, 2024	
Testing laboratory	SHENZHEN TONGCE TESTING LAB	
Testing location/ address:	2101 & 2201, Zhenchang Factory, Renshan Industrial Zone, Fuhai Subdistrict, Bao'an District, Shenzhen, Guangdong, 518103, People's Republic of China	
Applicant's name :	Tozed Kangwei Tech Co., Ltd	
Address :	Room 1301, NO. 37 Jinlong, Nansha Street, Xiangjiang Financial Business Center, Nansha District, Guangzhou, China	
Manufacturer's name ... :	Tozed Kangwei Tech Co., Ltd	
Address :	Room 1301, NO. 37 Jinlong, Nansha Street, Xiangjiang Financial Business Center, Nansha District, Guangzhou, China	
Standard(s)	FCC CFR Title 47 Part 2 FCC CFR Title 47 Part22 FCC CFR Title 47 Part24	
Product Name :	LTE Mobile WiFi	
Trade Mark	TOZED KANGWEI	
Model/Type reference :	ZLT M30S PRO, ZLT M35	
Rating(s) :	Rechargeable Li-ion Battery DC 3.7V	
Date of receipt of test item	Aug. 01, 2024	
Date (s) of performance of test :	Aug. 01, 2024 ~ Sep. 14, 2024	
Tested by (+signature) ... :	Aaron MO	
Check by (+signature) :	Beryl ZHAO	
Approved by (+signature):	Tomsin	



General disclaimer:

This report shall not be reproduced except in full, without the written approval of SHENZHEN TONGCE TESTING LAB. This document may be altered or revised by SHENZHEN TONGCE TESTING LAB personnel only, and shall be noted in the revision section of the document. The test results in the report only apply to the tested sample.

Table of Contents

1. General Product Information	3
1.1. EUT description	3
1.2. Model(s) list.....	3
1.3. Operation Frequency	4
2. Test Result Summary	5
3. General Information.....	6
3.1. Test environment and mode.....	6
3.2. Description of Support Units.....	7
3.3. Configuration of Tested System	8
3.4. Measurement Results Explanation Example.....	8
4. Facilities and Accreditations	9
4.1. Facilities	9
4.2. Location	9
4.3. Measurement Uncertainty.....	9
5. Test Results and Measurement Data	10
5.1. Conducted Output Power Measurement	10
5.2. Peak to Average Ratio.....	12
5.3. 99% Occupied Bandwidth and 26dB Bandwidth Measurement	16
5.4. Band Edge and Conducted Spurious Emission Measurement	20
5.5. Effective Radiated Power and Effective Isotropic Radiated Power Measurement	26
5.6. Field Strength of Spurious Radiation Measurement	30
5.7. Frequency Stability Measurement	36
Appendix B: Photographs of Test Setup	
Appendix C: Photographs of EUT	

1. General Product Information

1.1. EUT description

Product Name.....:	LTE Mobile WiFi
Model/Type reference.....:	ZLT M30S PRO
Sample Number.....:	TCT240801E014-0101
3G Version	WCDMA: R99 HSDPA: Release 5 HSUPA: Release 6
Tx Frequency.....:	WCDMA Band V: 826.4MHz ~ 846.6MHz WCDMA Band II: 1852.4MHz ~ 1907.6MHz
Rx Frequency	WCDMA Band V: 871.4MHz ~ 891.6MHz WCDMA Band II: 1932.4MHz ~ 1987.6MHz
Maximum Output Power to Antenna.....:	WCDMA Band V: 23.07dBm WCDMA Band II: 22.72dBm
99% Occupied Bandwidth.....:	WCDMA Band V RMC 12.2Kbps: 4M16F9W WCDMA Band II RMC 12.2Kbps: 4M15F9W
Type of Modulation.....:	WCDMA/HSDPA/HSUPA: QPSK
Antenna Type.....:	FPC Antenna
Antenna Gain.....:	WCDMA Band V: 0.04dBi WCDMA Band II: 0.86dBi
Rating(s).....:	Rechargeable Li-ion Battery DC 3.7V

Note: The antenna gain listed in this report is provided by applicant, and the test laboratory is not responsible for this parameter.

1.2. Model(s) list

No.	Model No.	Tested with
1	ZLT M30S PRO	<input checked="" type="checkbox"/>
Other models	ZLT M35	<input type="checkbox"/>

Note: ZLT M30S PRO is tested model, other models are derivative models. The models are identical in circuit and PCB layout, only different on the model names and appearance. So the test data of ZLT M30S PRO can represent the remaining models.

1.3. Operation Frequency

WCDMA Band V		WCDMA Band II	
Channel:	Frequency (MHz)	Channel:	Frequency (MHz)
4132	826.40	9262	1852.40
4133	826.60	9263	1852.60
....
4182	836.40	9399	1879.80
4183	836.60	9400	1880.00
4184	836.80	9401	1880.20
...
4233	846.60	9538	1907.60

2. Test Result Summary

Requirement	CFR 47 Section	Result
Conducted Output Power	§22.913; §2.1046 §24.232	PASS
Peak-to-Average Ratio	§2.1046; §24.232(d) §22.913	PASS
Effective Radiated Power	§2.1046; §22.913(a) §24.232	PASS
Equivalent Isotropic Radiated Power	§2.1046; §22.913(a) §24.232	PASS
Occupied Bandwidth	§2.1049	PASS
Band Edge	§2.1051 §22.917(a) §24.238(a)	PASS
Conducted Spurious Emission	§2.1051; §22.917 §24.238	PASS
Field Strength of Spurious Radiation	§2.1053; §22.917(a) §24.238	PASS
Frequency Stability for Temperature & Voltage	§2.1055; §22.355 §24.235	PASS

Note:

1. PASS: Test item meets the requirement.
2. Fail: Test item does not meet the requirement.
3. N/A: Test case does not apply to the test object.
4. The test result judgment is decided by the limit of test standard.

3. General Information

3.1. Test environment and mode

Operating Environment:	
Temperature:	25.0 °C
Humidity:	56 % RH
Atmospheric Pressure:	1010 mbar
Remark: This product has a built-in rechargeable battery, so in an independent test, the EUT battery was fully-charged.	

Test Mode		
Band	Radiated TCs	Conducted TCs
WCDMA Band V	RMC 12.2Kbps Link	RMC 12.2Kbps Link
WCDM Band II	RMC 12.2Kbps Link	RMC 12.2Kbps Link

Keep the EUT in communication with CMU200 and select channel with modulation All modes and data rates and positions were investigated. Test modes are chosen to be reported as the worst case configuration below:

Antenna port conducted and radiated test items were performed according to KDB 971168 D01 Power Meas. License Digital Systems v03r01 with maximum output power. Radiated measurements were performed with rotating EUT in different three orthogonal test planes to find the maximum emission. The sample was placed (0.8m below 1GHz, 1.5m above 1GHz) above the ground plane of 3m chamber. Measurements in both horizontal and vertical polarities were performed. During the test, each emission was maximized by: having the EUT continuously working, investigated all operating modes, rotated about all 3 axis (X, Y & Z) and considered typical configuration to obtain worst position, manipulating interconnecting cables, rotating the turntable, varying antenna height from 1m to 4m in both horizontal and vertical polarization. The emissions worst-case (Z axis) are shown in Test Results of the following pages.

3.2. Description of Support Units

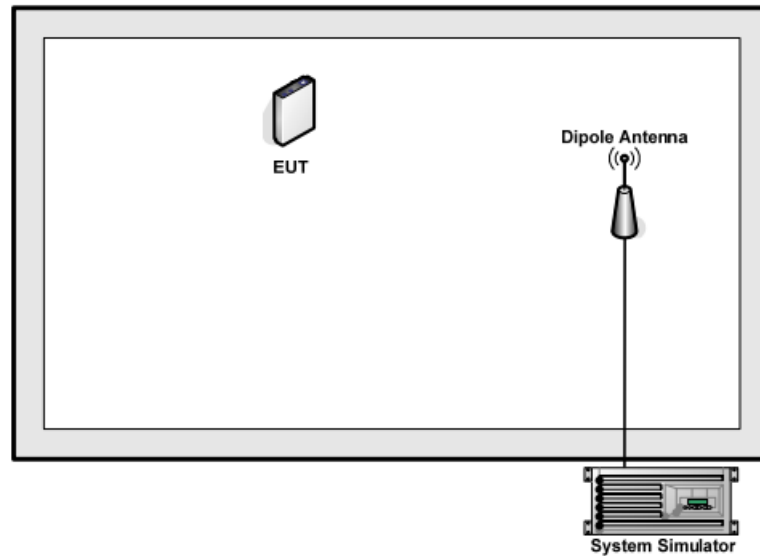
The EUT has been tested as an independent unit together with other necessary accessories or support units. The following support units or accessories were used to form a representative test configuration during the tests.

Equipment	Model No.	Serial No.	FCC ID	Trade Name
/	/	/	/	/

Note:

1. All the equipment/cables were placed in the worst-case configuration to maximize the emission during the test.
2. Grounding was established in accordance with the manufacturer's requirements and conditions for the intended use.

3.3. Configuration of Tested System



3.4. Measurement Results Explanation Example

For all conducted test items:

The offset level is set in the spectrum analyzer to compensate the RF cable loss and attenuator factor between RF conducted output port and spectrum analyzer. With the offset compensation, the spectrum analyzer reading level will be exactly the RF output level. The spectrum analyzer offset is derived from RF cable loss and attenuator factor.

Offset = RF cable loss + attenuator factor.

The following shows an offset computation example with RF cable loss 3 dB and a 5dB attenuator.

Example: $Offset (dB) = RF\ cable\ loss (dB) + attenuator\ factor (dB)$
 $= 8(dB)$

4. Facilities and Accreditations

4.1. Facilities

The test facility is recognized, certified, or accredited by the following organizations:

- FCC - Registration No.: 645098

SHENZHEN TONGCE TESTING LAB

Designation Number: CN1205

The testing lab has been registered and fully described in a report with the (FCC) Federal Communications Commission. The acceptance letter from the FCC is maintained in our files.

- IC - Registration No.: 10668A

SHENZHEN TONGCE TESTING LAB

CAB identifier: CN0031

The testing lab has been registered by Innovation, Science and Economic Development Canada for radio equipment testing.

4.2. Location

SHENZHEN TONGCE TESTING LAB

Address: 2101 & 2201, Zhenchang Factory Renshan Industrial Zone, Fuhai Subdistrict, Bao'an District, Shenzhen, Guangdong, 518103, People's Republic of China

TEL: +86-755-27673339

4.3. Measurement Uncertainty

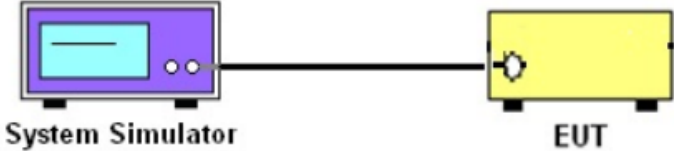
The reported uncertainty of measurement $y \pm U$, where expanded uncertainty U is based on a standard uncertainty multiplied by a coverage factor of $k=2$, providing a level of confidence of approximately 95 %.

No.	Item	MU
1	Conducted Emission	± 3.10 dB
2	RF power, conducted	± 0.12 dB
3	Spurious emissions, conducted	± 0.11 dB
4	All emissions, radiated(<1 GHz)	± 4.56 dB
5	All emissions, radiated(1 GHz - 18 GHz)	± 4.22 dB
6	All emissions, radiated(18 GHz- 40 GHz)	± 4.36 dB
7	Temperature	$\pm 0.1^{\circ}\text{C}$
8	Humidity	$\pm 1.0\%$

5. Test Results and Measurement Data

5.1. Conducted Output Power Measurement

5.1.1. Test Specification

Test Requirement:	FCC part 22.913(a) and FCC part 24.232(b)
Test Method:	FCC KDB 971168 D01 v03r01
Operation mode:	Refer to item 3.1
Limits:	WCDMA Band V:7W WCDMA Band II: 2W
Test Setup:	 <p>The diagram illustrates the test setup. On the left is a purple box labeled 'System Simulator' with a screen and two buttons. A black cable connects it to a yellow box on the right labeled 'EUT' (Equipment Under Test).</p>
Test Procedure:	<ol style="list-style-type: none"> 1. The transmitter output port was connected to the system simulator. 2. Set EUT at maximum power through system simulator. 3. Select lowest, middle, and highest channels for each band and different modulation. 4. Measure the maximum burst average power for GSM and maximum average power for other modulation signal.
Test Result:	PASS

5.1.2. Test Instruments

Equipment	Manufacturer	Model	Serial Number	Calibration Due
System simulator	R&S	CMU200	110188	Jun. 26, 2025
Combiner Box	Ascentest	AT890-RFB	/	/

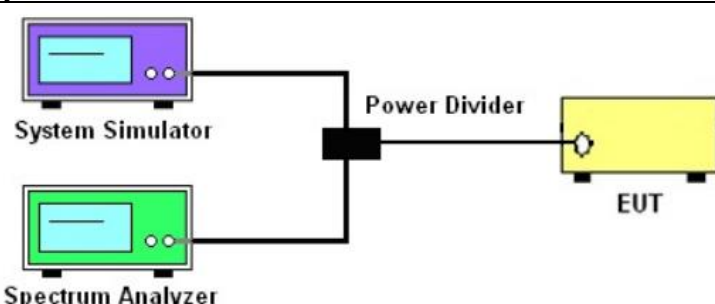
5.1.3. Test data

Conducted Power Measurement Results:

Average Conducted Power (*Unit: dBm)						
Band	WCDMA Band V			WCDMA Band II		
Channel	4132	4182	4233	9262	9400	9538
Frequency(MHz)	826.4	836.4	846.6	1852.4	1880.0	1907.6
WCDMA RMC 12.2K	22.40	23.07	22.88	22.27	22.72	22.03
HSDPA Subtest-1	21.99	22.08	22.08	21.66	21.79	21.71
HSDPA Subtest-2	21.70	21.82	21.76	21.36	21.48	21.43
HSDPA Subtest-3	21.52	21.71	21.61	21.30	21.43	21.37
HSDPA Subtest-4	21.58	21.70	21.62	21.24	21.41	21.36
HSUPA Subtest-1	21.24	21.37	21.38	21.00	21.13	21.03
HSUPA Subtest-2	21.15	21.28	21.20	20.90	21.03	20.95
HSUPA Subtest-3	21.16	20.94	20.96	20.85	20.66	20.63
HSUPA Subtest-4	20.75	20.86	20.86	20.46	20.60	20.51
HSUPA Subtest-5	20.63	20.81	20.77	20.37	20.44	20.42

5.2. Peak to Average Ratio

5.2.1. Test Specification

Test Requirement:	FCC part 24.232(d); FCC part 22.913
Test Method:	ANSI C63.26:2013
Operation mode:	Refer to item 3.1
Limit:	The peak-to-average ratio (PAR) of the transmission may not exceed 13 dB.
Test Setup:	 <p>The diagram illustrates the test setup. On the left, there are two computer monitors: a purple one labeled 'System Simulator' and a green one labeled 'Spectrum Analyzer'. Both are connected to a central black box labeled 'Power Divider'. From the 'Power Divider', a single line connects to a yellow rectangular device on the right labeled 'EUT' (Equipment Under Test).</p>
Test Procedure:	<ol style="list-style-type: none"> 1. The testing follows FCC KDB 971168 D01v03r01 Section 5.7.1. 2. The EUT was connected to spectrum analyzer and system simulator via a power divider. 3. Set EUT to transmit at maximum output power. 4. For GSM/EGPRS operating modes, signal gating is implemented on the spectrum analyzer by triggering from the system simulator. 5. Set the CCDF (Complementary Cumulative Distribution Function) option of the spectrum analyzer. Record the maximum PAPR level associated with a probability of 0.1%.
Test Result:	PASS

5.2.2. Test Instruments

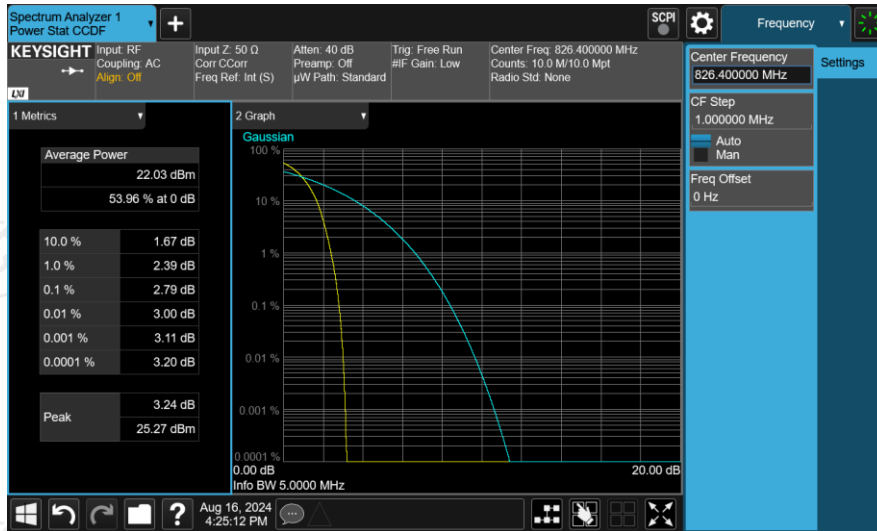
Equipment	Manufacturer	Model	Serial Number	Calibration Due
System simulator	R&S	CMU200	110188	Jun. 26, 2025
Spectrum Analyzer	Agilent	N9020B	MY50030427	Jun. 26, 2025
Combiner Box	Ascentest	AT890-RFB	/	/

5.2.3. Test Data

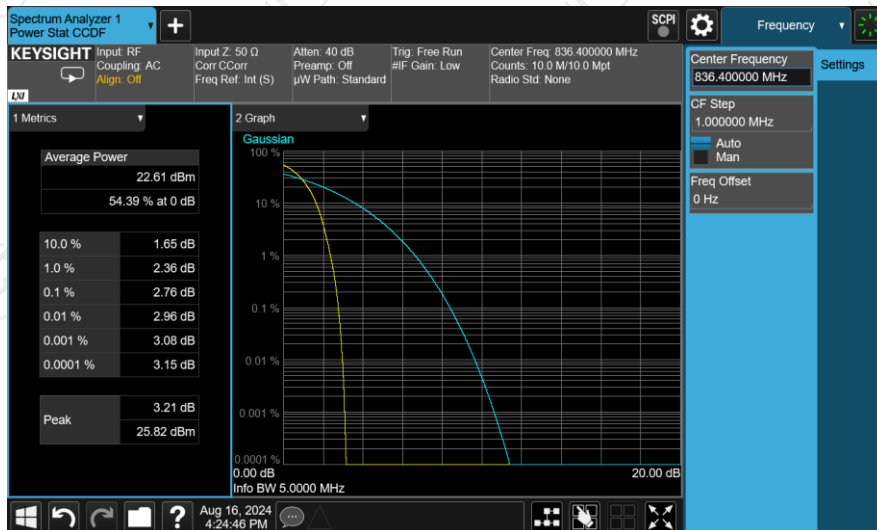
Mode	WCDMA Band V (RMC 12.2Kbps)			WCDMA Band II (RMC 12.2Kbps)		
	Channel	4132	4182	4233	9262	9400
Frequency (MHz)	826.4	836.4	846.6	1852.4	1880	1907.6
Peak-to-Average Ratio (dB)	2.79	2.76	2.77	3.05	3.01	3.04

Test plots as follows:

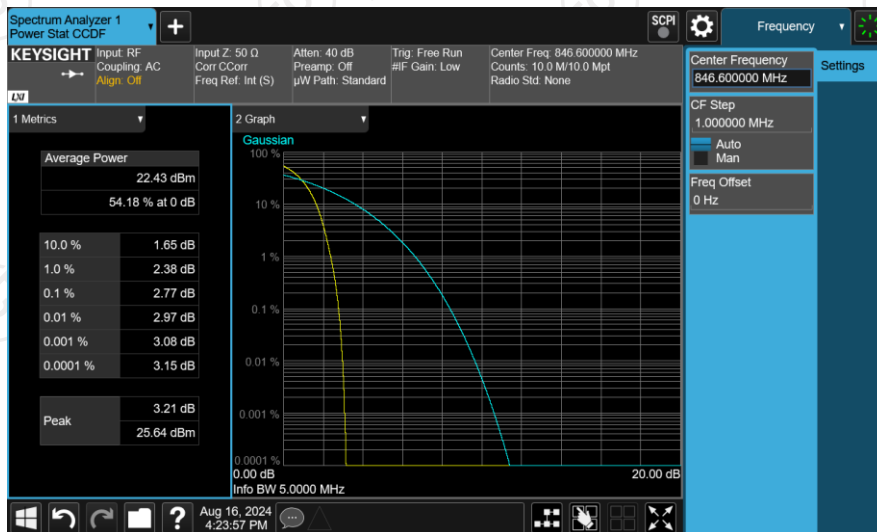
Peak-to-Average Ratio on Channel 4132



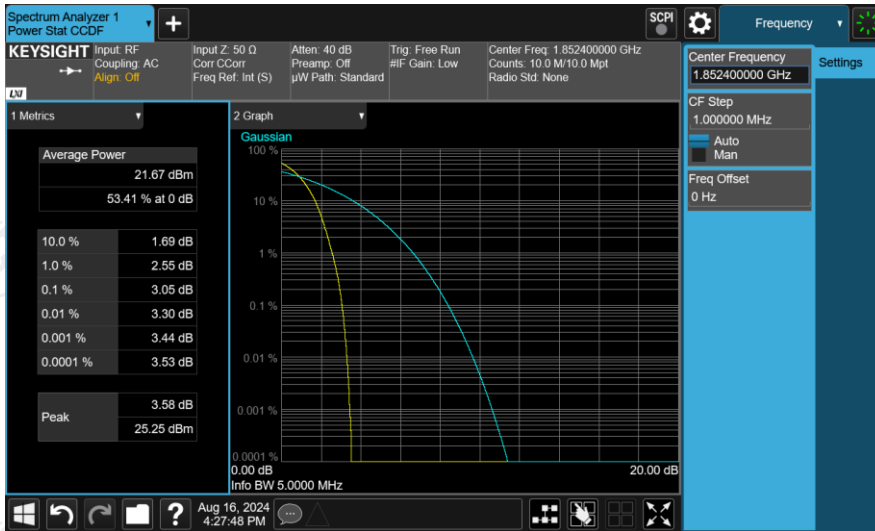
Peak-to-Average Ratio on Channel 4182



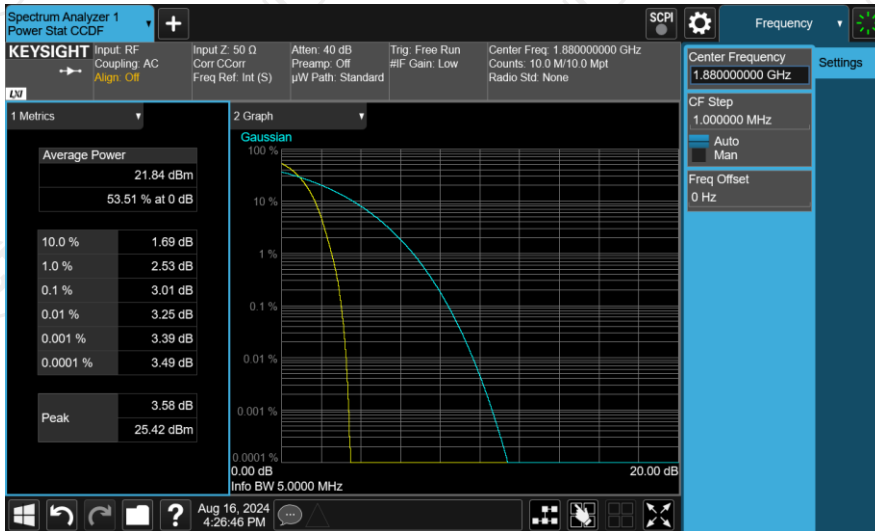
Peak-to-Average Ratio on Channel 4233



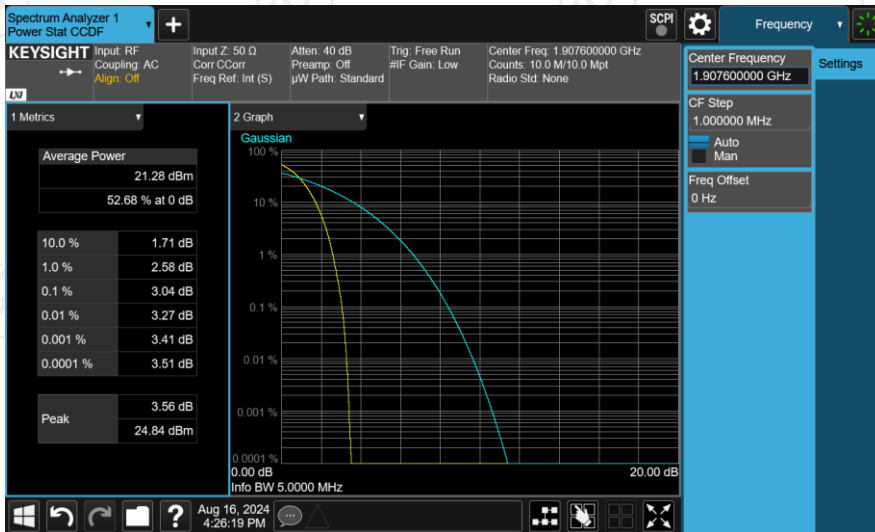
Peak-to-Average Ratio on Channel 9262



Peak-to-Average Ratio on Channel 9400

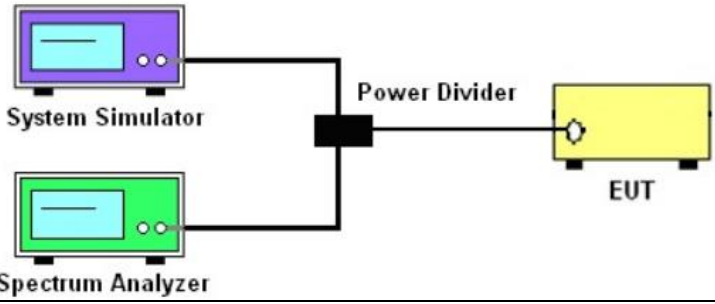


Peak-to-Average Ratio on Channel 9538



5.3. 99% Occupied Bandwidth and 26dB Bandwidth Measurement

5.3.1. Test Specification

Test Requirement:	FCC part 2.1049
Test Method:	FCC KDB 971168 D01v03r01
Operation mode:	Refer to item 3.1
Limit:	N/A
Test Setup:	 <p>The diagram illustrates the test setup. On the left, there are two pieces of equipment: a System Simulator (top, purple) and a Spectrum Analyzer (bottom, green). Both are connected to a central Power Divider (black). The Power Divider is then connected to an EUT (Equipment Under Test, yellow) on the right.</p>
Test Procedure:	<ol style="list-style-type: none"> 1. The testing follows FCC KDB 971168 D01v03r01 Section 4.2. 2. The EUT was connected to the spectrum analyzer and system simulator via a power divider. 3. The RF output of the EUT was connected to the spectrum analyzer by RF cable and attenuator. The path loss was compensated to the results for each measurement. 4. The 99% occupied bandwidth were measured, set RBW= 1% of span, VBW= 3*RBW, sample detector, trace maximum hold. 5. The 26dB bandwidth were measured, set RBW= 1% of EBW, VBW= 3*RBW, peak detector, trace maximum hold.
Test Result:	PASS

5.3.2. Test Instruments

Equipment	Manufacturer	Model	Serial Number	Calibration Due
System simulator	R&S	CMU200	110188	Jun. 26, 2025
Spectrum Analyzer	Agilent	N9020B	MY50030427	Jun. 26, 2025
Combiner Box	Ascentest	AT890-RFB	/	/

5.3.3. Test data

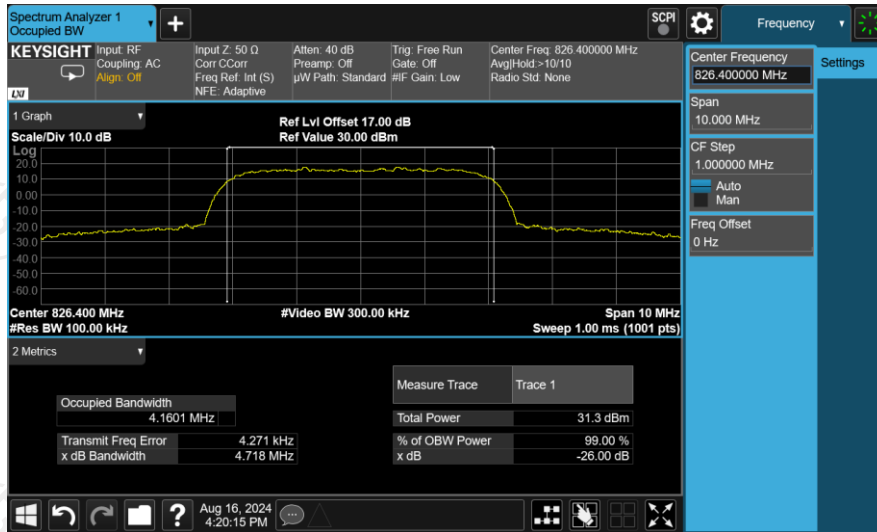
Cellular Band			
Mode	WCDMA Band V (RMC 12.2Kbps)		
Channel	4132	4182	4233
Frequency (MHz)	826.4	836.4	846.6
99% OBW (MHz)	4.16	4.16	4.16
26dB BW (MHz)	4.72	4.70	4.70

Cellular Band			
Mode	WCDMA Band II (RMC 12.2Kbps)		
Channel	9262	9400	9538
Frequency (MHz)	1852.4	1880	1907.6
99% OBW (MHz)	4.14	4.15	4.14
26dB BW (MHz)	4.68	4.69	4.67

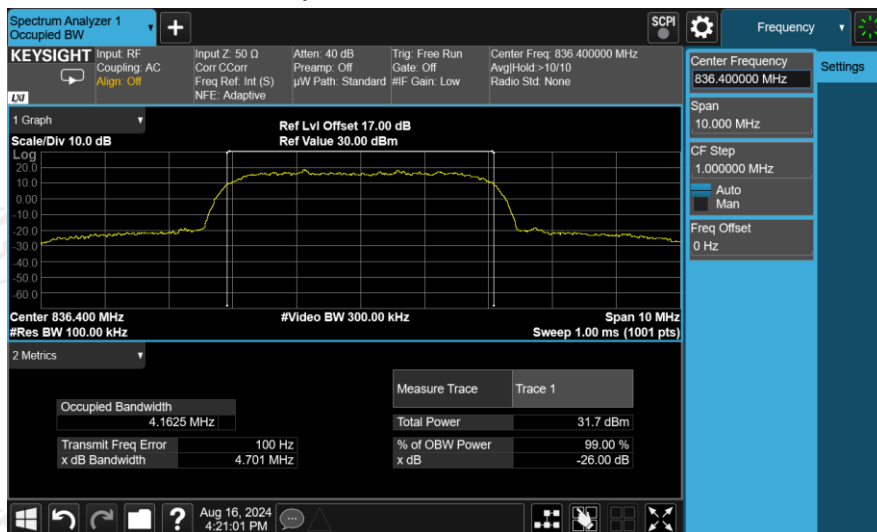
Test plots as follows:

Band: WCDMA Band V Test Mode: RMC 12.2Kbps Link (QPSK)

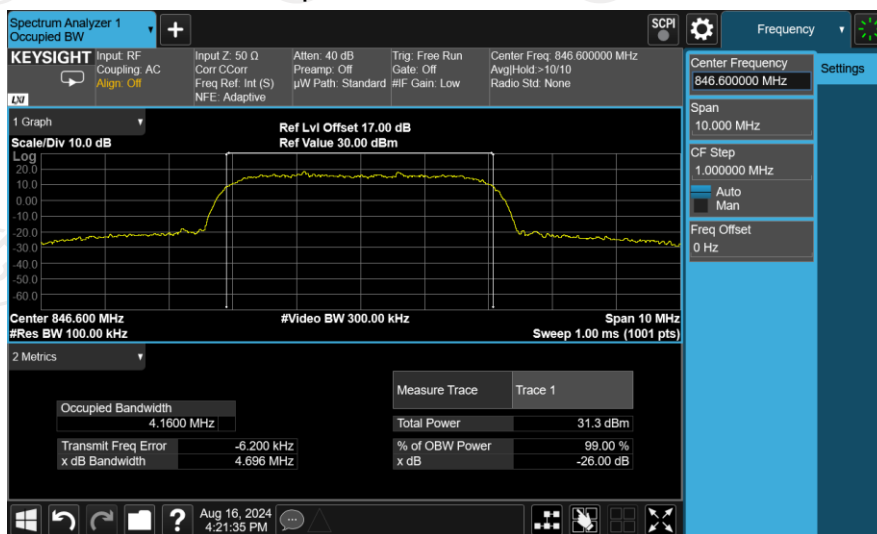
26dB&99% Occupied Bandwidth Plot on Channel 4132



26dB&99% Occupied Bandwidth Plot on Channel 4182

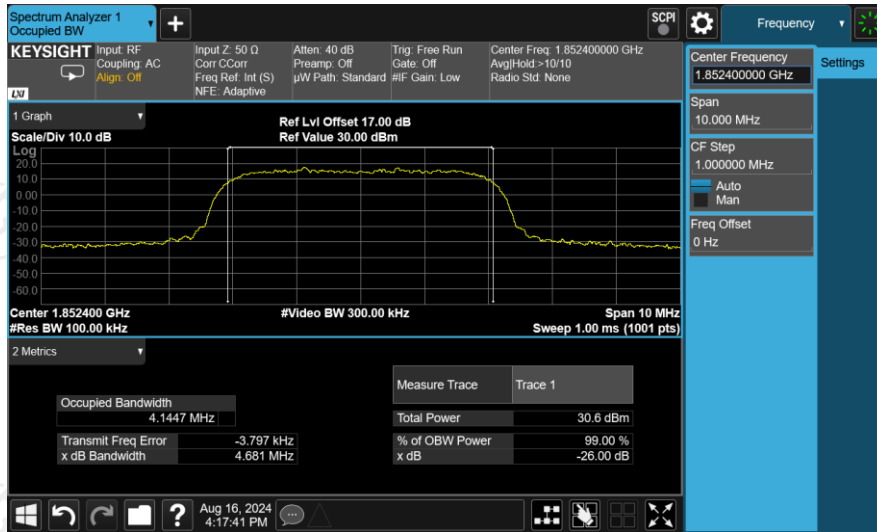


26dB&99% Occupied Bandwidth Plot on Channel 4233

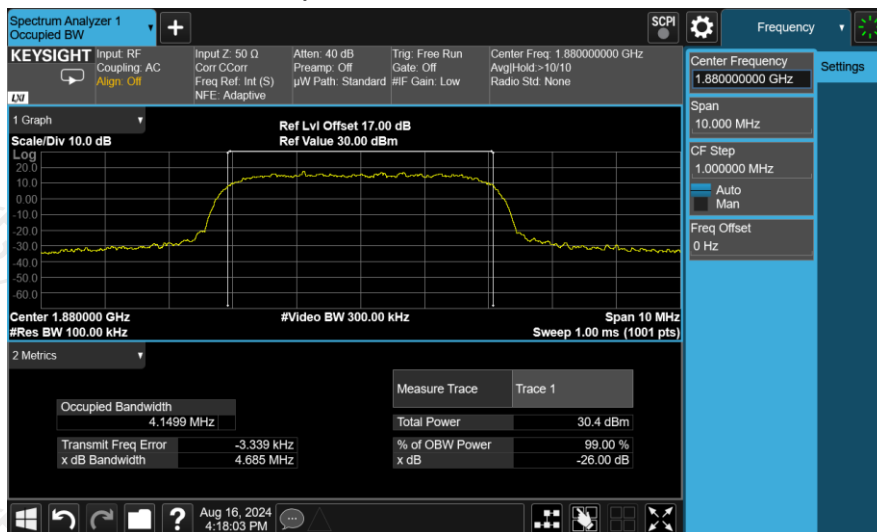


Band: WCDMA Band II Test Mode: RMC 12.2Kbps Link (QPSK)

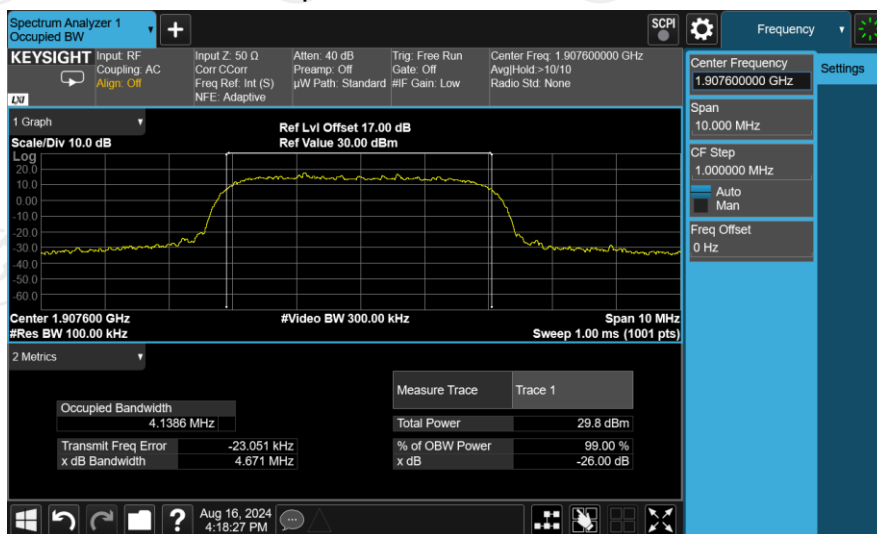
26dB&99% Occupied Bandwidth Plot on Channel 9262



26dB&99% Occupied Bandwidth Plot on Channel 9400



26dB&99% Occupied Bandwidth Plot on Channel 9538



5.4. Band Edge and Conducted Spurious Emission Measurement

5.4.1. Test Specification

Test Requirement:	FCC part22.917(a) and FCC part24.238(a)
Test Method:	FCC KDB 971168 D01v03r01
Operation mode:	Refer to item 3.1
Limit:	-13dBm
Test Setup:	
Test Procedure:	<ol style="list-style-type: none"> 1. The testing follows FCC KDB 971168 D01v03r01 Section 6.0. 2. The EUT was connected to the spectrum analyzer and system simulator via a power divider. 3. The RF output of EUT was connected to the spectrum analyzer by an RF cable and attenuator. The path loss was compensated to the results for each measurement. 4. The band edges of low and high channels for the highest RF powers were measured. 5. The conducted spurious emission for the whole frequency range was taken. 6. The RF fundamental frequency should be excluded against the limit line in the operating frequency band. 7. The limit line is derived from $43 + 10\log(P)$ dB below the transmitter power $P(\text{Watts}) = P(\text{W}) - [43 + 10\log(P)] (\text{dB}) = [30 + 10\log(P)] (\text{dBm}) - [43 + 10\log(P)] (\text{dB}) = -13\text{dBm}$.
Test Result:	PASS

5.4.2. Test Instruments

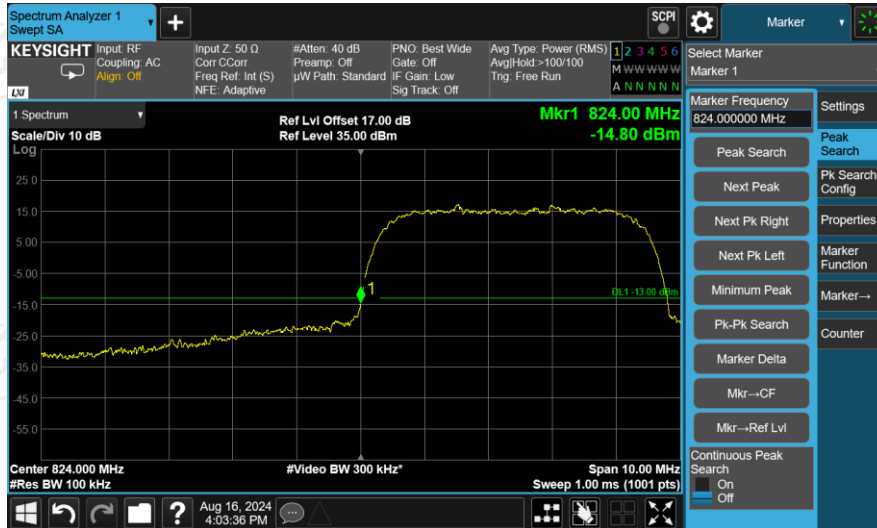
Equipment	Manufacturer	Model	Serial Number	Calibration Due
System simulator	R&S	CMU200	110188	Jun. 26, 2025
Spectrum Analyzer	Agilent	N9020B	MY50030427	Jun. 26, 2025
Combiner Box	Ascentest	AT890-RFB	/	/

5.4.3. Test data

Test plots as follows:

Band:	WCDMA Band V	Test Mode:	RMC 12.2Kbps Link (QPSK)
-------	--------------	------------	--------------------------

Lower Band Edge Plot on Channel 4132

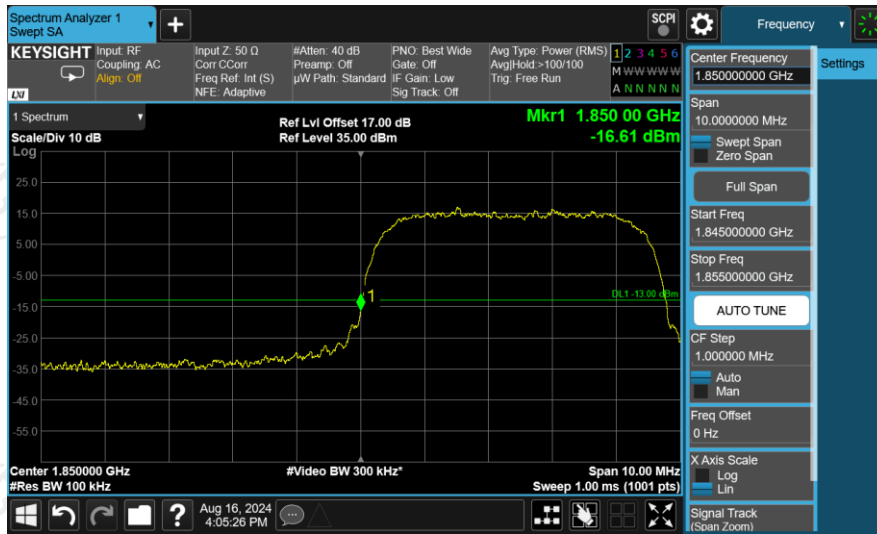


Higher Band Edge Plot on Channel 4233

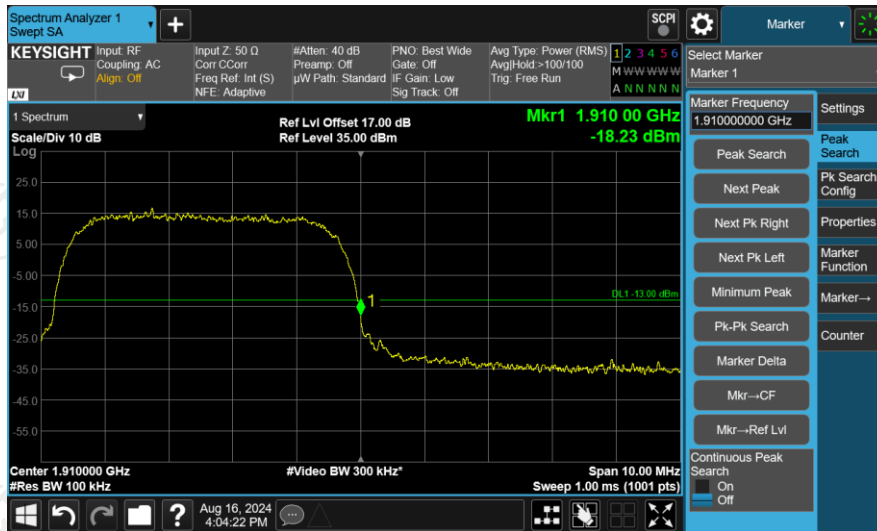


Band:	WCDMA Band II	Test Mode:	RMC 12.2Kbps Link (QPSK)
-------	---------------	------------	--------------------------

Lower Band Edge Plot on Channel 9262



Higher Band Edge Plot on Channel 9538



Band:	WCDMA Band V	Test Mode:	RMC 12.2Kbps Link (QPSK)
-------	--------------	------------	--------------------------

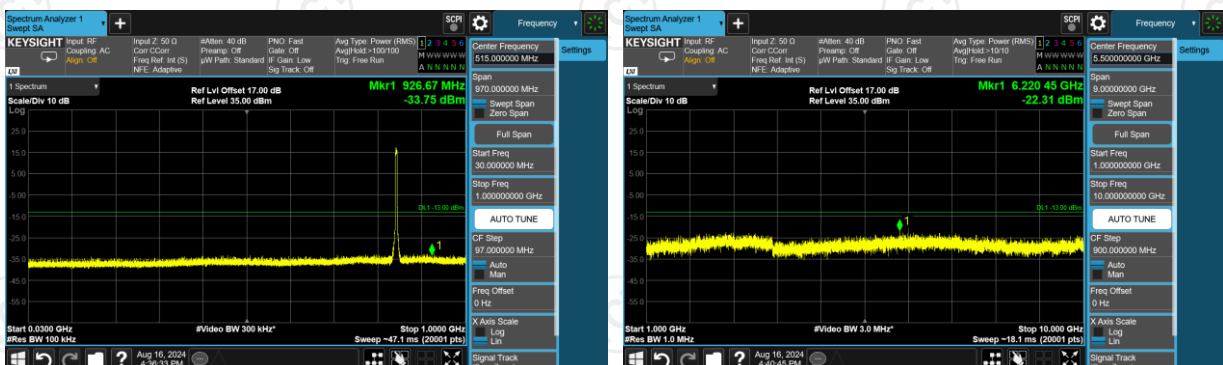
Conducted Spurious Emission on Channel 4132



Conducted Spurious Emission on Channel 4182

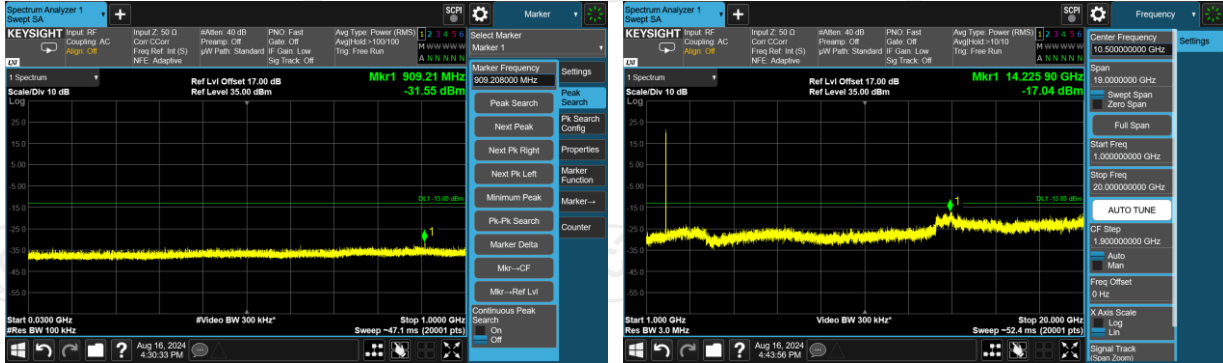


Conducted Spurious Emission on Channel 4233

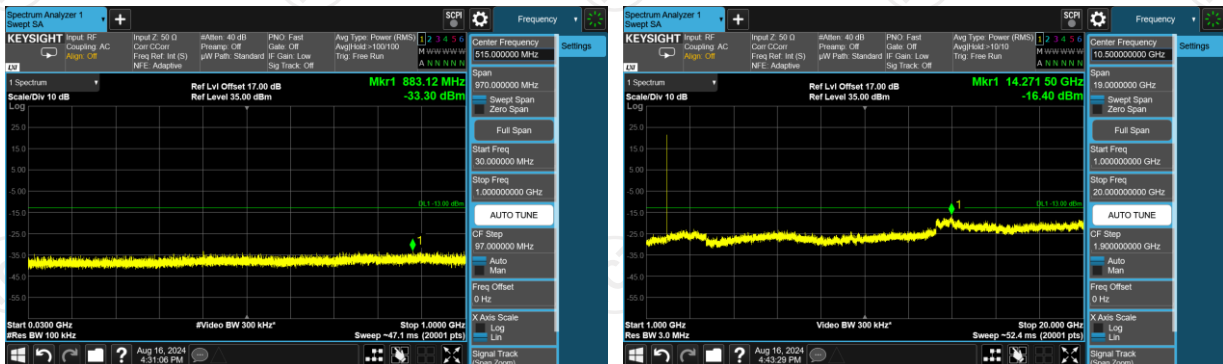


Band:	WCDMA Band II	Test Mode:	RMC 12.2Kbps Link (QPSK)
-------	---------------	------------	--------------------------

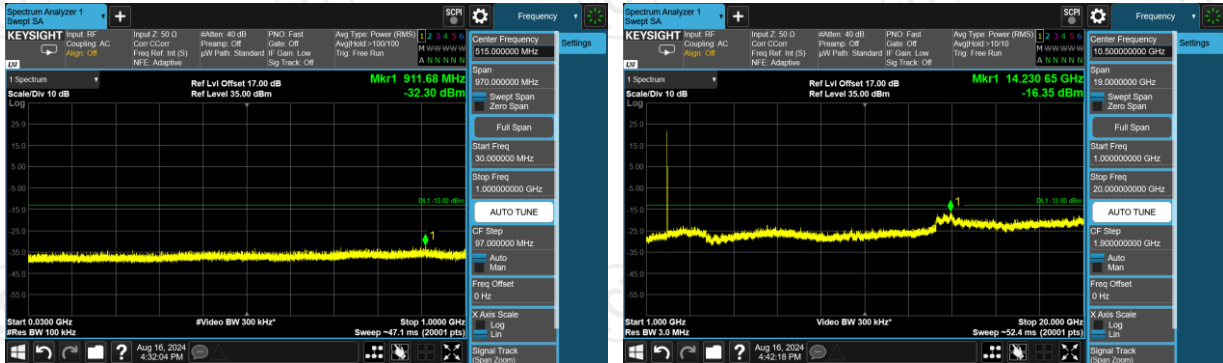
Conducted Spurious Emission on Channel 9262



Conducted Spurious Emission on Channel 9400



Conducted Spurious Emission on Channel 9538



WCDMA Band II(RMC 12.2Kbps) Conducted Spurious Emission for Below 1G

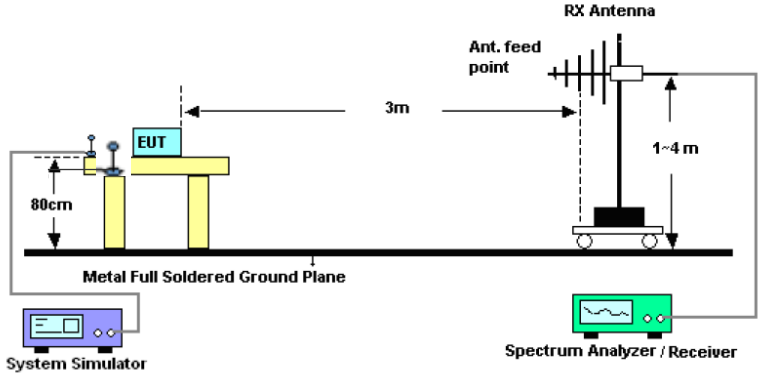
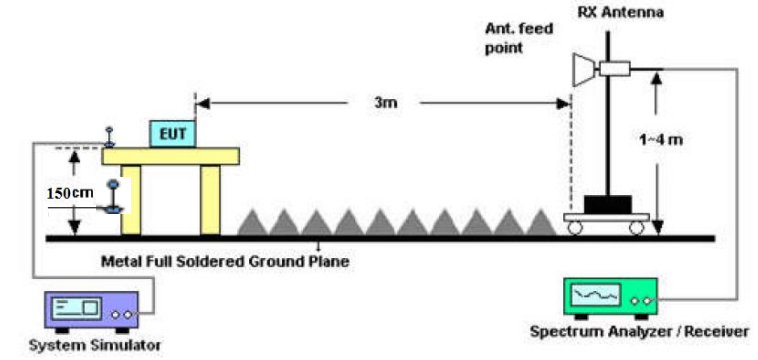
Channel	RBW (KHz)	Test result (dBm)	RBW (MHz)	Calculate result (dBm)	Limit (-13dBm)
9262	100	-31.55	1	-21.55	Pass
9400	100	-33.30	1	-23.30	Pass
9538	100	-32.30	1	-22.30	Pass

Compensate 10dB is for Exchange rate of RBW

Exchange rate of RBW = $10 \cdot \log_{10}(\text{Reference bandwidth}/\text{RBW at measurement}) = 10[\text{dB}]$
where Reference bandwidth = 1 MHz

5.5. Effective Radiated Power and Effective Isotropic Radiated Power Measurement

5.5.1. Test Specification

Test Requirement:	FCC part 22.913(a) and FCC part 24.232(c)	
Test Method:	FCC KDB 971168 D01v03r01	
Receiver Setup:	WCDMA/HSPA	
	SPAN	10MHz
	RBW	100kHz
	VBW	300kHz
	Detector	RMS
	Trace	Average
	Average Type	Power
Sweep Count	100	
Limit:	WCDMA Band V: 7W ERP WCDMA Band II: 2W EIRP	
Test Setup:	From 30MHz to 1GHz 	
	Above 1GHz 	
Test Procedure:	<ol style="list-style-type: none"> 1. The testing follows FCC KDB 971168 D01v03r01 Section 5.8. and ANSI / TIA-603-D-2010 Section 2.2.17. 2. The EUT was placed on a non-conductive rotating 	

	<p>platform 0.8 meters high in a semi-anechoic chamber. The radiated emission at the fundamental frequency was measured at 3 m with a test antenna and a spectrum analyzer with RMS detector per section 5. of KDB 971168 D01v03.</p> <ol style="list-style-type: none"> 3. Key the transmitter, then rotate the EUT 360° azimuthally and record spectrum analyzer power level (LVL) measurements at angular increments that are sufficiently small to permit resolution of all peaks. If a standard radiation test site is used, raise and lower the test antenna to obtain a maximum reading at each angular increment. 4. Replace the transmitter under test with a substitution antenna. The center of the antenna should be at the same location as the center of the antenna under test. 5. Connect the antenna to a signal generator with a known output power and record the path loss (in dB) as LOSS. If a standard radiation test site is used, raise and lower the test antenna to obtain a maximum reading. LOSS = Generator Output Power (dBm) – Analyzer reading (dBm) 6. Determine the effective radiated output power at each angular position from the readings in steps 3) and 5) using the following equation: ERP (dBm) = LVL (dBm) + LOSS (dB) 7. The maximum ERP is the maximum value determined in the preceding step. 8. Calculating ERP: ERP (dBm) = Output Power (dBm) - Losses (dB) + Antenna Gain (dBd) Antenna Gain (dBd) = Antenna Gain (dBi) - 2.15 EIRP = ERP + 2.15
Test results:	PASS

5.5.2. Test Instruments

Radiated Emission Test Site (966)				
Name of Equipment	Manufacturer	Model	Serial Number	Calibration Due
Universal Radio Communication Tester	R&S	CMU200	110188	Jun. 26, 2025
Spectrum Analyzer	R&S	FSQ40	200061	Jun. 26, 2025
Signal Generator	Agilent	N5173B	MY58108823	Jan. 31, 2025
Broadband Antenna	Schwarzbeck	VULB9163	340	Jun. 28, 2025
Horn Antenna	Schwarzbeck	BBHA 9120D	631	Jun. 28, 2025
Broadband Antenna	Schwarzbeck	VULB9163	412	Jun. 28, 2025
Horn Antenna	Schwarzbeck	BBHA 9120D	1201	Jun. 28, 2025
Horn Antenna	Schwarzbeck	BBHA 9170	00956	Feb. 02, 2025
Coaxial cable	SKET	RE-03-D	/	Jun. 26, 2025
Coaxial cable	SKET	RE-03-M	/	Jun. 26, 2025
Coaxial cable	SKET	RE-03-L	/	Jun. 26, 2025
Coaxial cable	SKET	RE-04-D	/	Jun. 26, 2025
Coaxial cable	SKET	RE-04-M	/	Jun. 26, 2025
Coaxial cable	SKET	RE-04-L	/	Jun. 26, 2025
Antenna Mast	Keleto	RE-AM	/	/
EMI Test Software	EZ EMC	FA-03A2 RE+	1.1.4.2	/

5.5.3. Test Data

Test Result of ERP

WCDMA Band V (RMC 12.2Kbps) Radiated Power ERP					
Horizontal Polarization (Antenna Pol.)					
Frequency (MHz)	(EUT Pol.)	LVL (dBm)	Correction Factor (dB)	ERP (dBm)	ERP (W)
826.4	H	0.21	21.66	19.72	0.09
836.6	H	0.38	21.54	19.77	0.09
846.6	H	0.35	21.46	19.66	0.09
Vertical Polarization (Antenna Pol.)					
Frequency (MHz)	(EUT Pol.)	LVL (dBm)	Correction Factor (dB)	ERP (dBm)	ERP (W)
826.4	V	0.22	21.66	19.73	0.09
836.6	V	0.59	21.54	19.98	0.10
846.6	V	0.87	21.46	20.18	0.10

Note: * ERP = LVL (dBm) + Correction Factor (dB) - 2.15
Correction Factor = S.G. Power - Cable loss + Antenna Gain - SPA. Reading

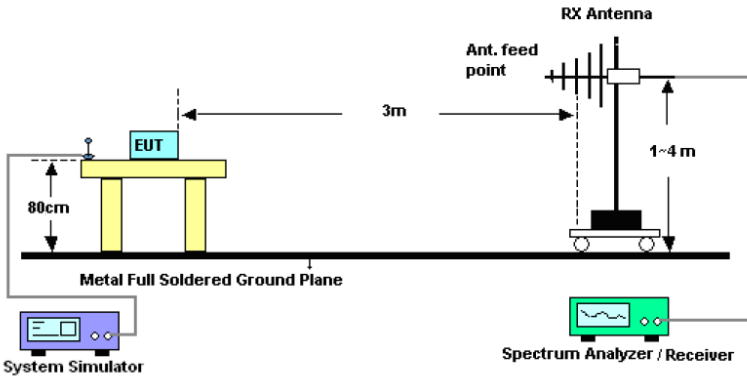
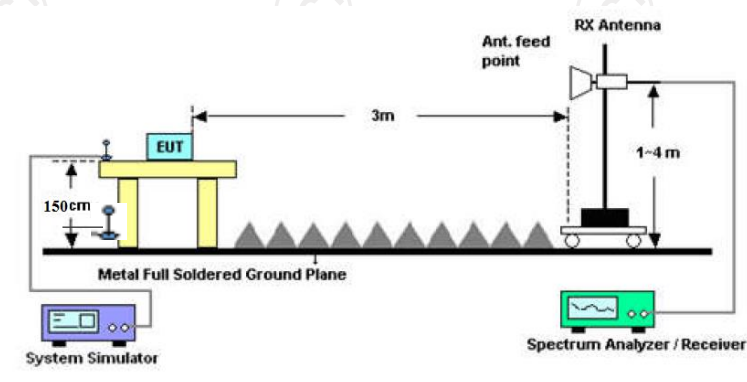
Test Result of EIRP

WCDMA Band II (RMC 12.2Kbps) Radiated Power EIRP					
Horizontal Polarization (Antenna Pol.)					
Frequency (MHz)	(EUT Pol.)	LVL (dBm)	Correction Factor (dB)	EIRP (dBm)	EIRP (W)
1852.4	H	-0.72	21.66	20.94	0.12
1880.0	H	-0.88	21.54	20.66	0.12
1907.6	H	-0.93	21.46	20.53	0.11
Vertical Polarization (Antenna Pol.)					
Frequency (MHz)	(EUT Pol.)	LVL (dBm)	Correction Factor (dB)	EIRP (dBm)	EIRP (W)
1852.4	V	-0.83	21.66	20.83	0.12
1880.0	V	-0.97	21.54	20.57	0.11
1907.6	V	-1.05	21.46	20.41	0.11

Note: * EIRP = LVL (dBm) + Correction Factor (dB)
Correction Factor = S.G. Power - Cable loss + Substitution Antenna Gain - SPA. Reading

5.6. Field Strength of Spurious Radiation Measurement

5.6.1. Test Specification

Test Requirement:	FCC part 22.917(a) and FCC part 24.238(a)
Test Method:	FCC KDB 971168 D01v03r01
Operation mode:	Refer to item 3.1
Limit:	-13dBm
Test setup:	<p>For 30MHz~1GHz</p>  <p>Above 1GHz</p> 
Test Procedure:	<ol style="list-style-type: none"> 1. The testing follows FCC KDB 971168 D01v03r01 Section 6 and ANSI / TIA-603-D-2010 Section 2.2.12. 2. The EUT was placed on a rotatable wooden table 0.8 meters above the ground. 3. The EUT was set 3 meters from the receiving antenna, which was mounted on the antenna tower. 4. The table was rotated 360 degrees to determine the position of the highest spurious emission. 5. The height of the receiving antenna is varied between one meter and four meters to search for the maximum spurious emission for both horizontal and vertical polarizations. 6. Make the measurement with the spectrum analyzer's RBW = 1MHz, VBW = 3MHz, taking record of

	<p>maximum spurious emission.</p> <p>7. A horn antenna was substituted in place of the EUT and was driven by a signal generator.</p> <p>8. Tune the output power of signal generator to the same emission level with EUT maximum spurious emission.</p> <p>9. Taking the record of output power at antenna port.</p> <p>10. Repeat step 7 to step 8 for another polarization.</p> <p>11. EIRP (dBm) = S.G. Power – Tx Cable Loss + Tx Antenna Gain</p> <p>12. ERP (dBm) = EIRP - 2.15</p> <p>13. The RF fundamental frequency should be excluded against the limit line in the operating frequency band.</p> <p>14. The limit line is derived from 43 + 10log(P) dB below the transmitter power P(Watts)</p> <p>= P(W) - [43 + 10log(P)] (dB)</p> <p>= [30 + 10log(P)] (dBm) - [43 + 10log(P)] (dB)</p> <p>= -13dBm.</p>
Test results:	PASS
Remark:	All modulations have been tested, but only the worst modulation show in this test item.

5.6.2. Test Instruments

Radiated Emission Test Site (966)				
Name of Equipment	Manufacturer	Model	Serial Number	Calibration Due
Universal Radio Communication Tester	R&S	CMU200	110188	Jun. 26, 2025
Spectrum Analyzer	R&S	FSQ40	200061	Jun. 26, 2025
Signal Generator	Agilent	N5173B	MY58108823	Jan. 31, 2025
Broadband Antenna	Schwarzbeck	VULB9163	340	Jun. 28, 2025
Horn Antenna	Schwarzbeck	BBHA 9120D	631	Jun. 28, 2025
Broadband Antenna	Schwarzbeck	VULB9163	412	Jun. 28, 2025
Horn Antenna	Schwarzbeck	BBHA 9120D	1201	Jun. 28, 2025
Horn Antenna	Schwarzbeck	BBHA 9170	00956	Feb. 02, 2025
Coaxial cable	SKET	RE-03-D	/	Jun. 26, 2025
Coaxial cable	SKET	RE-03-M	/	Jun. 26, 2025
Coaxial cable	SKET	RE-03-L	/	Jun. 26, 2025
Coaxial cable	SKET	RE-04-D	/	Jun. 26, 2025
Coaxial cable	SKET	RE-04-M	/	Jun. 26, 2025
Coaxial cable	SKET	RE-04-L	/	Jun. 26, 2025
Antenna Mast	Keleto	RE-AM	/	/
EMI Test Software	EZ EMC	FA-03A2 RE+	1.1.4.2	/

5.6.3. Test Data

Frequency Range (9 kHz-30MHz)

Frequency (MHz)	Level@3m (dB μ V/m)	Limit@3m (dB μ V/m)
--	--	--
--	--	--
--	--	--
--	--	--

Note: 1. Emission Level=Reading+ Cable loss+Antenna factor-Amp factor

2. The emission levels are 20 dB below the limit value, which are not reported. It is deemed to comply with the requirement

Band	WCDMA Band V	Test channel:	Lowest
Test mode:	RMC 12.2Kbps Link (QPSK)	Temperature:	25°C
		Relative Humidity:	56%

Note: Spurious emissions within 30-1000MHz were found more than 20dB below limit line.

Frequency (MHz)	Spurious Emission				Limit (dBm)	Result
	Polarization	Level (dBm)	Correction Factor (dB)	Spurious emissions (dBm)		
1652.8	Vertical	-55.20	-6.47	-61.67	-13.00	PASS
2479.2	V	-62.16	-2.84	-65.00		
3305.6	V	-60.67	-0.48	-61.15		
1652.8	Horizontal	-51.89	-6.30	-58.19		
2479.2	H	-62.47	-2.95	-65.42		
3305.6	H	-62.33	-0.10	-62.43		

Band	WCDMA Band V	Test channel:	Middle
Test mode:	RMC 12.2Kbps Link (QPSK)	Temperature:	25°C
		Relative Humidity:	56%

Note: Spurious emissions within 30-1000MHz were found more than 20dB below limit line.

Frequency (MHz)	Spurious Emission				Limit (dBm)	Result
	Polarization	Level (dBm)	Correction Factor (dB)	Spurious emissions (dBm)		
1672.8	Vertical	-51.65	-6.46	-58.11	-13.00	PASS
2509.2	V	-60.64	-2.75	-63.39		
3345.6	V	-62.84	-0.47	-63.31		
1672.8	Horizontal	-50.54	-6.32	-56.86		
2509.2	H	-63.10	-2.86	-65.96		
3345.6	H	-61.12	-0.10	-61.22		

Band	WCDMA Band V	Test channel:	Highest
Test mode:	RMC 12.2Kbps Link (QPSK)	Temperature:	25°C
		Relative Humidity:	56%

Note: Spurious emissions within 30-1000MHz were found more than 20dB below limit line.

Frequency (MHz)	Spurious Emission				Limit (dBm)	Result
	Polarization	Level (dBm)	Correction Factor (dB)	Spurious emissions (dBm)		
1693.2	Vertical	-56.16	-6.45	-62.61	-13.00	PASS
2539.8	V	-62.32	-2.65	-64.97		
3386.4	V	-66.35	-0.47	-66.82		
1693.2	Horizontal	-51.57	-6.35	-57.92		
2539.8	H	-61.52	-2.74	-64.26		
3386.4	H	-65.77	-0.11	-65.88		

Band	WCDMA Band II	Test channel:	Lowest
Test mode:	RMC 12.2Kbps Link (QPSK)	Temperature:	25°C
		Relative Humidity:	56%

Note: Spurious emissions within 30-1000MHz were found more than 20dB below limit line.

Frequency (MHz)	Spurious Emission				Limit (dBm)	Result
	Polarization	Level (dBm)	Correction Factor (dB)	Spurious emissions (dBm)		
3704.8	Vertical	-51.23	0.94	-50.29	-13.00	PASS
5557.2	V	-64.14	6.89	-57.25		
7409.6	V	-65.82	10.39	-55.43		
3704.8	Horizontal	-53.93	1.93	-52.00		
5557.2	H	-61.70	7.39	-54.31		
7409.6	H	-66.52	10.01	-56.51		

Band	WCDMA Band II	Test channel:	Middle
Test mode:	RMC 12.2Kbps Link (QPSK)	Temperature:	25°C
		Relative Humidity:	56%

Note: Spurious emissions within 30-1000MHz were found more than 20dB below limit line.

Frequency (MHz)	Spurious Emission				Limit (dBm)	Result
	Polarization	Level (dBm)	Correction Factor (dB)	Spurious emissions (dBm)		
3760.0	Vertical	-61.69	1.32	-60.37	-13.00	PASS
5640.0	V	-65.10	7.21	-57.89		
7520.0	V	-54.43	10.43	-44.00		
3760.0	Horizontal	-61.19	2.48	-58.71		
5640.0	H	-65.23	7.63	-57.60		
7520.0	H	-63.68	10.03	-53.65		

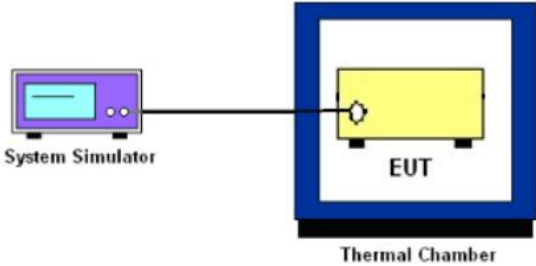
Band	WCDMA Band II	Test channel:	Highest
Test mode:	RMC 12.2Kbps Link (QPSK)	Temperature:	25°C
		Relative Humidity:	56%

Note: Spurious emissions within 30-1000MHz were found more than 20dB below limit line.

Frequency (MHz)	Spurious Emission				Limit (dBm)	Result
	Polarization	Level (dBm)	Correction Factor (dB)	Spurious emissions (dBm)		
3815.2	Vertical	-54.36	1.69	-52.67	-13.00	PASS
5722.8	V	-66.57	7.52	-59.05		
7630.4	V	-67.15	10.57	-56.58		
3815.2	Horizontal	-53.91	3.03	-50.88		
5722.8	H	-61.74	7.87	-53.87		
7630.4	H	-66.51	10.31	-56.20		

5.7. Frequency Stability Measurement

5.7.1. Test Specification

Test Requirement:	FCC Part 2.1055 ; FCC Part 22.355 ; FCC Part 24.235
Test Method:	FCC KDB 971168 D01v03r01
Operation mode:	Refer to item 3.1
Limit:	FCC Part 22.355 : ± 2.5 ppm FCC Part 24.235 : The frequency stability shall be sufficient to ensure that the fundamental emission stays within the authorized frequency block.
Test Setup:	 <p>The diagram illustrates the test setup. On the left, a purple box labeled 'System Simulator' is connected by a black line to a yellow box labeled 'EUT' (Equipment Under Test). The EUT is positioned inside a blue square frame labeled 'Thermal Chamber'.</p>
Test Procedure:	<p>Test Procedures for Temperature Variation</p> <ol style="list-style-type: none"> 1. The testing follows FCC KDB 971168 D01v03r01 Section 9.0. 2. The EUT was set up in the thermal chamber and connected with the system simulator. 3. With power OFF, the temperature was decreased to -30°C and the EUT was stabilized before testing. Power was applied and the maximum change in frequency was recorded within one minute. 4. With power OFF, the temperature was raised in 10°C steps up to 50°C. The EUT was stabilized at each step for at least half an hour. Power was applied and the maximum frequency change was recorded within one minute. <p>Test Procedures for Voltage Variation</p> <ol style="list-style-type: none"> 1. The testing follows FCC KDB 971168 D01v03r01 Section 9.0. 2. The EUT was placed in a temperature chamber at $25\pm 5^{\circ}\text{C}$ and connected with the system simulator. 3. The power supply voltage to the EUT was varied from BEP to 115% of the nominal value measured at the input to the EUT. 4. The variation in frequency was measured for the worst case.
Test Result:	PASS
Remark:	All three channels of all modulations have been tested, but only the worst channel and the worst modulation show in this test item.

5.7.2. Test Instruments

Equipment	Manufacturer	Model	Serial Number	Calibration Due
Universal Radio Communication Tester	R&S	CMU200	110188	Jun. 26, 2025
Programable tempratuce and humidity chamber	JQ	JQ-2000	/	Jun. 26, 2025
DC power supply	Kingrang	KR3005K	/	Jun. 26, 2025
Combiner Box	AT890-RFB	Ascentest	/	/

5.7.3. Test Data

Test Result of Temperature Variation

Band:	WCDMA Band V	Channel:	4182
Limit (ppm):	2.5	Frequency:	836.4MHz
Temperature (°C)	RMC 12.2Kbps Deviation (ppm)		Result
50	0.023		PASS
40	0.019		
30	0.017		
20	0.015		
10	0.014		
0	0.018		
-10	0.020		
-20	0.023		
-30	0.024		

Band:	WCDMA Band II	Channel:	9400
Limit (ppm):	Note	Frequency:	1880MHz
Temperature (°C)	RMC 12.2Kbps Deviation (ppm)		Result
50	0.023		PASS
40	0.017		
30	0.016		
20	0.015		
10	0.016		
0	0.017		
-10	0.020		
-20	0.021		
-30	0.022		

Note: The frequency fundamental emissions stay within the authorized frequency block based on the frequency deviation measured is small.

Test Result of Voltage Variation

Band & Channel	Mode	Voltage (Volt)	Deviation (ppm)	Limit (ppm)	Result
WCDMA Band V CH4182	RMC 12.2Kbps	4.2	-0.012	2.5	PASS
		3.7	-0.013		
		BEP	-0.015		
WCDMA Band II CH9400	RMC 12.2Kbps	4.2	-0.014	(Note 3.)	
		3.7	-0.016		
		BEP	-0.017		

Note:

1. Normal Voltage = 3.7V.
2. Battery End Point (BEP) = 3.3V.
3. The frequency fundamental emissions stay within the authorized frequency block based on the frequency deviation measured is small.

Appendix B: Photographs of Test Setup

Please refer to document Appendix No.: TCT240801E014-A

Appendix C: Photographs of EUT

Please refer to document Appendix No.: TCT240801E014-B & TCT240801E014-C

*******END OF REPORT*******