

GODOX设计文件图注

项目名称	Litemons LED摄影灯		
项目类型	<input type="checkbox"/> 彩盒 <input type="checkbox"/> 彩卡 <input type="checkbox"/> 白盒 <input type="checkbox"/> 贴纸 <input checked="" type="checkbox"/> 说明书 <input type="checkbox"/> 内托 <input type="checkbox"/> 胶盒 <input type="checkbox"/> 吸塑 <input type="checkbox"/> 其他:		
产品料号	705-LA15D0-00	版本	A
展开尺寸(mm)		成品尺寸(mm)	100*140mm
尺寸公差	± 2mm		
材质	105G 铜版纸		
工艺说明	骑马钉		
备注/色值	单色, 黑色印刷		
设计师	柳杨	校对	吴水宁

LITEMONS

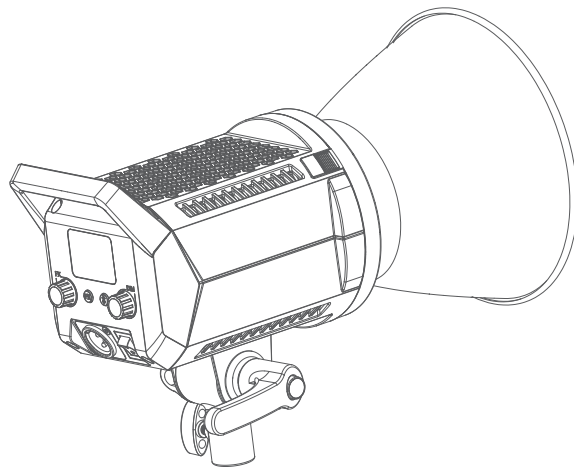
Litemons LED Light Litemons LED摄影灯

LA150D LA200D

Litemons Bi-color LED Light Litemons 双色温LED摄影灯

LA150Bi LA200Bi

合格证
QC PASS



深圳市神牛摄影器材有限公司

地址: 深圳市宝安区福海街道塘尾社区耀川工业区厂房2栋
电话: 0755-29609320(8062) 传真: 0755-25723423 邮箱: godox@godox.com

GODOX Photo Equipment Co., Ltd.

Add.: Building 2, Yaochuan Industrial Zone, Tangwei Community, Fuhai Street, Bao'an District, Shenzhen 518103, China Tel: +86-755-29609320(8062)
Fax: +86-755-25723423 E-mail: godox@godox.com

godox.com Made in China



Instruction Manual 说明书册

前言

感谢您购买LitemonsLED摄影灯!

Litemons全新推出高性价比LED灯。LA150D/LA200D为单色温版, LA150Bi/LA200Bi为双色温版。灯具小巧易携,磨砂外壳,质感优越。拥有高亮度、高显指、无极调节亮度、蓝牙无线控制、多种模拟光效等诸多产品特性。标准工业保荣卡口,能够与现有的保荣卡口灯光附件通用,根据不同的场合,搭配不同附件使用,创造出令人惊叹的控光效果。该灯适用于人物采访、电商直播、短视频拍摄、静物拍摄等拍摄场景。

主要特点

LA150Bi/LA200Bi拥有11种FX光效模式(LA150D/LA200D拥有8种),能够模拟真实光效场景,创意无限。

亮度无极调节,精准用光,调节范围:0%-100%。

通用工业保荣卡口,兼容更多实用灯光附件,交互性强。

支持蓝牙APP控制,操作便捷易用。

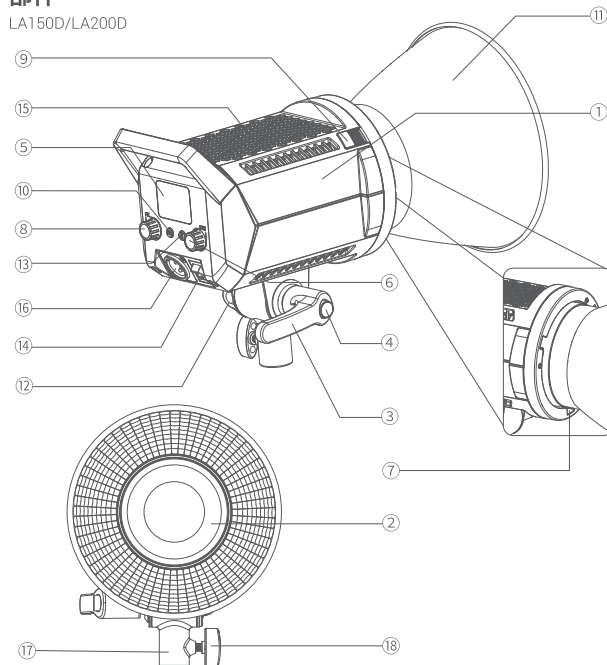
双色版(LA150Bi/LA200Bi)支持冷暖色温(2800K-6500K)调节。

警告

- ⚠ 使用器材时,应始终遵循基本的安全预防措施,具体如下:使用前,请阅读并理解所有说明。
- ⚠ 儿童请勿靠近或使用该设备,当儿童靠近或使用设备时,监护人有必要进行密切监督。在使用过程中,请勿将设备置于无人看管状态。该设备工作时会有发热现象,请小心触摸!
- ⚠ 请勿在电源线损坏的情况下操作设备,请勿私自拆卸产品,如产品出现故障须由本公司或授权的维修人员进行检查维修。
- ⚠ 请放置好电源线,防止操作人员被电源线绊倒,禁止拉扯电源线以免导致设备断电,且电源线不可接触灼热表面。
- ⚠ 在清洁和维修之前,请务必从电源插座上拔下电源插头。不使用时。切勿拉扯电线将插头从插座中拔出。应当抓住插头并拉动拔出。
- ⚠ 该设备没有防水功能,为减少危险,请勿将本产品浸入水中或其他液体。需要维修时,应将其交给本公司或授权的维修人员进行检查维修。不正确的维修行为,可能在随后使用设备时出现触电情况。
- ⚠ 本产品工作时,请勿遮挡散热口,请勿直视COB灯珠;任何情况下请勿触摸COB灯珠。

部件

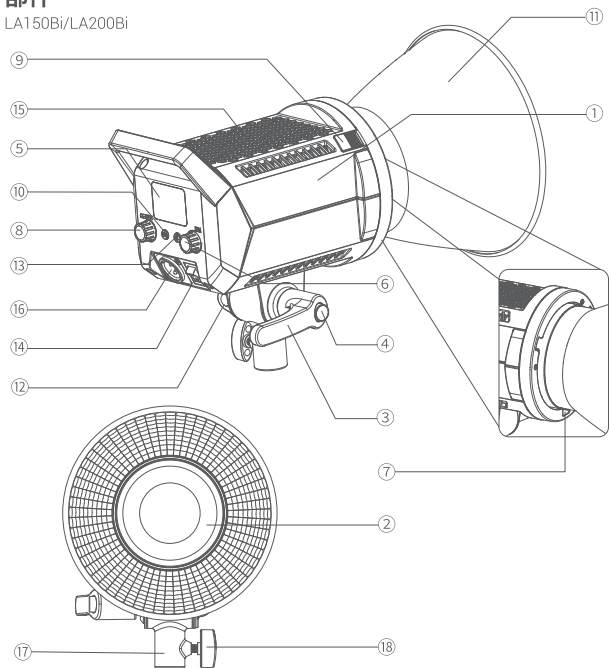
LA150D/LA200D



- | | | | |
|----------|----------|---------|---------|
| 1.灯体 | 6.亮度调节旋钮 | 11.反光罩 | 16.电源插口 |
| 2.LED灯珠 | 7.保荣卡口 | 12.伞孔 | 17.套筒支架 |
| 3.锁定把手 | 8.FX旋钮 | 13.蓝牙按键 | 18.锁定旋钮 |
| 4.方向调节按钮 | 9.卡口推制 | 14.电源开关 | |
| 5.显示屏 | 10.FX按键 | 15.散热孔 | |

部件

LA150Bi/LA200Bi



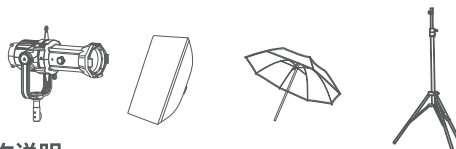
- | | | | |
|----------|------------|---------|---------|
| 1.灯体 | 6.亮度调节旋钮 | 11.反光罩 | 16.电源插口 |
| 2.LED灯珠 | 7.保荣卡口 | 12.伞孔 | 17.套筒支架 |
| 3.锁定把手 | 8.CCT/FX旋钮 | 13.蓝牙按键 | 18.锁定旋钮 |
| 4.方向调节按钮 | 9.卡口推制 | 14.电源开关 | |
| 5.显示屏 | 10.FX按键 | 15.散热孔 | |

物品清单 (LA150D/LA200D/LA150Bi/LA200Bi)



可选购附件

可搭配本公司以下摄影附件使用, 以获得最佳的拍摄效果和使用体验:
聚光筒、柔光箱、反光伞、灯架等。



操作说明

接通电源

通过DC适配器连接交流电源, 拨动LED灯上电源开关, 实现开机或关机。

模式选择: 色温模式/FX光效模式

1. 色温模式 ((LA150D/LA200D)): 主界面即为色温模式, 显示为5600K。

2. 色温模式 (LA150Bi/LA200Bi): 主界面即为色温模式, 旋转CCT/FX旋钮可进行色温值调节, 左旋-/右旋+, 正常旋转-/+100个单元值, 快速旋转-/+500个单元值。调节范围为2800-6500K。

3. 亮度调节: 旋转亮度调节旋钮进行亮度调节, 左旋-/右旋+, 调节范围为0% -100%。正常旋转1个单元值, 快速旋转10个单元值。

4. FX光效模式 (LA150D/LA200D): 短按FX按键进入或退出光效模式。进入光效模式时显示屏显示FX, 转动FX旋钮选择光效场景。8种FX光效模式可选, 可模拟各种拍摄场景, 轻松实现创意光效。

显示	FX1	FX2	FX3	FX4	FX5	FX6	FX7	FX8
场景	Flash 1	Flash 2	Flash 3	Storm 1	Storm 2	Storm 3	TV	坏灯泡

FX光效模式(LA150Bi/LA200Bi):短按FX按键进入或退出光效模式。进入光效模式后,显示屏显示FX图标,转动CCT/FX旋钮选择可光效场景。11种FX光效模式可选,可模拟各种拍摄场景,轻松实现创意光效。

显示	FX1	FX2	FX3	FX4	FX5	FX6	FX7	FX8	FX9	FX10	FX11
场景	Flash1	Flash2	Flash3	Storm1	Storm2	Storm3	坏灯泡	电视机	蜡烛	火	烟花

蓝牙设置

- 1.查看蓝牙MAC码:短按蓝牙按键,显示屏色温数值变成蓝牙MAC码,再次短按蓝牙按键,蓝牙MAC码消失,恢复主界面正常显示。
- 2.直接扫二维码即可下载“Godox Light”手机APP。(安卓和苹果系统都可以使用)具体操作请参考手机APP“帮助”手册,里面有详情教程。
- 3.蓝牙重置功能:长按2秒蓝牙按键,显示屏上蓝牙图标闪烁,实现蓝牙重置功能,重置完成后图标恢复长亮。

注:首个移动设备(手机或平板电脑)可直接使用APP操控灯体。

- 4.更换其他移动设备(手机或平板电脑)时,灯体进行蓝牙重置后,方可正常使用APP连接。



故障提醒功能

<🌀>亮代表风扇驱动异常,当灯珠过热,<🔥>出现,表示该灯处于过热状态,当超过安全温度,灯灭。

适配器固定说明

适配器扎上固定扎带,用固定钢丝绳穿过扎带,便可把适配器挂在支架上使用。

照度数据

LA150D

色温	测试条件	照度单位	1m	2m	3m
5600K	裸灯	lux	7030	1860	903
		fc	653	172	83.8
	带标罩	lux	84800	17800	7610
		fc	7880	1650	707

LA200D

色温	测试条件	照度单位	1m	2m	3m
5600K	裸灯	lux	8670	2170	1050
		fc	806	201	97.6
	带标罩	lux	101000	20800	8670
		fc	9360	1930	806

LA150Bi

色温	测试条件	测试参数	1m	2m	3m
2800K	裸灯	lux	3020	806	409
		fc	281	74.8	38
3200K		lux	3550	947	483
		fc	329	88	44.9
4300K		lux	5030	1350	688
		fc	468	125	63.9
5600K		lux	5080	1360	695
		fc	472	126	64.5
6500K		lux	4400	1180	600
		fc	409	110	55.7

LA150Bi

色温	测试条件	测试参数	1m	2m	3m
2800K	带标罩	lux	37700	8150	3340
		fc	3500	757	310
3200K		lux	44800	9660	3970
		fc	4170	897	369

4300K	带标罩	lux	64900	13900	5740
		fc	6030	1290	534
5600K		lux	66600	14400	5890
		fc	6190	1340	547
6500K		lux	58300	12400	5150
		fc	5420	1150	479

LA200Bi

色温	测试条件	测试参数	1m	2m	3m
2800K	裸灯	lux	3570	951	478
		fc	331	88.4	44.4
3200K		lux	4350	1160	586
		fc	404	108	54.5
4300K		lux	6850	1840	924
		fc	637	171	85.8
5600K	lux	6970	1870	937	
	fc	647	174	87	
6500K	lux	5630	1510	774	
	fc	523	140	71.9	

LA200Bi

色温	测试条件	测试参数	1m	2m	3m
2800K	标罩	lux	39300	8440	3550
		fc	3650	785	330
3200K		lux	48500	10400	4340
		fc	4510	964	403
4300K		lux	77400	16400	6890
		fc	7190	1520	640
5600K	lux	79200	16800	7030	
	fc	7360	1560	653	
6500K	lux	64300	13600	5670	
	fc	5970	1260	527	

注:上述测试皆在灯体100%亮度下进行。

规格参数

型号	LA150D	LA200D
功率	最大190W	最大230W
输入电压	DC 48V	
色温	5600K	
调光范围	0%-100%	
CRI≈	96	
TLCI≈	97	
光效模式	8种	
控制方式	灯体操控、蓝牙APP控制	
蓝牙传输距离	30m	
工作环境温度	-10 C~40 C	
产品尺寸	205*145*215mm	205*145*215mm
净重≈	1.4kg	1.4kg

LED灯	LA150Bi	LA200Bi
功率	最大190W	最大230W
输入参数	DC 48V	
色温	2800-6500K	
调光范围	0%-100%	
CRI ≈	96	
TLCI ≈	97	
光效模式	11种	
控制方式	灯体操控、蓝牙APP控制	
蓝牙传输距离	30m	
工作环境温度	-10 C~40 C	
产品尺寸	205*145*215mm	205*145*215mm
净重≈	1.4kg	1.4kg

设计和规格如有变更,恕不另行通知。

Foreword

Thank you for purchasing!

Brand new Litemons LED lights: LA150D and LA200D have stable color temperature, while LA150Bi and LA200Bi have adjustable color temperature. These lights are compact and portable, with frosted shell and superior texture. They have high brightness and CRI, stepless brightness adjustment, Bluetooth wireless control, various light effects and etc. The standard Bowens mount is compatible with most optical accessories. These lights are suitable for shooting scenes such as personal interview, e-commerce live broadcast, short video and still life photograph.

Features

various FX light effects (LA150Bi/LA200Bi:11, LA150D/LA200D: 8) can simulate real scenes and bring infinite creations.

Stepless brightness adjustment range from 0% to 100%.

Standard Bowens mount is compatible with most optical accessories.

Support Bluetooth APP control, conveniently operational.

Bi-color version (LA150Bi/LA200Bi) support adjustment of color temperature from 2800K to 6500K.

⚠ Warning

When using your photographic equipment, basic safety precautions should always be followed, including the following:

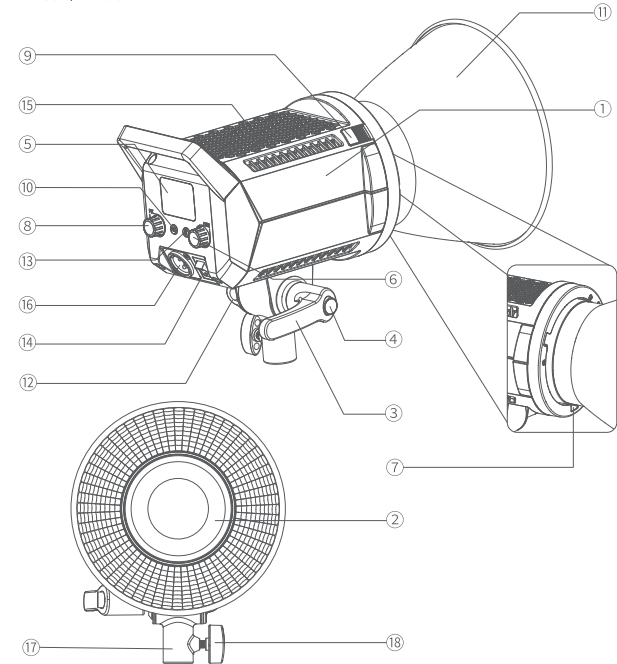
- ⚠ Read and understand all instructions before using.
- ⚠ Close supervision is necessary when any appliance is used by or near children.
Do not leave appliance unattended while in use.
- ⚠ Care must be taken as burns can occur from touching hot parts.
- ⚠ Do not operate appliance with a damaged cord or if the appliance has been dropped or damaged – until it has been examined by a qualified serviceman.
- ⚠ Position the cord so that it will not be tripped over, pulled, or contact hot surfaces.
- ⚠ Always unplug appliance from electrical outlet before cleaning and servicing and when not in use. Never yank cord to pull plug from outlet. Grasp plug and pull to disconnect.
- ⚠ This appliance is not waterproof device. To reduce the risk of electric shock, do not immerse this appliance in water or other liquids.

⚠ Do not disassemble. Should repairs become necessary, this appliance must be sent to an authorized maintenance center. Incorrect maintenance behavior may cause electric shock when the appliance is subsequently used.

⚠ When this appliance is working, please do not cover the Thermovent, and please do not look directly at or touch the COB lamp beads under any circumstances.

Name of Parts

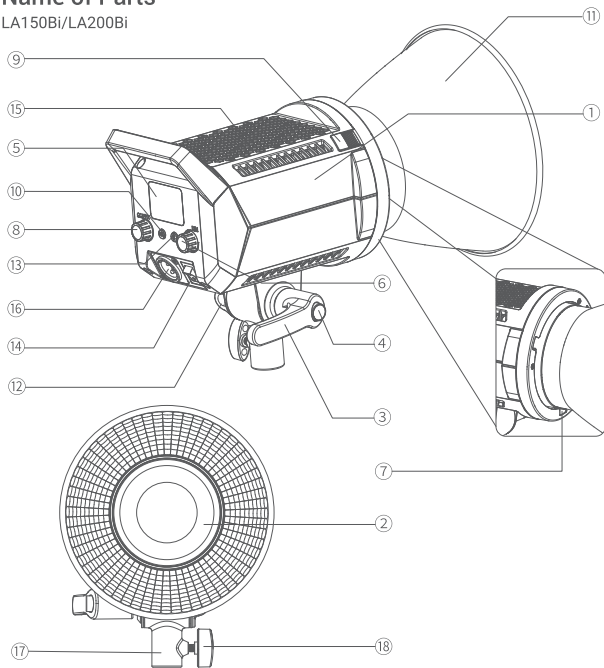
LA150D/LA200D



- | | | |
|-------------------------------|------------------------|---------------------|
| 1.Light Body | 7. Bowens Mount | 13.Bluetooth Button |
| 2.LED Bead | 8.FX Knob | 14. Power Switch |
| 3.Locking Handle | 9. Mount Fixing Pusher | 15. Thermovent |
| 4.Direction Adjustment Button | 10. FX Button | 16. Power Outlet |
| 5.LCD Panel | 11. Reflector | 17. Sleeve Bracket |
| 6.Brightness Adjustment Knob | 12. Umbrella Input | 18.Locking Knob |

Name of Parts

LA150Bi/LA200Bi



- | | | |
|-------------------------------|------------------------|---------------------|
| 1.Light Body | 7. Bowens Mount | 13.Bluetooth Button |
| 2.LED Bead | 8.CCT/FX Knob | 14. Power Switch |
| 3.Locking Handle | 9. Mount Fixing Pusher | 15. Thermovent |
| 4.Direction Adjustment Button | 10. FX Button | 16. Power Outlet |
| 5.LCD Panel | 11. Reflector | 17. Sleeve Bracket |
| 6.Brightness Adjustment Knob | 12. Umbrella Input | 18.Locking Knob |

What's in the Box

LA150D/LA200D/LA150Bi/LA200Bi



Light Body *1 Reflector RFT-19*1 Protection Cover *1 Adapter*1 Power Cord*1



Instruction Manual*1



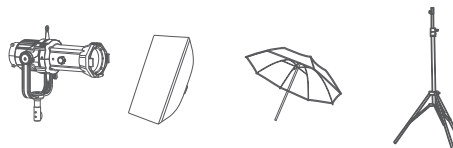
Fixing Band*1



Wire Rope*1

Optional Accessories

LA150D and LA200D can be used in combination with the following optional accessories so as to achieve best photography effects: Softbox, Umbrella, Light Stand, Spotlight Attachment.



Operation Instruction

Connect to power supply

Connect to the AC power supply through DC adapter, press the power switch button on the LED light to switch on.

Mode Selection:CCT Mode/FX Mode

1. **CCT Mode(LA150D/LA200D)**:The CCT mode (5600K)is on the main interface.
2. **CCT Mode(LA150Bi/LA200Bi)**:The CCT mode is on the main interface, turn the CCT/FX Knob in CCT mode to adjust the color temperature from 2800K to 6500K. Turn left to decrease and turn right to increase, with 100 units of increment in normal speed and 500 units of increment in fast speed.
- 3.**Brightness Adjustment**:Turn the Brightness Adjustment Knob to adjust the brightness from 0% to 100%. Turn left to decrease and turn right to increase, with 1 unit of increment in normal speed and 10 units of increment in fast speed.
4. **FX Mode(LA150D/LA200D)**:Short press FX button to enter or exit FX Mode. The LCD panel will display FX when in FX Mode, turn the FX knob to select from the 8 light effects.

Display	FX1	FX2	FX3	FX4	FX5	FX6	FX7	FX8
Scenes	Flash 1	Flash 2	Flash 3	Storm 1	Storm 2	Storm 3	TV	Broken Blub

FX Mode(LA150Bi/LA200Bi): Short press FX button to enter or exit FX Mode.The LCD panel will display FX icon when in FX Mode, turn the FX knob to select from the 11 light effects.

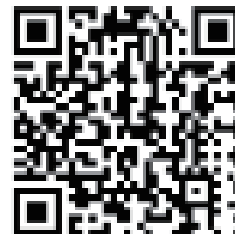
Display	FX1	FX2	FX3	FX4	FX5	FX6	FX7	FX8	FX9	FX10	FX11
Scenes	Flash1	Flash2	Flash3	Storm1	Storm2	Storm3	Broken Blub	TV	Candle	Fire	Firework

Bluetooth Setting



- 1.Check Bluetooth MAC code:Short press the Bluetooth button until the CCT number on the LCD panel turns into Bluetooth MAC code, short press again until the Bluetooth MAC code disappears, and the main interface is restored to normal display.
- 2.Scanning the QR Code to download“Godox Light” APP (available to both Android and IOS systems) .Please refer to the “help” instruction for specific operation.
- 3.Bluetooth reset function:Long press the Bluetooth button for 2 seconds until the Bluetooth icon blinks on the LCD panel to reset the Bluetooth, after which the icon will be instant on.

Note:The first connected mobile device (smartphone or tablet)can directly operate the light through APP

- 4.When switched to other mobile devices (smartphone or tablet),the light will be connected through APP after Bluetooth reset.



Malfunction Indication

The <  > is on means fan failure. The <  > is on means overheat warning. of the LED beads, and the device will turn off automatically once exceeding the safety temperature.

Adapter Mounting Instruction

Mount the adapter on the fixing band, thread the wire rope through the fixing band, and then hang them on the bracket.

Declaration of Conformity:

GODOX Photo Equipment Co.,Ltd. hereby declares that the This equipment are in compliance with the essential requirements and other relevant provisions of EU Directive 2014/53/EU. They are allowed to be used in all EU member states. For more information of DoC, Please click this web link:http://www.godox-.com/DOC/Godox_LA150D_LA200D_DOC.pdf.

Declaration of Conformity:

GODOX Photo Equipment Co.,Ltd. hereby declares that the This equipment are in compliance with the essential requirements and other relevant provisions of EU Directive 2014/53/EU. They are allowed to be used in all EU member states. For more information of DoC, Please click this web link:http://www.godox.com/DOC/Godox_LA150Bi_LA200Bi_DOC.pdf.

Illuminance Data

LA150D

CCT	Testing Status	Illuminance Unit	1m	2m	3m
5600K	bare lamp	lux	7030	1860	903
		fc	653	172	83.8
	with reflector	lux	84800	17800	7610
		fc	7880	1650	707

LA200D

CCT	Testing Status	Illuminance Unit	1m	2m	3m
5600K	bare lamp	lux	8670	2170	1050
		fc	806	201	97.6
	with reflector	lux	101000	20800	8670
		fc	9360	1930	806

LA150Bi

Color Temperature	Testing Condition	Illuminance unit	1m	2m	3m
2800K	bare lamp	lux	3020	806	409
		fc	281	74.8	38
3200K		lux	3550	947	483
		fc	329	88	44.9
4300K		lux	5030	1350	688
		fc	468	125	63.9
5600K		lux	5080	1360	695
		fc	472	126	64.5
6500K	lux	4400	1180	600	
	fc	409	110	55.7	

LA150Bi

Color Temperature	Testing Condition	Illuminance unit	1m	2m	3m
2800K	with reflector	lux	37700	8150	3340
		fc	3500	757	310
3200K		lux	44800	9660	3970
		fc	4170	897	369

4300K	with reflector	lux	64900	13900	5740
		fc	6030	1290	534
5600K		lux	66600	14400	5890
		fc	6190	1340	547
6500K		lux	58300	12400	5150
		fc	5420	1150	479

LA200Bi

Color Temperature	Testing Condition	Illuminance unit	1m	2m	3m
2800K	bare lamp	lux	3570	951	478
		fc	331	88.4	44.4
3200K		lux	4350	1160	586
		fc	404	108	54.5
4300K		lux	6850	1840	924
		fc	637	171	85.8
5600K		lux	6970	1870	937
		fc	647	174	87
6500K	lux	5630	1510	774	
	fc	523	140	71.9	

LA200Bi

Color Temperature	Testing Condition	Illuminance unit	1m	2m	3m
2800K	with reflector	lux	39300	8440	3550
		fc	3650	785	330
3200K		lux	48500	10400	4340
		fc	4510	964	403
4300K		lux	77400	16400	6890
		fc	7190	1520	640
5600K		lux	79200	16800	7030
		fc	7360	1560	653
6500K	lux	64300	13600	5670	
	fc	5970	1260	527	

Note: The above tests are all based on the condition of 100% brightness.

Technical Data

Model	LA150D	LA200D
Power Output	Max.190W	Max.230W
Input Voltage	DC 48V	
CCT	5600K	
Brightness Adjustment Range	0%-100%	
CRI ≈	96	
TLCI ≈	97	
FX Mode	8	
Controlling Method	Manual Control, Bluetooth APP Control	
Bluetooth Transmission Distance	30m	
Working Environment Temperature	-10 C ~40 C	
Bluetooth Transmission Frequency	2402.00-2480.00MHz	
Maximum Transmit Power	5dbm	
Dimension	205*145*215mm	205*145*215mm
Net Weight≈	1.4kg	1.4kg

Design and specifications may be subject to change without notice.

Technical Data

Model	LA150Bi	LA200Bi
Power	Max.190W	Max.230W
Input Parameter	DC 48V	
CCT	2800-6500K	
Brightness Adjustment Range	0%-100%	
CRI ≈	96	
TLCI ≈	97	
FX Mode	11	

Controlling Method	Bluetooth Wireless Control	
Bluetooth Transmission Distance	30m	
Working Environment Temperature	-10 C ~40 C	
Bluetooth Transmission Frequency	2402.00-2480.00MHz	
Maximum Transmit Power	5dbm	
Dimension	205*145*215mm	205*145*215mm
Net Weight≈	1.4kg	1.4kg

Design and specifications may be subject to change without notice.

FCC Statement

This device complies with part 15 of the FCC Rules. Operation is subject to the following two conditions: (1) This device may not cause harmful interference, and (2) this device must accept any interference received, including interference that may cause undesired operation.

Any Changes or modifications not expressly approved by the party responsible for compliance could void the user's authority to operate the equipment.

Note: This equipment has been tested and found to comply with the limits for a Class B digital device, pursuant to part 15 of the FCC Rules. These limits are designed to provide reasonable protection against harmful interference in a residential installation. This equipment generates uses and can radiate radio frequency energy and, if not installed and used in accordance with the instructions, may cause harmful interference to radio communications. However, there is no guarantee that interference will not occur in a particular installation. If this equipment does cause harmful interference to radio or television reception, which can be determined by turning the equipment off and on, the user is encouraged to try to correct the interference by one or more of the following measures:

- Reorient or relocate the receiving antenna.
- Increase the separation between the equipment and receiver.
- Connect the equipment into an outlet on a circuit different from that to which the receiver is connected.
- Consult the dealer or an experienced radio/TV technician for help.

The device has been evaluated to meet general RF exposure requirement.

The device can be used in portable exposure condition without restriction.

产品保修

尊敬的用户,本保修卡是申请保修服务的重要凭证,请您配合销售商填写并妥善保管,谢谢!

产品信息	型号	产品条码
用户信息	姓名	联系电话
	通信地址	
销售商信息	名称	
	联系电话	
	通信地址	
	销售日期	
备注		

注:此表应由销售商盖章确认。

适用产品

本文件适用于相关《产品保修信息》(见后面说明)所列产品,其他非属此范围的产品或部件(如促销品、赠品及其他出厂后附加的部件等)不在此保修承诺内。

保修期

产品及部件的相应保修期按相关的《产品保修信息》执行。保修期自产品首次购买日起算,购买日以购买产品时保修卡登记日期为准。

如何获得保修服务

您可直接与产品销售商或授权服务机构联系,也可拨打神牛产品售后服务电话,与我们联系,由我们的服务人员为您安排服务。申请保修时,您应提供有效的保修卡作为保修凭证,方可获得保修。如您不能提供有效的保修卡,则在我们确认产品或部件属于保修范围的情况下,也可以为您提供保修,但这不作为我们的义务。

不适用保修的情况

如产品存在下列情况,本文件项下的保证和服务将不适用 ①产品或部件超过相应保修期;②错误或不当使用、维护或保管导致的故障或损坏,如:不当搬运;非按产品合理预期用途使用;不当插拔外接设备;跌落或外力挤压;接触或暴露于不当温度、溶剂、酸碱、水浸或潮湿环境;③由非神牛授权机构或人员安装、修理、更改、添加或拆卸造成的故障或损坏;④产品或部件原有识别信息被修改变更或删除;⑤无有效保修卡;⑥使用非合法授权、非标准或非公开发行的软件造成的故障或损坏;⑦因不可抗力或意外事件造成的故障或损坏;⑧其他非因产品本身质量问题导致的故障或损坏。遇上述情况,您应向相关责任方寻求解决,神牛对此不承担任何责任。因非在保修期或保修范围内的部件、附件或软件导致产品不能正常使用的,不是保修范围内的故障。产品使用过程中正常的脱色,磨损和消耗,不是保修范围内的故障。

产品保修和服务支持信息

产品的保修期和服务类型按以下《产品保修信息》执行:

产品类别	选件名称	保修期(月)	保修服务类型
部件	电路板	12	客户送修
	电池	3	客户送修
	充电器、电源线,同步线等带电性能的部件。	12	客户送修
其他	如闪光管、造型灯泡、外壳、保护罩、锁紧装置、包装等。	无	无保修

神牛产品售后服务电话 0755-29609320-8062

Warranty

Dear customers, as this warranty card is an important certificate to apply for our maintenance service, please fill in the following form in coordination with the seller and safe-keep it. Thank you!

Product Information	Model	Product Code Number
Customer Information	Name	Contact Number
	Address	
Seller Information	Name	
	Contact Number	
	Address	
	Date of Sale	
Note:		

Note: This form shall be sealed by the seller.

Applicable Products

The document applies to the products listed on the Product Maintenance Information (see below for further information). Other products or accessories (e.g. promotional items, giveaways and additional accessories attached, etc.) are not included in this warranty scope.

Warranty Period

The warranty period of products and accessories is implemented according to the relevant Product Maintenance Information. The warranty period is calculated from the day(purchase date) when the product is bought for the first time, And the purchase date is considered as the date registered on the warranty card when buying the product.

How to Get the Maintenance Service

If maintenance service is needed, you can directly contact the product distributor or authorized service institutions. You can also contact the Godox after-sale service call and we will offer you service. When applying for maintenance service, you should provide valid warranty card. If you cannot provide valid warranty card, we may offer you maintenance service once confirmed that the product or accessory is involved in the maintenance scope, but that shall not be considered as our obligation.

Inapplicable Cases

The guarantee and service offered by this document are not applicable in the following cases: ①. The product or accessory has expired its warranty period; ②. Breakage or damage caused by inappropriate usage, maintenance or preservation, such as improper packing, improper usage, improper plugging in/out external equipment, falling off or squeezing by external force, contacting or exposing to the improper temperature, solvent, acid, base, flooding and damp environments, etc; ③. Breakage or damage caused by non-authorized institution or staff in the process of installation, maintenance, alternation, addition and detachment; ④. The original identifying information of product or accessory is modified, alternated, or removed; ⑤. No valid warranty card; ⑥. Breakage or damage caused by using illegally authorized, nonstandard or non-public released software; ⑦. Breakage or damage caused by force majeure or accident; ⑧. Breakage or damage that could not be attributed to the product itself. Once met these situations above, you should seek solutions from the related responsible parties and Godox assumes no responsibility. The damage caused by parts, accessories and software that beyond the warranty period or scope is not included in our maintenance scope. The normal discoloration, abrasion and consumption are not the breakage within the maintenance scope.