

Revo Bluetooth® Headphones

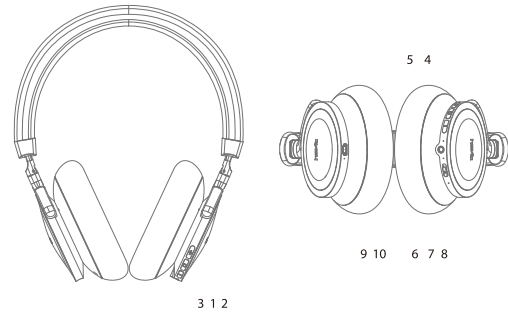
100239-001B

IC ID: 21530-100239
FCC ID: 2AGR4-100239



Instruction Manual

OVERVIEW



1. Multi-function button (MFB)
2. Next Track/Volume UP
3. Previous Track/Volume Down
4. LED Indicator Light
5. 3.5mm audio port
6. ANC indicator

7. ANC ON/OFF
8. Microphone
9. Charging indicator
10. Micro USB Charging Port

BLUETOOTH® OPERATION

1. Please ensure that the Bluetooth function has been turned on in the settings of your Bluetooth enabled device.
2. Turn the headphone on by pressing the MFB button for approximately 5 seconds until the LED indicator light begins to flash. The LED indicator light will flash to detect Bluetooth enabled devices near you and will enter pairing mode.
3. "GEMLINE HP" will appear on the Bluetooth device list, select "GEMLINE HP" to establish pairing. If instructed to enter a PIN code, please enter '0000'.
4. The LED indicator light will turn blue to indicate successful pairing.
5. When you want to play audio from another Bluetooth device, disconnect the headphone from the original device and follow steps 1-3 to re-pair the headphones with a new Bluetooth enabled device.

ANC ON/OFF

1. Short press the ANC button to activate the ANC function. LED lights up green. Then you can use ANC function under wired mode or Bluetooth mode.
2. Short press the ANC button to disable the ANC function. Green LED goes off.

BUTTON CONTROL

- Power On/Off: Press and hold the MFB button
- Play/Pause: Short press the MFB button
- Volume Up/ Next Track: Short press + button once to increase volume. Press and hold to change music to next track.
- Volume Down/ Previous Track: Short press - button once to decrease volume. Press and hold to change music to previous track.

HANDS-FREE PHONE USE

- Answer incoming call-Short press MFB button.
- End call-Short press MFB button.
- Redial last call-Short press MFB button twice
- Reject incoming call: Press and hold MFB button.

AUX PLAYBACK OPERATION

1. Turn on the headphone.
2. Connect the headphone to a smartphone, audio device, or laptop with the 3.5mm AUX cable(included)
3. The next/previous song, volume, and play/pause buttons can only be adjusted on the device that is connected through the 3.5mm AUX cable.

CHARGING THE HEADPHONE

1. When the battery is low, please charge via the included USB cable. The charging time is approximately 2 hours and provides up to 30 hours of continuous Bluetooth operation, 14 hours of continuous Bluetooth + ANC operation. Standby time is approximately 1000 hours.
2. The LED indicator light will be red during charging and will turn blue once it is fully charged.

WARNING

1. Do not disassemble, repair, or modify the headphone.
2. Do not place product in or near fire to avoid danger, as it uses a lithium battery.
3. Avoid storage at extreme temperatures, this can shorten the battery life

Front Cover

page 02

page 03

page 04

page 05

SPECIFICATION

Model: Revo Bluetooth® Headphones
Bluetooth Specification: Bluetooth® V4.0
Profiles Supported: HFP, HSP, A2DP, AVRCP
Wireless Working Range: 10m (without obstacles)
Built-in Battery: Lithium Battery 500mAh
USB Recharge Voltage: DC 5V
Output Power: 15mW
Frequency Response: 20Hz-20KHz

PACKING LIST

- Bluetooth® Headphone
- USB Charging Cable
- 3.5mm AUX Cable
- Storage Pouch
- User Manual
- Gift Box

and may affect the headphone.
4. Keep the headphone dry and do not store the headphone in damp areas to avoid damage to the headphone.
5. Avoid dropping the headphone as it may cause damage the product.

KIND REMINDER

1. To prolong the headphone life span and to avoid hearing damage, please do not listen to music under high volume for long periods of time.
2. When an error occurs with the headphone, please turn off the headphone and restart it to troubleshoot.
3. When the headphone power is low, the Bluetooth range may be affected. Please charge the headphone to avoid disruptions during use.

Problem	Troubleshooting Method
Unable to pair the headphone with a mobile device	1. Inspect whether the headphones are searching for a Bluetooth enabled device to connect to. If not, restart the headphone. 2. Difficulty in searching and connecting to a desired device can be affected if multiple devices are equipped, turned on, and in range for Bluetooth connectivity. Please turn off or disable the Bluetooth function on the other devices. 3. The power of the battery is insufficient, please recharge the headphone.

Problem	Troubleshooting Method
The music stops from time to time	1. Inspect the distance between the headphone and the Bluetooth enabled device, it may exceed the Bluetooth transmission range. 2. Inspect if there is an obstacle between the headphone and the Bluetooth enabled device. 3. The power of the battery is insufficient, please recharge the headphone.
The sound is low or distorted	1. Inspect the volume of the connected headphone or Bluetooth enabled device and adjust the volume as needed. 2. The power of the battery is insufficient, please recharge the headphone.
The Bluetooth indicator light remains OFF	1. Inspect the volume of the connected headphone or Bluetooth enabled device and adjust the volume as needed. 2. The power of the battery is insufficient, please recharge the headphone.

The *Bluetooth*® word mark and logos are registered trademarks owned by the Bluetooth SIG, Inc. and any use of such marks by The Gem Group is under license. Other trademarks and trade names are those of their respective owners.

This device contains licence-exempt transmitter(s)/receiver(s) that comply with Innovation, Science and Economic Development Canada's licence-exempt RSS(s). Operation is subject to the following two conditions:(1) This device may not cause interference.(2) This device must accept any interference, including interference that may cause undesired operation of the device.

L'émetteur/récepteur exempt de licence contenu dans le présent appareil est conforme aux CNR d'Innovation, Sciences et Développement économique Canada applicables aux appareils radio exempts de licence. L'exploitation est autorisée aux deux conditions suivantes :
(1) L' appareil ne doit pas produire de brouillage;
(2) L' appareil doit accepter tout brouillage radioélectrique subi, même si le brouillage est susceptible d'en compromettre le fonctionnement.

NOTE: This equipment has been tested and found to comply with the limits for a Class B digital device, pursuant to part 15 of the FCC Rules. These limits are designed to provide reasonable protection against harmful interference in a residential installation. This equipment generates uses and can radiate radio frequency energy and, if not installed and used in accordance with the

instructions, may cause harmful interference to radio communications. However, there is no guarantee that interference will not occur in a particular installation. If this equipment does cause harmful interference to radio or television reception, which can be determined by turning the equipment off and on, the user is encouraged to try to correct the interference by one or more of the following measures:

- Reorient or relocate the receiving antenna.
- Increase the separation between the equipment and receiver.
- Connect the equipment into an outlet on a circuit different from that to which the receiver is connected.
- Consult the dealer or an experienced radio/TV technician for help

Changes or modifications not expressly approved by the party responsible for compliance could void the user's authority to operate the equipment. This device complies with Part 15 of the FCC Rules. Operation is subject to the following two conditions: (1) this device may not cause harmful interference, and (2) this device must accept any interference received, including interference that may cause undesired operation.

Back Cover

page 06

page 07

page 08

page 09