



Installation Guide

Cync Fixture Canless

www.gelighting.com

The GE brand and logo are trademarks of the General Electric Company.

©2020 GE Lighting. Information provided is subject to change without notice.

All values are design or typical values when measured under laboratory conditions.

PRODUCT COVERED

Model	Input voltage (Vac, Hz)	Current (mA)	Wattage (W)
CFIXCNLR4S1	120, 60	110	13
CFIXCNLR6S1	120, 60	130	16
CFIXCNLR4C1	120, 60	110	13
CFIXCNLR6C1	120, 60	130	16

DIMMING

Compatible with Cync 3-wire smart switch. Do not compatible with regular dimmer. Download Cync App for dimming and other controls.



BEFORE YOU BEGIN

Read these instructions completely and carefully.

WARNING

- Risk of fire or electric shock. Installation requires knowledge of luminaire electrical systems. If not qualified, do not attempt installation. Contact a qualified electrician.
- To prevent wiring damage or abrasion, do not expose wiring to edges of sheet metal or other sharp objects.
- This device is not intended for use with emergency exits.
- These products are intended to be used in dry, damp or wet locations.

PREPARE ELECTRICAL WIRING



Electrical Requirements

The LED fixture must be supplied with 120VAC 60Hz.



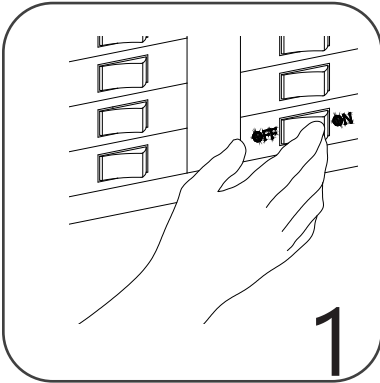
Grounding Instructions

The grounding and bonding of the overall system shall be done in accordance with National Electric Code(NEC) Article 600 and local codes.

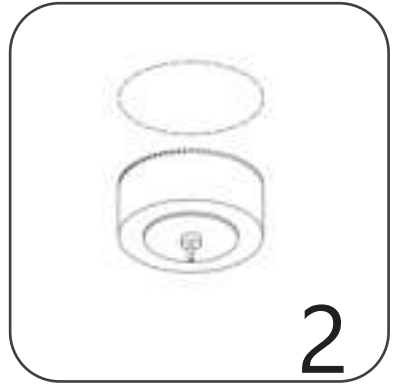
Note: This device complies with part 15 of the FCC Rules. Operation is subject to the following two conditions:(1) This device may not cause harmful interference; (2) this device must accept any interference received, including interference that may cause undesired operation.

Risk of Damage: Must use UL approved conduit fittings for all enclosure box connections to prevent wire cuts by sharp edges and excessive strain on wiring.

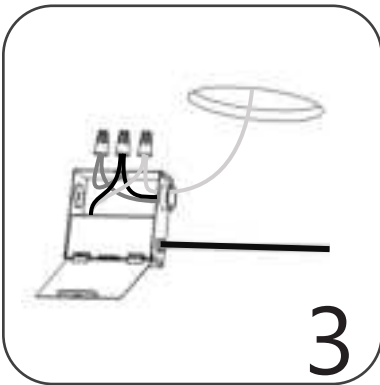
INSTALLATION



Turn off power source at the main circuit breaker or fuse box.



Drill hole in ceiling and prepare supply wire. Hole size CFIXCNLR4S1/ CFIXCNLR4C1 4 ¼ inch, CFIXCNLR6S1/ CFIXCNLR6C1 6 ¼ inch.



Bring the supply power to junction box through knockout and secure with strain relief. Use the wire nuts to connect power supply wires to respective color wires in the junction box.



Place the junction box on the ceiling through cur hole. Connect the light with junction box with the connector.



Hold the spring clips against the fixture and gently guide into the ceiling until the clips snap into place.

This device complies with Part 15 of the FCC Rules. Operation is subject to the following two conditions: (1) this device may not cause harmful interference, and (2) this device must accept any interference received, including interference that may cause undesired operation.

The grantee is not responsible for any changes or modifications not expressly approved by the party responsible for compliance. Such modifications could void the user's authority to operate the equipment.

This equipment has been tested and found to comply with the limits for a Class B digital device, pursuant to part 15 of the FCC Rules. These limits are designed to provide reasonable protection against harmful interference in a residential installation.

This equipment generates uses and can radiate radio frequency energy and, if not installed and used in accordance with the instructions, may cause harmful interference to radio communications. However, there is no guarantee that interference will not occur in a particular installation. If this equipment does cause harmful interference to radio or television reception, which can be determined by turning the equipment off and on, the user is encouraged to try to correct the interference by one or more of the following measures:

- Reorient or relocate the receiving antenna.
- Increase the separation between the equipment and receiver.
- Connect the equipment into an outlet on a circuit different from that to which the receiver is connected.
- Consult the dealer or an experienced radio/TV technician for help.

This equipment complies with FCC and IC radiation exposure limits set forth for an uncontrolled environment. This equipment should be installed and operated with minimum distance of 20 cm between the radiator and your body.

This device contains licence-exempt transmitter(s)/receiver(s) that comply with Innovation, Science and Economic Development Canada's licence-exempt RSS(s). Operation is subject to the following two conditions:

1. This device may not cause interference.
2. This device must accept any interference, including interference that may cause undesired operation of the device.

L'émetteur/récepteur exempt de licence contenu dans le présent appareil est conforme aux CNR d'Innovation, Sciences et Développement économique Canada applicables aux appareils radio exempts de licence. L'exploitation est autorisée aux deux conditions suivantes :

1. L'appareil ne doit pas produire de brouillage;
2. L'appareil doit accepter tout brouillage radioélectrique subi, même si le brouillage est susceptible d'en compromettre le fonctionnement.

Avis: Pour répondre à la IC d'exposition pour les besoins de base et mobiles dispositifs de transmission de la station, sur une distance de séparation de 20 cm ou plus do il être maintenue entre l'antenne de cet appareil et les personnes en cours de fonctionnement. Pour a ssurer le respect, l'exploitation de plus près à cette distance n'est pas recommandée. L'antenne (s) utilisé pour cet émetteur ne doit pas être co-localisés ou fonctionner conjointement avec une autre antenne ou transmetteur.