

# TEST REPORT

**Product Name** : POWERPLANT USB CHARGER  
**Model Number** : iPP60, iPP60X (X could be single or multiple digits by any alphabets and punctuation marks denoting different year version, buyers and cabinet colors)  
**FCC ID** : EMOIPP60A

**Prepared for Address** : SDI Technologies Inc.  
: 1299 Main Street, Rahway, NJ 07065, U.S.A

**Prepared by Address** : EMTEK (DONGGUAN) CO., LTD.  
: 1&2/F., Building 2, Zone A, Zhongda Marine Biotechnology Research and Development Base, No.9, Xincheng Avenue, Songshanhu High-technology Industrial Development Zone, Dongguan, Guangdong, China

TEL: +86-0769-22807078  
FAX: +86-0769-22807079

**Report Number** : EDG2503250059E00401R  
**Date of sample receipt** : Mar 25, 2025  
**Date(s) of Tests** : Mar 25, 2025 to Apr 10, 2025  
**Date of issue** : Apr 11, 2025

## Table of Contents

|   |    |
|---|----|
| 1 TEST RESULT CERTIFICATION .....                     | 3  |
| 2 EUT TECHNICAL DESCRIPTION .....                     | 5  |
| 3 SUMMARY OF TEST RESULT .....                        | 6  |
| 4 TEST METHODOLOGY .....                              | 7  |
| 4.1 GENERAL DESCRIPTION OF APPLIED STANDARDS .....    | 7  |
| 4.2 MEASUREMENT EQUIPMENT USED .....                  | 7  |
| 4.3 DESCRIPTION OF TEST MODES .....                   | 9  |
| 5 FACILITIES AND ACCREDITATIONS .....                 | 10 |
| 5.1 FACILITIES .....                                  | 10 |
| 5.2 EQUIPMENT .....                                   | 10 |
| 5.3 LABORATORY ACCREDITATIONS AND LISTINGS .....      | 10 |
| 6 TEST SYSTEM UNCERTAINTY .....                       | 11 |
| 7 SETUP OF EQUIPMENT UNDER TEST .....                 | 12 |
| 7.1 RADIO FREQUENCY TEST SETUP 1 .....                | 12 |
| 7.2 RADIO FREQUENCY TEST SETUP 2 .....                | 12 |
| 7.3 CONDUCTED EMISSION TEST SETUP .....               | 14 |
| 7.4 BLOCK DIAGRAM CONFIGURATION OF TEST SYSTEM .....  | 15 |
| 7.5 SUPPORT EQUIPMENT .....                           | 15 |
| 8 FREQUENCY HOPPING SYSTEM REQUIREMENTS .....         | 16 |
| 8.1 Standard Applicable .....                         | 16 |
| 8.2 EUT Pseudorandom Frequency Hopping Sequence ..... | 16 |
| 8.3 Equal Hopping Frequency Use .....                 | 17 |
| 8.4 Frequency Hopping System .....                    | 17 |
| 9 TEST REQUIREMENTS .....                             | 18 |
| 9.1 20DB&99%BANDWIDTH .....                           | 18 |
| 9.2 CARRIER FREQUENCY SEPARATION .....                | 29 |
| 9.3 NUMBER OF HOPPING FREQUENCIES .....               | 32 |
| 9.4 AVERAGE TIME OF OCCUPANCY (DWELL TIME) .....      | 35 |
| 9.5 MAXIMUM PEAK CONDUCTED OUTPUT POWER .....         | 45 |
| 9.6 CONDUCTED SUPRIIOUS EMISSION .....                | 51 |
| 9.7 RADIATED SPURIOUS EMISSION .....                  | 61 |
| 9.8 CONDUCTED EMISSION TEST .....                     | 70 |
| 9.9 ANTENNA APPLICATION .....                         | 73 |

# 1 TEST RESULT CERTIFICATION

Applicant : SDI Technologies Inc.  
 Address : 1299 Main Street, Rahway, NJ 07065, U.S.A  
 Manufacturer : SDI Technologies Inc.  
 Address : 1299 Main Street, Rahway, NJ 07065, U.S.A  
 EUT : POWERPLANT USB CHARGER  
 Model Name : iPP60, iPP60X (X could be single or multiple digits by any alphabets and punctuation marks denoting different year version, buyers and cabinet colors)  
 Trademark : iHome

Measurement Procedure Used:

| APPLICABLE STANDARDS  |             |
|---|-------------|
| STANDARD  | TEST RESULT |
| FCC 47 CFR Part 2, Subpart J<br>FCC 47 CFR Part 15, Subpart C                       | PASS        |
| IC RSS-GEN, Issue 5(04-2018)+A1(03-2019)+A2(02-2021)<br>IC RSS-247 Issue 3(08-2023) | PASS        |

The above equipment was tested by EMTEK(DONGGUAN) CO., LTD. The test data, data evaluation, test procedures, and equipment configurations shown in this report were made in accordance with the procedures given in ANSI C63.10 (2013) and the energy emitted by the sample EUT tested as described in this report is in compliance with the requirements of FCC Rules Part 2, Part 15.247, IC RSS-247 Issue 3 and IC RSS-GEN, Issue 5.

The test results of this report relate only to the tested sample identified in this report

Date of Test : Mar 25, 2025 to Apr 10, 2025

Prepared by : Galen Xiao

Galen Xiao /Editor

Reviewer : Warren Deng

Warren Deng /Supervisor

Approve & Authorized Signer : 

Sam Lv /Manager



## Modified History

| Version | Report No.           | Revision Date | Summary         |
|---------|----------------------|---------------|-----------------|
|         | EDG2503250059E00401R | /             | Original Report |
|         |                      |               |                 |
|         |                      |               |                 |



## 2 EUT TECHNICAL DESCRIPTION

| Characteristics                       | Description   |
|---------------------------------------|---|
| <b>Product:</b>                       | POWERPLANT USB CHARGER  |
| <b>Model Number:</b>                  | iPP60, iPP60X (X could be single or multiple digits by any alphabets and punctuation marks denoting different year version, buyers and cabinet colors)<br>All products are the same, only the model number, year version, buyers and cabinet colors are different. Here we selected iPP60 for all the test. |
| <b>Sample:</b>                        | 1#  |
| <b>Data Rate:</b>                     | 1Mbps for GFSK modulation<br>2Mbps for $\pi/4$ -DQPSK modulation<br>3Mbps for 8DPSK modulation  |
| <b>Modulation:</b>                    | GFSK, $\pi/4$ -DQPSK, 8DPSK   |
| <b>Operating Frequency Range(s) :</b> | 2402-2480MHz  |
| <b>Number of Channels:</b>            | 79 channels   |
| <b>Transmit Power Max:</b>            | 0.72 dBm(0.001180W)   |
| <b>Antenna Type:</b>                  | PCB Antenna   |
| <b>Antenna Gain:</b>                  | -0.58 dBi   |
| <b>Power supply:</b>                  | DC 15V from adapter<br>Adapter: Model: XY-CA03601500240U01<br>INPUT: 100-240V~50/60Hz 0..95A Max<br>OUTPUT: 15V=2.4A<br>DC 3.7V from battery<br>USB-C Port1(PD): 5V=3A, 9V=2.22A, 12V=1.67A<br>USB-C Port1(PPS): 3.3-5.9V=3A, 3.3-11V=1.8A<br>USB-C Port2: 5V=2A USB-A: 5V=2A<br>Total Output: 30W(max)     |
| <b>Product SW/HW version:</b>         | HW: V1.3<br>SW: SDK V170  |
| <b>Radio SW/HW version:</b>           | HW: V1.3<br>SW: SDK V170  |
| <b>Temperature Range:</b>             | -20°C ~ +60°C   |

**Note1:** for more details, please refer to the User's manual of the EUT.

### 3 SUMMARY OF TEST RESULT

| FCC Part Clause  | IC Part Clause  | Test Parameter                         | Verdict | Remark |
|--|---|--|---------|--------|
| 15.247(a)(1)   | RSS-247.5.1<br>RSS-Gen.6.7  | Emission Bandwidth                     | PASS    |        |
| 15.247(a)(1)   | RSS-247.5.1   | Carrier Frequency Separation           | PASS    |        |
| 15.247(a)(1)   | RSS-247.5.1   | Number of Hopping Frequencies          | PASS    |        |
| 15.247(a)(1)   | RSS-247.5.1   | Average Time of Occupancy (Dwell Time) | PASS    |        |
| 15.247(b)(1)   | RSS-247.5.4<br>RSS-Gen 6.12   | Maximum Peak Conducted Output Power    | PASS    |        |
| 15.247(d)  | RSS-247 5.5   | Conducted Spurious Emissions           | PASS    |        |
| 15.247(d)<br>15.209<br>15.205  | RSS-Gen 8.9<br>RSS-Gen 8.10<br>RSS-Gen 6.13<br>RSS-247 3.3<br>RSS-247 5.5 | Radiated Spurious Emissions            | PASS    |        |
| 15.207   | RSS-Gen 8.8   | Conducted Emission                     | PASS    |        |
| 15.203<br>15.247(b)  | RSS-Gen 6.8<br>RSS-247 5.4  | Antenna Application                    | PASS    |        |
| 15.247 (a) (1)/g/h   | -   | Frequency Hopping System               | PASS    |        |
| NOTE1: N/A (Not Applicable)  |   |  |         |        |
| NOTE2: According to FCC OET KDB 558074, the report use radiated measurements in the restricted frequency bands. In addition, the radiated test is also performed to ensure the emissions emanating from the device cabinet also comply with the applicable limits. |   |  |         |        |

RELATED SUBMITTAL(S) / GRANT(S):

This submittal(s) (test report) is intended for **FCC ID: EMOIPP60A** filing to comply with Section 15.247 of the FCC Part 15, Subpart C Rules.

## 4 TEST METHODOLOGY

### 4.1 GENERAL DESCRIPTION OF APPLIED STANDARDS

According to its specifications, the EUT must comply with the requirements of the following standards:

FCC 47 CFR Part 2, Subpart J

FCC 47 CFR Part 15, Subpart C

IC RSS-GEN, Issue 5(04-2018)+A1(03-2019)+A2(02-2021)

IC RSS-247 Issue 3(08-2023)

FCC KDB 558074 D01 15.247 Meas Guidance v05r02

### 4.2 MEASUREMENT EQUIPMENT USED

#### Conducted Emission Test Equipment

| Equipment                  | Manufacturer         | Model No.    | Serial No. | Last Cal. | Cal. Interval |
|----------------------------|----------------------|--------------|------------|-----------|---------------|
| EMI Test Receiver          | Rohde&Schwarz        | ESCI         | 100137     | 2024/4/29 | 1Year         |
| AMN                        | Rohde&Schwarz        | ENV216       | 101209     | 2024/4/28 | 1Year         |
| AMN                        | Rohde&Schwarz        | ENV216       | 100017     | 2024/4/28 | 1Year         |
| RF Switching Unit          | CDS                  | RSU-M2       | 38401      | 2024/4/28 | 1Year         |
| AMN                        | Schwarzbeck          | NNLK8121     | 8121-641   | 2024/4/28 | 1Year         |
| AMN                        | Rohde&Schwarz        | ESH3-Z6      | 101101     | 2024/4/28 | 1Year         |
| AMN                        | Rohde&Schwarz        | ESH3-Z6      | 101102     | 2024/4/28 | 1Year         |
| Power Splitters & Dividers | Weinschel Associates | WA1506A      | A1066      | 2024/4/28 | 1Year         |
| Current Probe              | FCC                  | F-52         | 8377       | 2024/4/28 | 1Year         |
| Passive voltage probe      | Rohde&Schwarz        | ESH2-Z3      | 100122     | 2024/4/28 | 1Year         |
| Cable                      | Rosenberger          | RG 223/U     | 525178     | 2024/4/28 | 2Year         |
| Cable                      | Rosenberger          | RG223/U      | 525179     | 2024/4/28 | 2Year         |
| Test Software              | Farad                | Ver.CON-03A1 | --         | N/A       | N/A           |

#### For Spurious Emissions Test

| Equipment             | Manufacturer  | Model No.        | Serial No.   | Last Cal. | Cal. Interval |
|-----------------------|---------------|------------------|--------------|-----------|---------------|
| EMI Test Receiver     | Rohde&Schwarz | ESCI             | 101415       | 2024/4/28 | 1Year         |
| Bi-log Hybrid Antenna | Schwarzbeck   | VULB9163         | 141          | 2024/5/5  | 1Year         |
| Pre-Amplifie          | HP            | 8447F            | OPH64        | 2024/4/28 | 1 Year        |
| Signal Analyzer       | R&S           | FSV30            | 103039       | 2024/4/28 | 1 Year        |
| Horn Antenna          | Schwarzbeck   | BBHA9120D        | 1272         | 2024/5/5  | 1Year         |
| Horn Antenna          | Schwarzbeck   | BBHA9170         | 9170-567     | 2024/5/5  | 1Year         |
| Pre-Amplifie          | LUNAR EM      | PM1-18-40        | J10100000081 | 2024/4/28 | 1Year         |
| Loop antenna          | Schwarzbeck   | FMZB1519         | 1519-012     | 2024/5/5  | 1Year         |
| Cable                 | Rosenberger   | CIL02            | A0783566     | 2024/4/28 | 2Year         |
| Cable                 | HTS           | CBL-26           | D1245        | 2024/4/28 | 2Year         |
| Cable                 | HTS           | CBL-26           | D8503        | 2024/4/28 | 2Year         |
| Cable                 | HTS           | CBL-26           | /            | 2024/4/28 | 2Year         |
| 6 db attenuator       | AR-WORLDWIDE  | 6dB/50FH-006-100 | 324011       | 2024/4/28 | 1Year         |
| Test Software         | Farad         | Ver.RA-03A1      | --           | N/A       | N/A           |

**For other test items:**

| Equipment                         | Manufacturer | Model No. | Serial No. | Last Cal. | Cal. Interval |
|-----------------------------------|--------------|-----------|------------|-----------|---------------|
| Wireless Connectivity Tester      | R&S          | CMW270    | 102543     | 2024/4/29 | 1Year         |
| Automatic Control Unit            | Tonscend     | JS0806-2  | 2118060480 | 2024/4/29 | 1Year         |
| Signal Analyzer                   | KEYSIGHT     | N9010B    | MY60242456 | 2024/4/29 | 1Year         |
| Analog Signal Generator           | KEYSIGHT     | N5173B    | MY61252625 | 2024/4/29 | 1Year         |
| UP/DOWN-Converter                 | R&S          | CMW-Z800A | 100274     | 2024/4/29 | 1Year         |
| Vector Signal Generator           | KEYSIGHT     | N5182B    | MY61252674 | 2024/4/29 | 1Year         |
| Frequency Extender                | KEYSIGHT     | N5182BX07 | MY59362541 | 2024/4/29 | 1Year         |
| Temperature&Humidity test chamber | ESPEC        | EL-02KA   | 12107166   | 2024/4/29 | 1 Year        |
| Radio frequency test system       | Tonscend     | JS1120-3  | --         | N/A       | N/A           |

**For measurement cables(It is from the antenna end of EUTto the test port of test equipment.)**

| Equipment         | Manufacturer              | cable loss | Application frequency band | Measurement data of line loss comes from | Last Cal. | Cal. Interval |
|-------------------|---------------------------|------------|----------------------------|--|-----------|---------------|
| Measurement cable | Provided by the applicant | 0.5 dBm    | 2402-2480MHz               | Manufacturers claim themselves.          | N/A       | N/A           |



### 4.3 DESCRIPTION OF TEST MODES

The EUT has been tested under its typical operating condition.

The EUT configuration for testing is installed on RF field strength measurement to meet the Commissions requirement and operating in a manner which intends to maximize its emission characteristics in a continuous normal application.

The Transmitter was operated in the normal operating mode. The TX frequency was fixed which was for the purpose of the measurements.

Test of channel included the lowest and middle and highest frequency to perform the test, then record on this report.

Those data rates (1Mbps for GFSK modulation(DH5); 2Mbps for  $\pi/4$ -DQPSK modulation(2DH5); 3Mbps for 8DPSK modulation(3DH5);)were used for all test.

Pre-defined engineering program for regulatory testing used to control the EUT for staying in continuous transmitting and receiving mode is programmed.

#### Frequency and Channel list for Bluetooth

| Channel | Frequency (MHz) | Channel | Frequency (MHz) | Channel | Frequency (MHz) |
|---------|-----------------|---------|-----------------|---------|-----------------|
| 0       | 2402            | 39      | 2441            | ...     | ...             |
| 1       | 2403            | 40      | 2442            | 76      | 2478            |
| 2       | 2404            | 41      | 2443            | 77      | 2479            |
| ...     | ...             | ...     | ...             | 78      | 2480            |

Note:  $f_c=2402\text{MHz}+k\times 1\text{MHz}$   $k=0$  to 78

#### Test Frequency and channel for Bluetooth

| Lowest Frequency |                 | Middle Frequency |                 | Highest Frequency |                 |
|------------------|-----------------|------------------|-----------------|-------------------|-----------------|
| Channel          | Frequency (MHz) | Channel          | Frequency (MHz) | Channel           | Frequency (MHz) |
| 0                | 2402            | 39               | 2441            | 78                | 2480            |

## 5 FACILITIES AND ACCREDITATIONS

### 5.1 FACILITIES

All measurement facilities used to collect the measurement data are located at:

EMTEK (DONGGUAN) CO., LTD.

1&2/F., Building 2, Zone A, Zhongda Marine Biotechnology Research and Development Base, No.9, Xincheng Avenue, Songshanhu High-technology Industrial Development Zone, Dongguan, Guangdong, China

The sites are constructed in conformance with the requirements of ANSI C63.7, ANSI C63.4 and CISPR Publication 22.

### 5.2 EQUIPMENT

Radiated emissions are measured with one or more of the following types of linearly polarized antennas: tuned dipole, biconical, log periodic, bi-log, and/or ridged waveguide, horn. Spectrum analyzers with preselectors and quasi-peak detectors are used to perform radiated measurements.

Conducted emissions are measured with Line Impedance Stabilization Networks and EMI Test Receivers.

Calibrated wideband preamplifiers, coaxial cables, and coaxial attenuators are also used for making measurements.

All receiving equipment conforms to CISPR Publication 16-1, "Radio Interference Measuring Apparatus and Measurement Methods."

### 5.3 LABORATORY ACCREDITATIONS AND LISTINGS

Site Description

EMC Lab.

: **Accredited by CNAS**

The Laboratory has been assessed and proved to be in compliance with CNAS-CL01:2018

The Certificate Registration Number is L3150

**Accredited by FCC**

Designation Number: CN1300

Test Firm Registration Number: 945551

**Accredited by A2LA**

The Certificate Registration Number is 4321.02

**Accredited by Industry Canada**

The Certificate Registration Number is CN0113

Name of Firm

: EMTEK (DONGGUAN) CO., LTD.

Site Location

: 1&2/F., Building 2, Zone A, Zhongda Marine Biotechnology Research and Development Base, No.9, Xincheng Avenue, Songshanhu High-technology Industrial Development Zone, Dongguan, Guangdong, China

## 6 TEST SYSTEM UNCERTAINTY

The following measurement uncertainty levels have been estimated for tests performed on the apparatus:

Table 1

| Test Parameter                 | Measurement Uncertainty |
|--------------------------------|-------------------------|
| Radio Frequency                | $\pm 1 \times 10^{-5}$  |
| Maximum Peak Output Power Test | $\pm 1.0\text{dB}$      |
| Conducted Emissions Test       | See below               |
| Radiated Emission Test         | $\pm 2.0\text{dB}$      |
| Power Density                  | $\pm 2.0\text{dB}$      |
| Occupied Bandwidth Test        | $\pm 1.0\text{dB}$      |
| Band Edge Test                 | $\pm 3\text{dB}$        |
| All emission, radiated         | See below               |
| Antenna Port Emission          | $\pm 3\text{dB}$        |
| Temperature                    | $\pm 0.5^\circ\text{C}$ |
| Humidity                       | $\pm 3\%$               |

Table 2

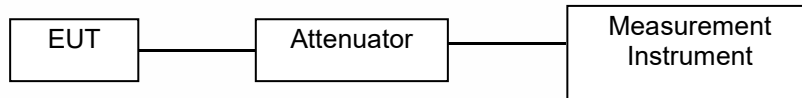
| Test Item                                     | Uncertainty   |
|---|---|
| Conducted Emission Uncertainty                | : 2.08dB(9K-150KHz)<br>2.42dB(150K-30MHz)   |
| Radiated Emission Uncertainty<br>(3m Chamber) | : 3.32dB (30M~1GHz Polarize: H)<br>3.34dB (30M~1GHz Polarize: V)<br>4.98dB (1~6GHz)<br>5.20dB (6~18GHz) |

Measurement Uncertainty for a level of Confidence of 95%

## 7 SETUP OF EQUIPMENT UNDER TEST

### 7.1 RADIO FREQUENCY TEST SETUP 1

The Bluetooth component's antenna ports(s) of the EUT are connected to the measurement instrument per an appropriate attenuator. The EUT is controlled by PC/software to emit the specified signals for the purpose of measurements.



### 7.2 RADIO FREQUENCY TEST SETUP 2

The test site semi-anechoic chamber has met the requirement of NSA tolerance 4 dB according to the standards: ANSI C63.10. The test distance is 3m. The setup is according to the requirements in Section 13.1.4.1 of ANSI C63.10-2013 and CAN/CSA-CEI/IEC CISPR 22.

Below 30MHz:

The EUT is placed on a turntable 0.8meters above the ground in the chamber, 3 meter away from the antenna (loop antenna). The Antenna should be positioned with its plane vertical at the specified distance from the EUT and rotated about its vertical axis for maximum response at each azimuth about the EUT. The center of the loop shall be 1 m above the ground. For certain applications, the loop antenna plane may also need to be positioned horizontally at the specified distance from the EUT.

Above 30MHz:

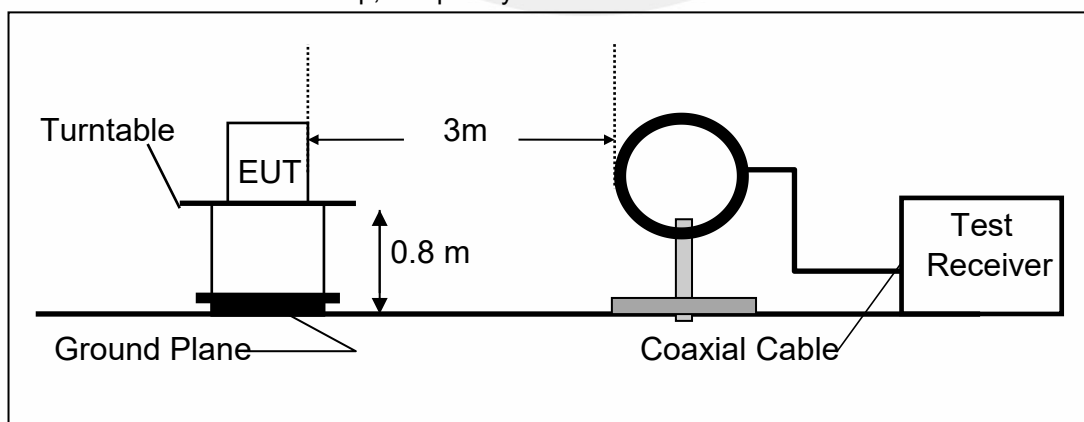
The EUT is placed on a turntable 0.8meters above the ground in the chamber, 3 meter away from the antenna. The maximal emission value is acquired by adjusting the antenna height, polarisation and turntable azimuth. Normally, the height range of antenna is 1 m to 4 m, the azimuth range of turntable is 0° to 360°, and the receive antenna has two polarizations Vertical (V) and Horizontal (H).

Above 1GHz:

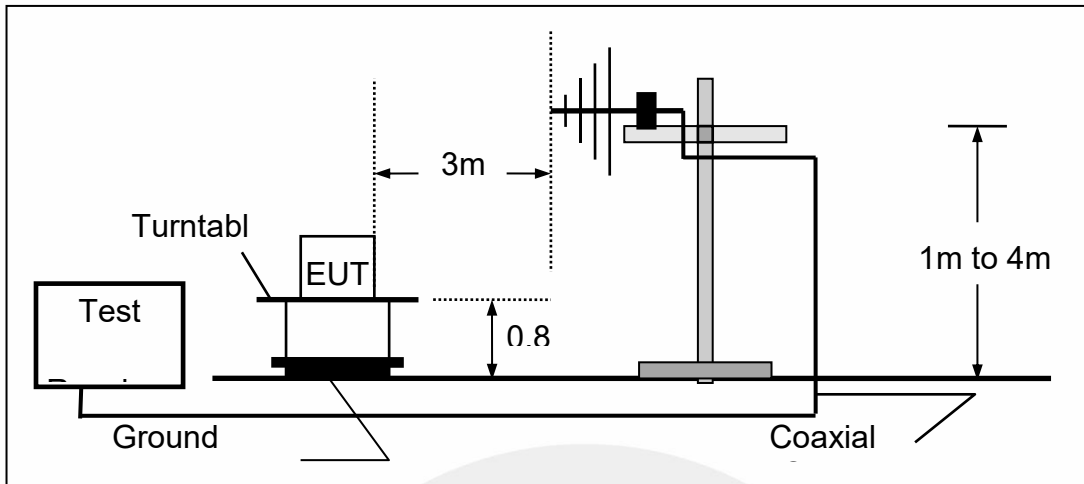
(Note: the FCC's permission to use 1.5m as an alternative per TCBC Conf call of Dec. 2, 2014.)

The EUT is placed on a turntable 1.5 meters above the ground in the chamber, 3 meter away from the antenna. The maximal emission value is acquired by adjusting the antenna height, polarisation and turntable azimuth. Normally, the height range of antenna is 1 m to 4 m, the azimuth range of turntable is 0° to 360°, and the receive antenna has two polarizations Vertical (V) and Horizontal (H).

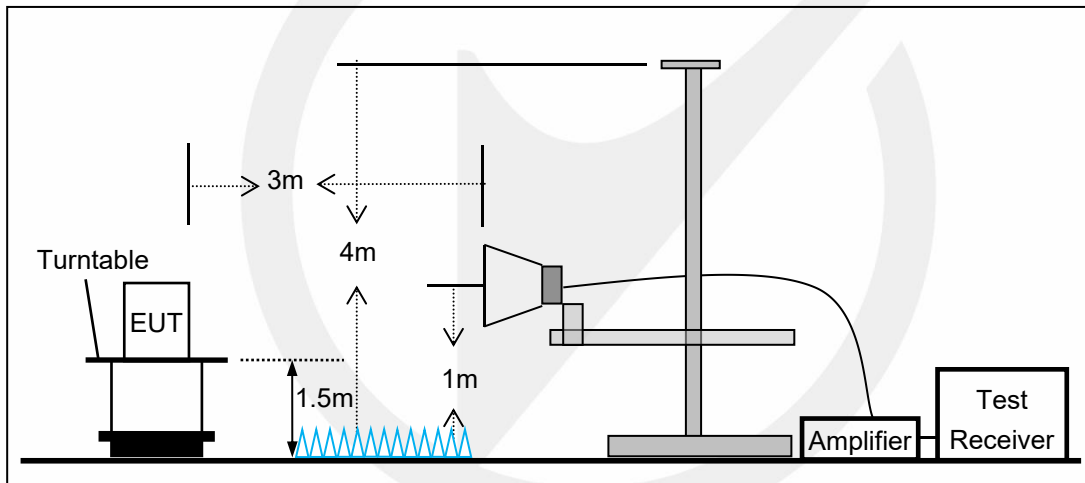
(a) Radiated Emission Test Set-Up, Frequency Below 30MHz



(b) Radiated Emission Test Set-Up, Frequency Below 1000MHz



(c) Radiated Emission Test Set-Up, Frequency above 1000MHz

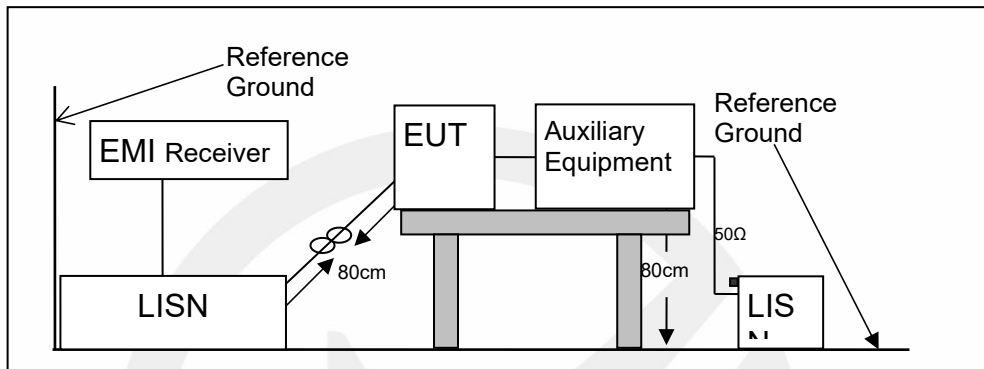


### 7.3 CONDUCTED EMISSION TEST SETUP

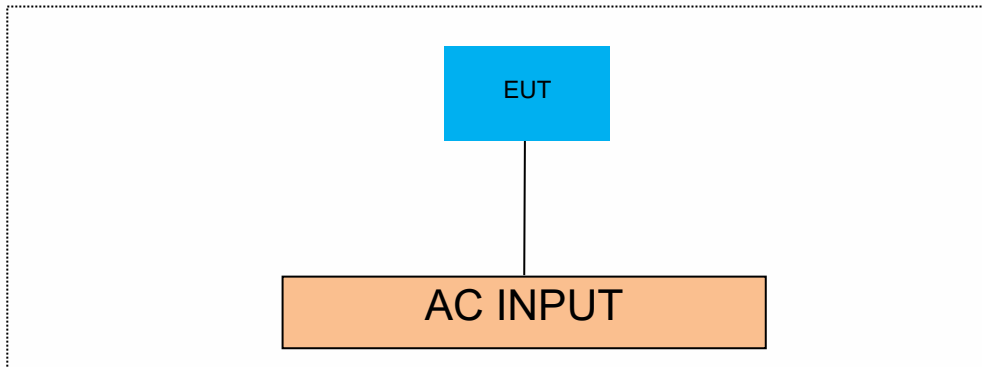
The mains cable of the EUT (Perfect Share Mini) must be connected to LISN. The LISN shall be placed 0.8m from the boundary of EUT and bonded to a ground reference plane for LISN mounted on top of the ground reference plane. This distance is between the closest points of the LISN and the EUT. All other units of the EUT and associated equipment shall be at least 0.8m from the LISN.

Ground connections, where required for safety purposes, shall be connected to the reference ground point of the LISN and, where not otherwise provided or specified by the manufacturer, shall be of same length as the mains cable and run parallel to the mains connection at a separation distance of not more than 0.8m.

According to the requirements in Section 13.1.4.1 of ANSI C63.10-2013 Conducted emissions from the EUT measured in the frequency range between 0.15 MHz and 30 MHz using CISPR Quasi-Peak and average detector mode.



#### 7.4 BLOCK DIAGRAM CONFIGURATION OF TEST SYSTEM



#### 7.5 SUPPORT EQUIPMENT

| EUT Cable List and Details |            |                     |                        |
|----------------------------|------------|---------------------|------------------------|
| Cable Description          | Length (m) | Shielded/Unshielded | With / Without Ferrite |
| /                          | /          | /                   | /                      |

| Auxiliary Cable List and Details |            |                     |                        |
|----------------------------------|------------|---------------------|------------------------|
| Cable Description                | Length (m) | Shielded/Unshielded | With / Without Ferrite |
| USB line                         | 0.3        | /                   | /                      |

| Auxiliary Equipment List and Details |              |       |                        |
|--------------------------------------|--------------|-------|------------------------|
| Description                          | Manufacturer | Model | Serial Number          |
| Notebook                             | Lenovo       | E46L  | 11S168003748Z0LR06E0HG |
| Adaptor                              | Apple        | /     | /                      |
| /                                    | /            | /     | /                      |

**Notes:**

1. All the equipment/cables were placed in the worst-case configuration to maximize the emission during the test.
2. Grounding was established in accordance with the manufacturer's requirements and conditions for the intended use.

## 8 FREQUENCY HOPPING SYSTEM REQUIREMENTS

### 8.1 Standard Applicable

According to FCC Part 15.247(a)(1), The system shall hop to channel frequencies that are selected at the system hopping rate from a pseudo randomly ordered list of hopping frequencies. Each frequency must be used equally on the average by each transmitter. The system receivers shall have input bandwidths that match the hopping channel bandwidths of their corresponding transmitters and shall shift frequencies in synchronization with the transmitted signals.

(g) Frequency hopping spread spectrum systems are not required to employ all available hopping channels during each transmission. However, the system, consisting of both the transmitter and the receiver, must be designed to comply with all of the regulations in this section should the transmitter be presented with a continuous data (or information) stream. In addition, a system employing short transmission bursts must comply with the definition of a frequency hopping system and must distribute its transmissions over the minimum number of hopping channels specified in this section.

(h) The incorporation of intelligence within a frequency hopping spread spectrum system that permits the system to recognize other users within the spectrum band so that it individually and independently chooses and adapts its hopsets to avoid hopping on occupied channels is permitted. The coordination of frequency hopping systems in any other manner for the express purpose of avoiding the simultaneous occupancy of individual hopping frequencies by multiple transmitters is not permitted.

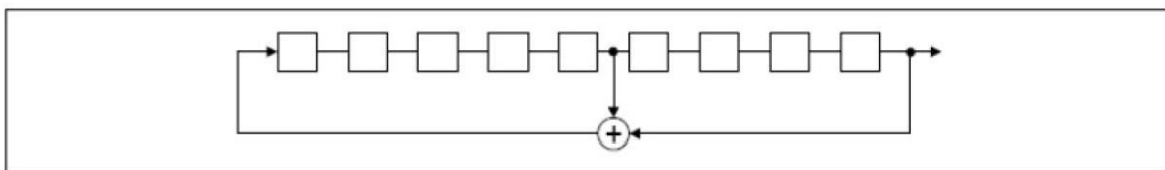
### 8.2 EUT Pseudorandom Frequency Hopping Sequence

The channel is represented by a pseudo-random hopping sequence hopping through the 79 RF channels. The hopping sequence is unique for the piconet and is determined by the Bluetooth device address of the master; the phase in the hopping sequence is determined by the Bluetooth clock of the master. The channel is divide into time slots where each slot corresponds to an RF hop frequency. Consecutive hops correspond to different RF hop frequencies. The normal hop is 1 600 hops/s.

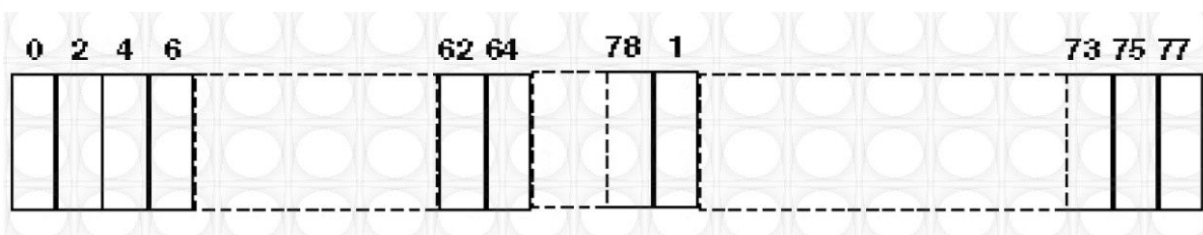
The pseudorandom sequence may be generated in a nine-stage shift register whose 5th and 9th stage outputs are added in a modulo-two addition stage, and the result is fed back to the input of the first stage. The sequence begins with the first ONE of 9 consecutive ONES; i.e. the shift register is initialized with nine ones. Number of shift register stages: 9

Length of pseudo-random sequence:  $2^9 - 1 = 511$  bits

Longest sequence of zeros: 8 (non-inverted signal)



*Linear Feedback Shift Register for Generation of the PRBS sequence*





Each frequency used equally on the average by each transmitter.

The system receiver have input bandwidths that match the hopping channel bandwidths of their corresponding transmitters and shift frequencies in synchronization with the transmitted signals.

### 8.3 Equal Hopping Frequency Use

All Bluetooth units participating in the piconet are time and hop-synchronized to the channel.

Example of a 79 hopping sequence in data mode:

35, 27, 6, 44, 14, 61, 74, 32, 1, 11, 23, 2, 55, 65, 29, 3, 9, 52, 78, 58, 40, 25, 0, 7, 18, 26, 76, 60, 47, 50, 2, 5, 16, 37, 70, 63, 66, 54, 20, 13, 4, 8, 15, 21, 26, 10, 73, 77, 67, 69, 43, 24, 57, 39, 46, 72, 48, 33, 17, 31, 75, 19, 41, 62, 68, 28, 51, 66, 30, 56, 34, 59, 71, 22, 49, 64, 38, 45, 36, 42, 53

Each Frequency used equally on the average by each transmitter

### 8.4 Frequency Hopping System

This transmitter device is frequency hopping device, and complies with FCC part 15.247 rule.

This device uses Bluetooth radio which operates in 2400-2483.5 MHz band. Bluetooth uses a radio technology called frequency-hopping spread spectrum, which chops up the data being sent and transmits chunks of it on up to 79 bands (1 MHz each; centred from 2402 to 2480 MHz) in the range 2,400-2,483.5 MHz. The transmitter switches hop frequencies 1,600 times per second to assure a high degree of data security. All Bluetooth devices participating in a given piconet are synchronized to the frequency-hopping channel for the piconet. The frequency hopping sequence is determined by the master's device address and the phase of the hopping sequence (the frequency to hop at a specific time) is determined by the master's internal clock. Therefore, all slaves in a piconet must know the master's device address and must synchronize their clocks with the master's clock.

Adaptive Frequency Hopping (AFH) was introduced in the Bluetooth specification to provide an effective way for a Bluetooth radio to counteract normal interference. AFH identifies "bad" channels, where either other wireless devices are interfering with the Bluetooth signal or the Bluetooth signal is interfering with another device. The AFH-enabled Bluetooth device will then communicate with other devices within its piconet to share details of any identified bad channels. The devices will then switch to alternative available "good" channels, away from the areas of interference, thus having no impact on the bandwidth used.

## 9 TEST REQUIREMENTS

### 9.1 20DB&99%BANDWIDTH

#### 9.1.1 Applicable Standard

According to FCC Part 15.247(a)(1) and KDB 558074 D01 15.247 MEAS GUIDANCE v05r02  
 According to IC RSS-247.5.1 and RSS-Gen.6.7

#### 9.1.2 Conformance Limit

No limit requirement.

#### 9.1.3 Test Configuration

Test according to clause 7.1 radio frequency test setup 1

#### 9.1.4 Test Procedure

The EUT was operating in Bluetooth mode and controlled its channel. Printed out the test result from the spectrum by hard copy function.

The RF output of EUT was connected to the spectrum analyzer by RF cable and attenuator. The path loss was compensated to the results for each measurement.

Set to the maximum power setting and enable the EUT transmit continuously

Set RBW = 30 kHz.

Set the video bandwidth (VBW) =100 kHz.

Set Span= approximately 2 to 3 times the 20 dB bandwidth

Set Detector = Peak.

Set Trace mode = max hold.

Set Sweep = auto couple.

The EUT should be transmitting at its maximum data rate. Allow the trace to stabilize. Use the marker-to-peak function to set the marker to the peak of the emission. Use the marker-delta function to measure 20 dB down one side of the emission. Reset the markerdelta function, and move the marker to the other side of the emission, until it is (as close as possible to) even with the reference marker level. The marker-delta reading at this point is the 20 dB bandwidth of the emission.

If this value varies with different modes of operation (e.g., data rate, modulation format, etc.), repeat this test for each variation.

Measure and record the results in the test report.

#### Test Results

|                    |           |
|--------------------|-----------|
| Temperature:       | 25° C     |
| Relative Humidity: | 45%       |
| ATM Pressure:      | 1011 mbar |

Note: N/A

| TestMode | Antenna | Frequency[MHz] | 20db EBW[MHz] | FL[MHz]  | FH[MHz]  | Limit[MHz] | Verdict |
|----------|---------|----------------|---------------|----------|----------|------------|---------|
| DH5      | Ant1    | 2402           | 0.954         | 2401.532 | 2402.486 | ---        | ---     |
| DH5      | Ant1    | 2441           | 0.954         | 2440.532 | 2441.486 | ---        | ---     |
| DH5      | Ant1    | 2480           | 0.954         | 2479.532 | 2480.486 | ---        | ---     |
| 2DH5     | Ant1    | 2402           | 1.287         | 2401.370 | 2402.657 | ---        | ---     |
| 2DH5     | Ant1    | 2441           | 1.290         | 2440.367 | 2441.657 | ---        | ---     |
| 2DH5     | Ant1    | 2480           | 1.290         | 2479.367 | 2480.657 | ---        | ---     |
| 3DH5     | Ant1    | 2402           | 1.299         | 2401.352 | 2402.651 | ---        | ---     |
| 3DH5     | Ant1    | 2441           | 1.296         | 2440.352 | 2441.648 | ---        | ---     |
| 3DH5     | Ant1    | 2480           | 1.293         | 2479.355 | 2480.648 | ---        | ---     |



DH5-Ant1-2402



DH5-Ant1-2441



DH5-Ant1-2480



2DH5-Ant1-2402

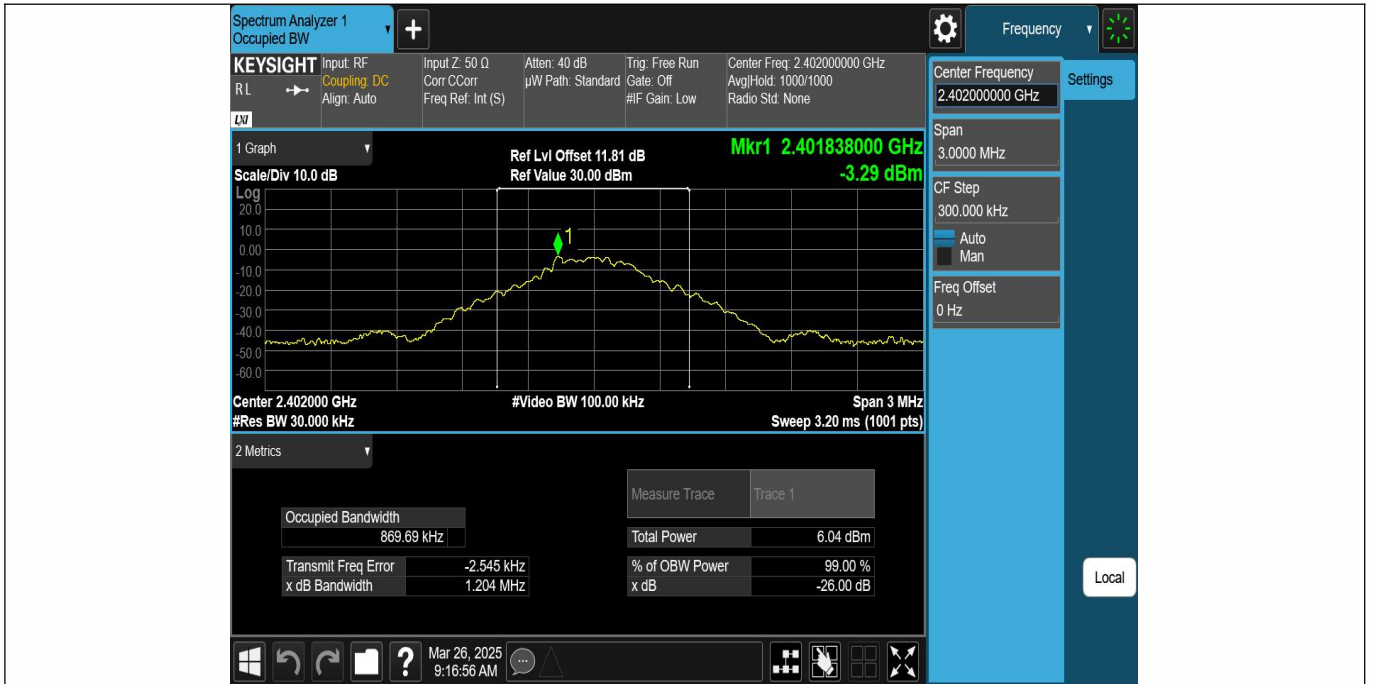






### Occupied Channel Bandwidth

| TestMode | Antenna | Frequency[MHz] | OCB [MHz] | FL[MHz]   | FH[MHz]   | Limit[MHz] | Verdict |
|----------|---------|----------------|-----------|-----------|-----------|------------|---------|
| DH5      | Ant1    | 2402           | 0.86969   | 2401.5626 | 2402.4323 | ---        | ---     |
| DH5      | Ant1    | 2441           | 0.87158   | 2440.5618 | 2441.4333 | ---        | ---     |
| DH5      | Ant1    | 2480           | 0.87656   | 2479.5603 | 2480.4368 | ---        | ---     |
| 2DH5     | Ant1    | 2402           | 1.1756    | 2401.4114 | 2402.5870 | ---        | ---     |
| 2DH5     | Ant1    | 2441           | 1.1780    | 2440.4104 | 2441.5884 | ---        | ---     |
| 2DH5     | Ant1    | 2480           | 1.1784    | 2479.4103 | 2480.5887 | ---        | ---     |
| 3DH5     | Ant1    | 2402           | 1.1799    | 2401.4113 | 2402.5912 | ---        | ---     |
| 3DH5     | Ant1    | 2441           | 1.1812    | 2440.4101 | 2441.5913 | ---        | ---     |
| 3DH5     | Ant1    | 2480           | 1.1824    | 2479.4102 | 2480.5926 | ---        | ---     |

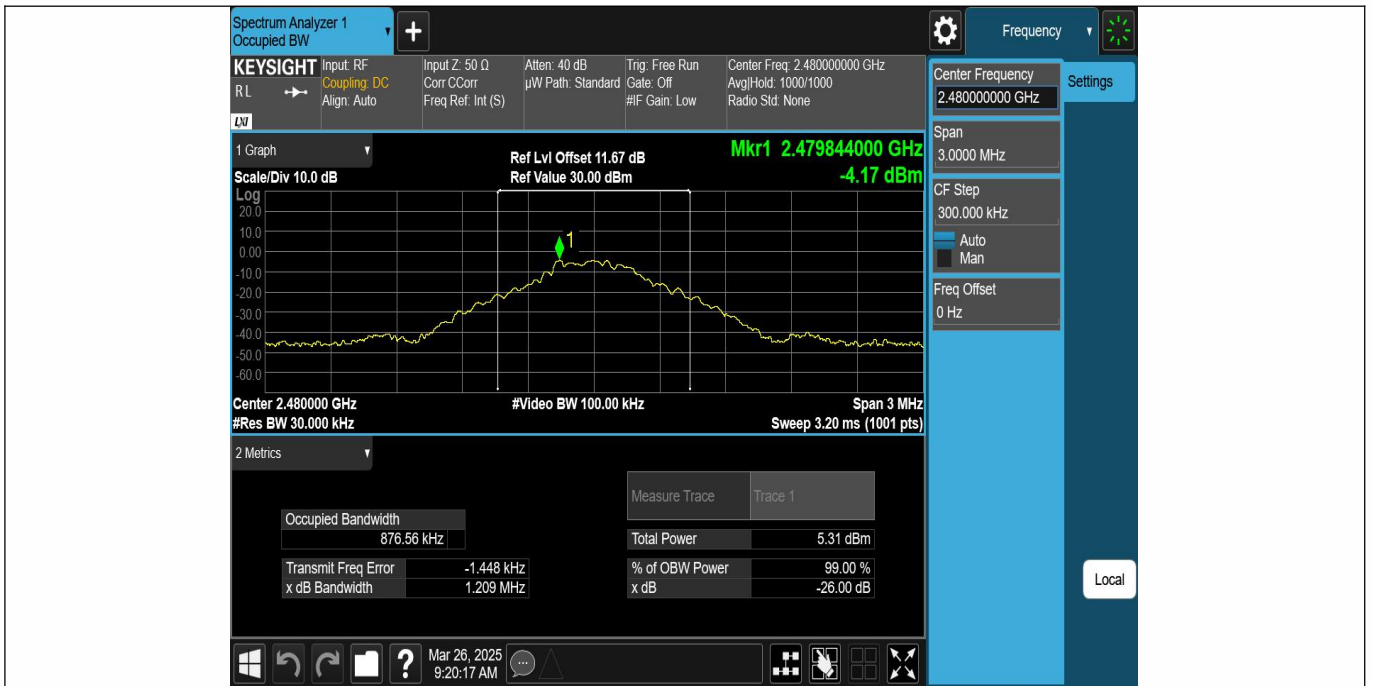


DH5-Ant1-2402



DH5-Ant1-2441

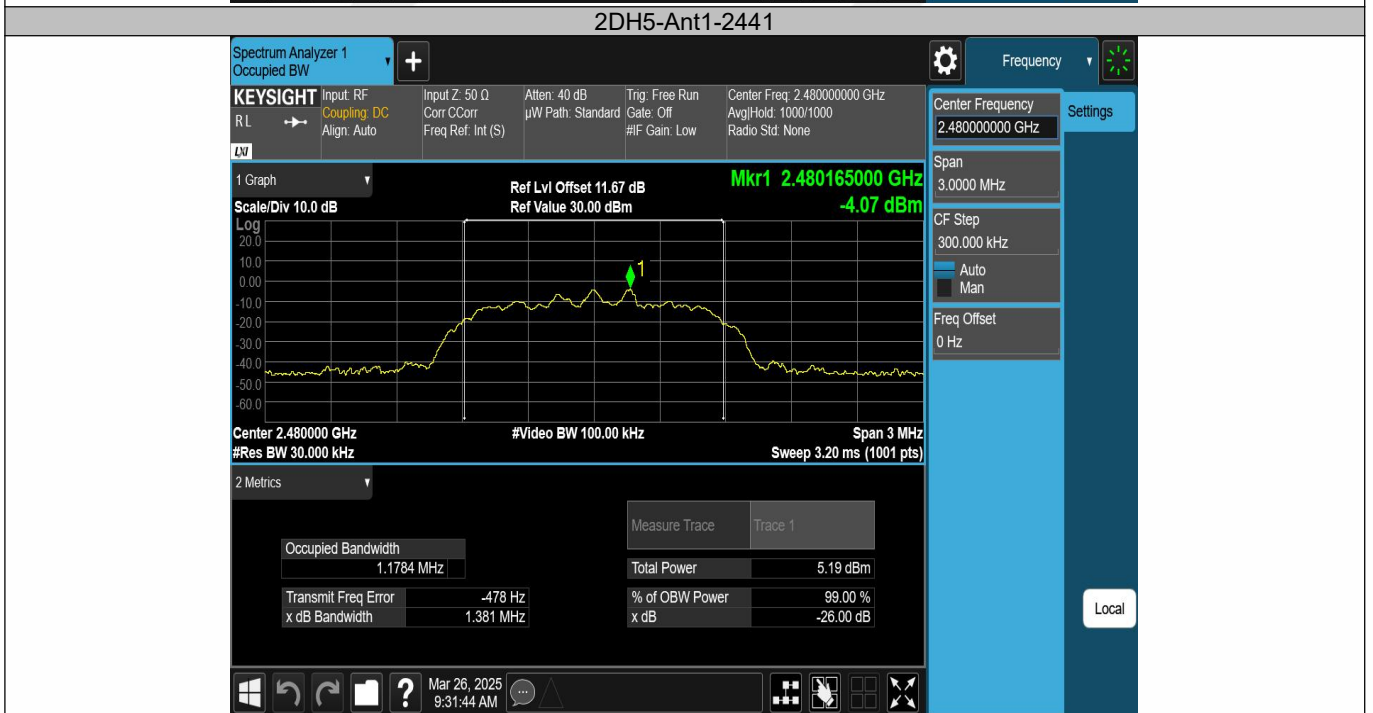




DH5-Ant1-2480



2DH5-Ant1-2402







3DH5-Ant1-2480

## 9.2 CARRIER FREQUENCY SEPARATION

### 9.2.1 Applicable Standard

According to FCC Part 15.247(a)(1) and KDB 558074 D01 15.247 MEAS GUIDANCE v05r02  
 According to IC RSS-247.5.1

### 9.2.2 Conformance Limit

Frequency hopping systems operating in the 2400-2483.5MHz band shall have hopping channel carrier frequencies separated by a minimum of 25kHz or the 20dB bandwidth of the hopping channel, whichever is greater.

In case of an output power less than 125mW, the frequency hopping system may have channels separated by a minimum of 25kHz or two-thirds of the 20dB bandwidth of the hopping channel, whichever is greater.

### 9.2.3 Test Configuration

Test according to clause 7.1 radio frequency test setup 1

### 9.2.4 Test Procedure

The EUT must have its hopping function enabled. Use the following spectrum analyzer settings:

Set the RBW =300kHz. Set VBW =300kHz.

Set the span = wide enough to capture the peaks of two adjacent channels

Set Sweep time = auto couple.

Set Detector = peak. Set Trace mode = max hold.

Allow the trace to stabilize. Use the marker-delta function to determine the separation between the peaks of the adjacent channels. The limit is specified in one of the subparagraphs of this Section. Submit this plot.

### Test Results

|                    |           |
|--------------------|-----------|
| Temperature:       | 25° C     |
| Relative Humidity: | 45%       |
| ATM Pressure:      | 1011 mbar |

Note: For Limit = 20dB bandwidth \* 2/3

| TestMode | Antenna | Frequency[MHz] | Result[MHz] | Limit[MHz] | Verdict |
|----------|---------|----------------|-------------|------------|---------|
| DH5      | Ant1    | Hop            | 0.988       | ≥0.636     | PASS    |
| 2DH5     | Ant1    | Hop            | 1.004       | ≥0.860     | PASS    |
| 3DH5     | Ant1    | Hop            | 0.994       | ≥0.866     | PASS    |



DH5-Ant1-Hop-PASS



2DH5-Ant1-Hop-PASS



### 9.3 NUMBER OF HOPPING FREQUENCIES

#### 9.3.1 Applicable Standard

According to FCC Part 15.247(a)(1) and KDB 558074 D01 15.247 MEAS GUIDANCE v05r02  
 According to IC RSS-247.5.1

#### 9.3.2 Conformance Limit

Frequency hopping systems operating in the 2400-2483.5MHz band shall use at least 15 channels.

#### 9.3.3 Test Configuration

Test according to clause 7.1 radio frequency test setup 1

#### 9.3.4 Test Procedure

The EUT must have its hopping function enabled. Use the following spectrum analyzer settings:

Span = the frequency band of operation (2400-2483.5MHz)

RBW = 300KHz

VBW ≥ RBW

Sweep = auto

Detector function = peak

Trace = max hold

Allow the trace to stabilize. It may prove necessary to break the span up to sections, in order to clearly show all of the hopping frequencies.

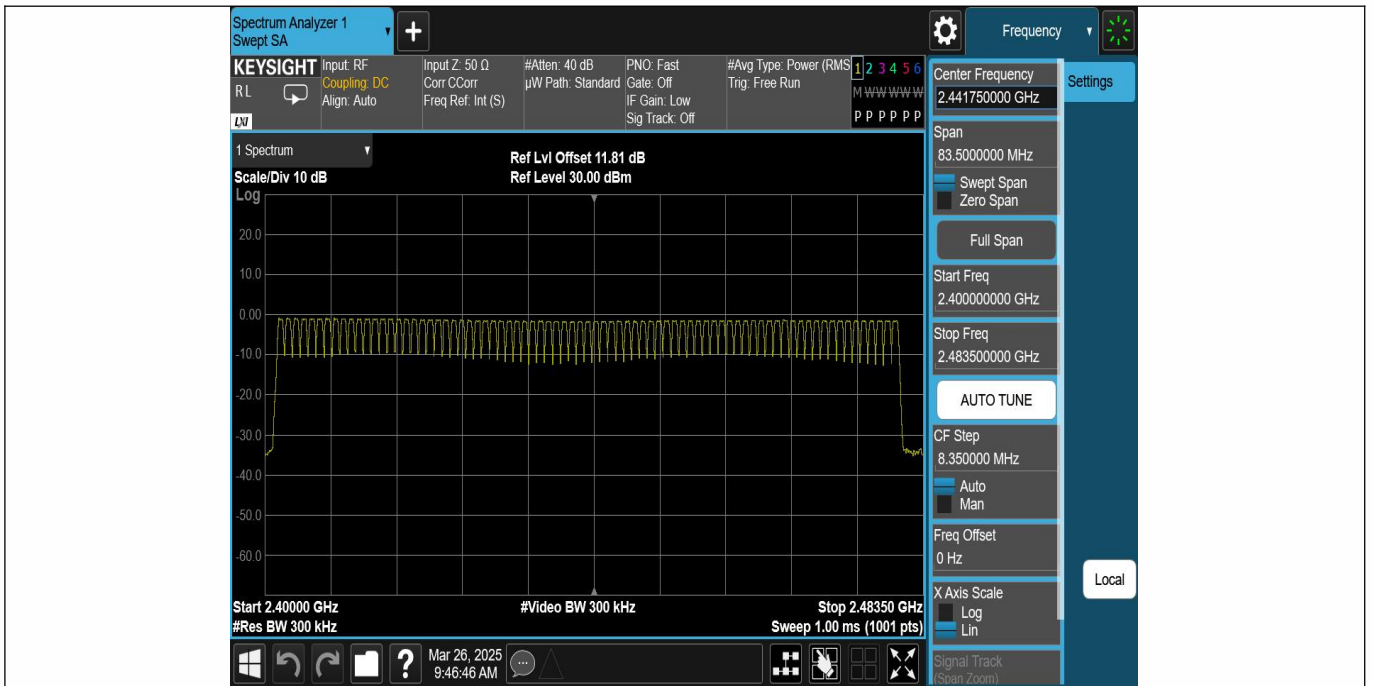
#### Test Results

|                    |           |
|--------------------|-----------|
| Temperature:       | 25° C     |
| Relative Humidity: | 45%       |
| ATM Pressure:      | 1011 mbar |

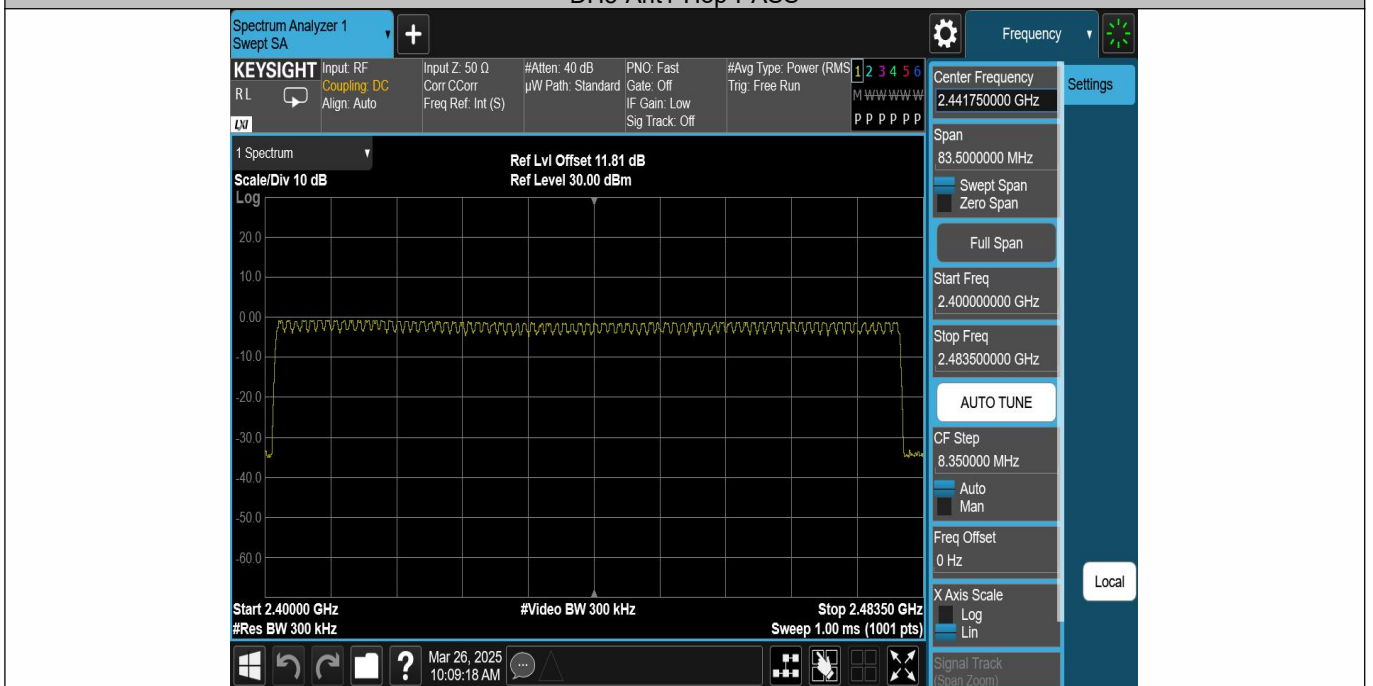
Note: N/A

| TestMode | Antenna | Frequency[MHz] | Result[Num] | Limit[Num] | Verdict |
|----------|---------|----------------|-------------|------------|---------|
| DH5      | Ant1    | Hop            | 79          | ≥15        | PASS    |
| 2DH5     | Ant1    | Hop            | 79          | ≥15        | PASS    |
| 3DH5     | Ant1    | Hop            | 79          | ≥15        | PASS    |

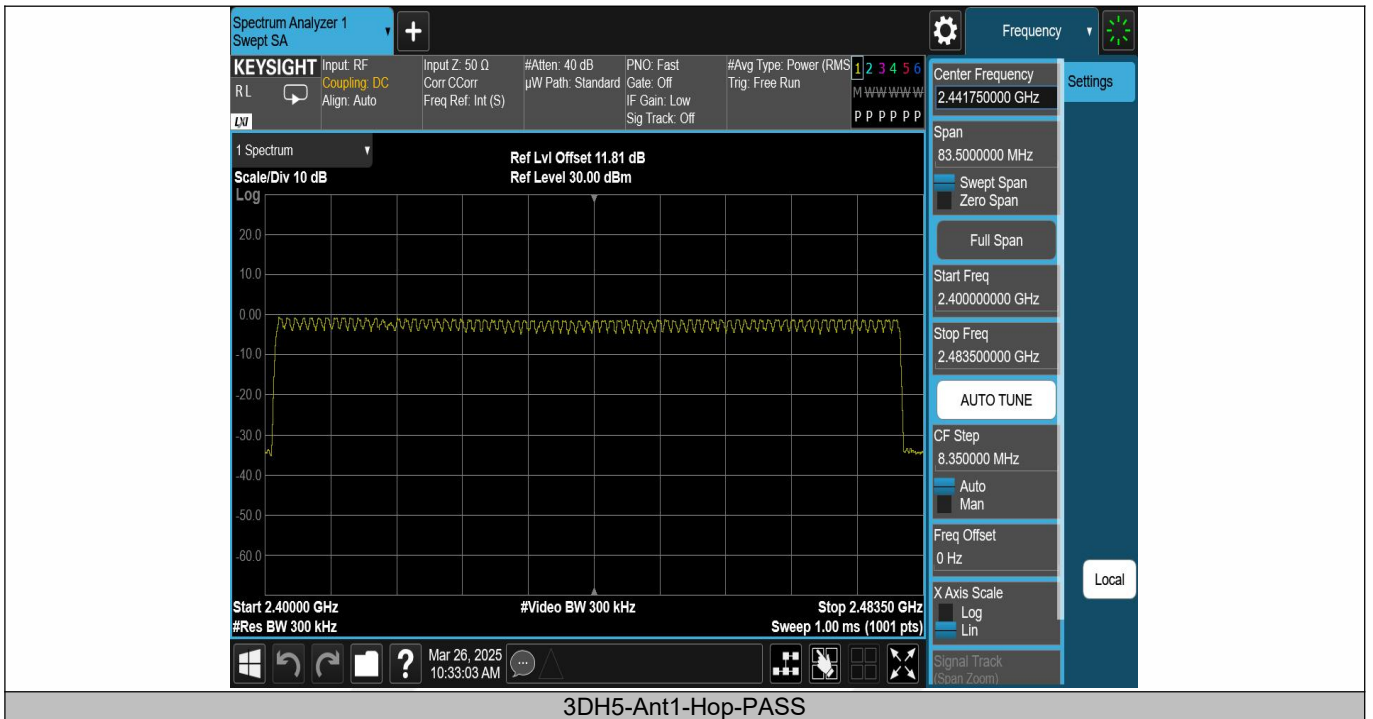




DH5-Ant1-Hop-PASS



2DH5-Ant1-Hop-PASS



## 9.4 AVERAGE TIME OF OCCUPANCY (DWELL TIME)

### 9.4.1 Applicable Standard

According to FCC Part 15.247(a)(1) and KDB 558074 D01 15.247 MEAS GUIDANCE v05r02  
According to IC RSS-247.5.1

### 9.4.2 Conformance Limit

For frequency hopping systems operating in the 2400-2483.5MHz band, the average time of occupancy on any channel shall not be greater than 0.4s within a period of 0.4s multiplied by the number of hopping channels employed.

### 9.4.3 Test Configuration

Test according to clause 7.1 radio frequency test setup 1

### 9.4.4 Test Procedure

The EUT must have its hopping function enabled. Use the following spectrum analyzer settings:

Span = zero span, centered on a hopping channel

RBW = 1 MHz

VBW ≥ RBW

Sweep = as necessary to capture the entire dwell time per hopping channel

Detector function = peak

Trace = max hold

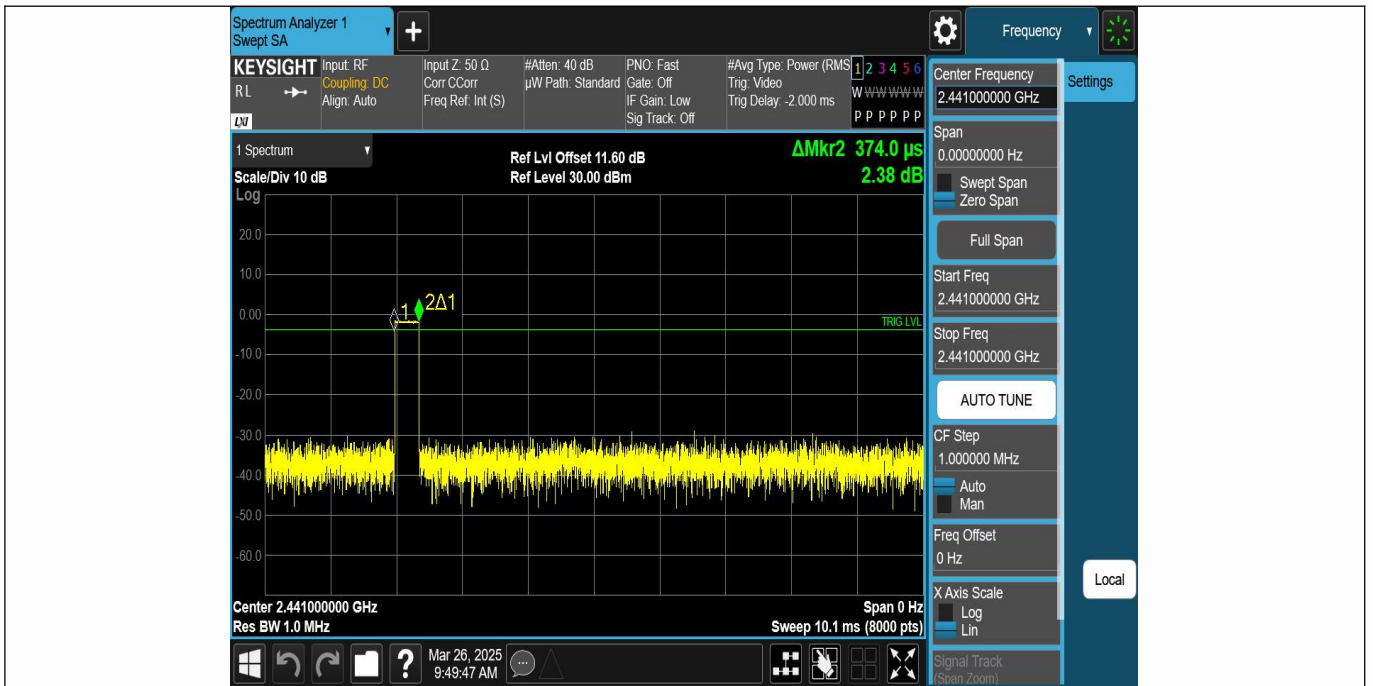
If possible, use the marker-delta function to determine the dwell time. If this value varies with different modes of operation (e.g., data rate, modulation format, etc.), repeat this test for each variation. The limit is specified in one of the subparagraphs of this Section.

### 9.4.5 Test Results

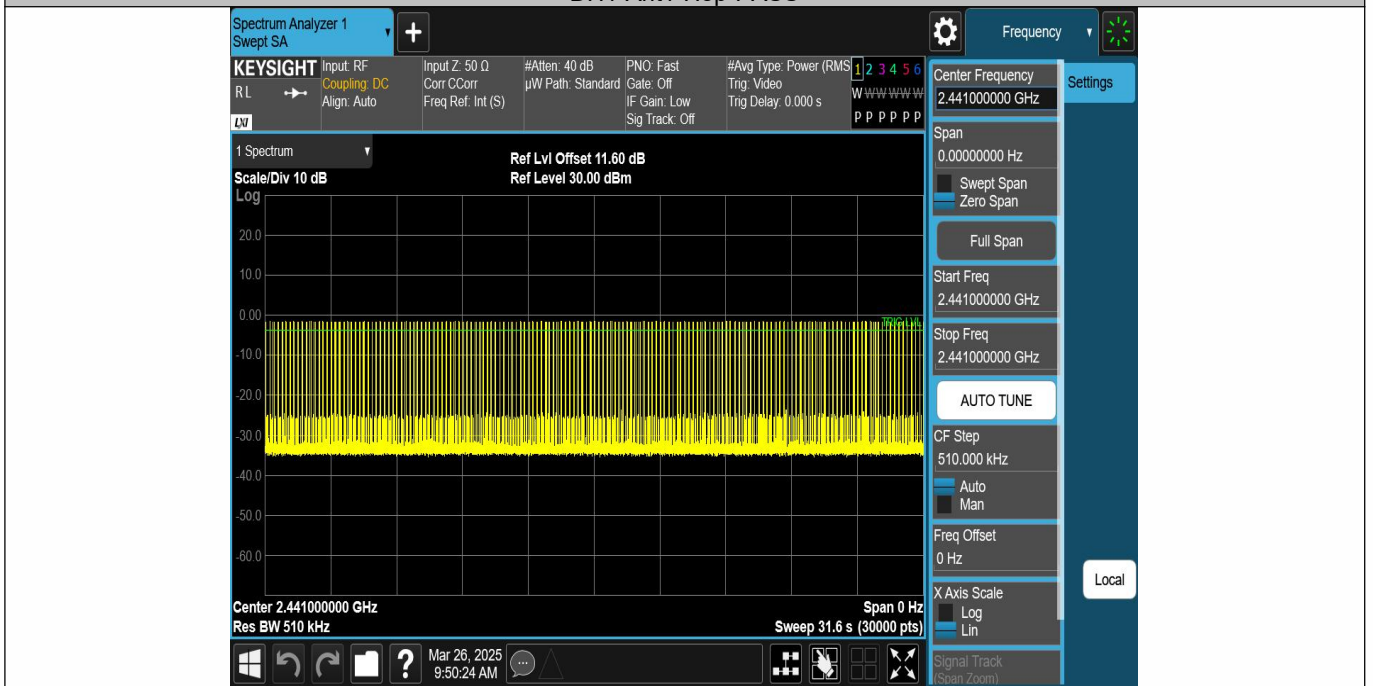
|                    |           |
|--------------------|-----------|
| Temperature:       | 25° C     |
| Relative Humidity: | 45%       |
| ATM Pressure:      | 1011 mbar |

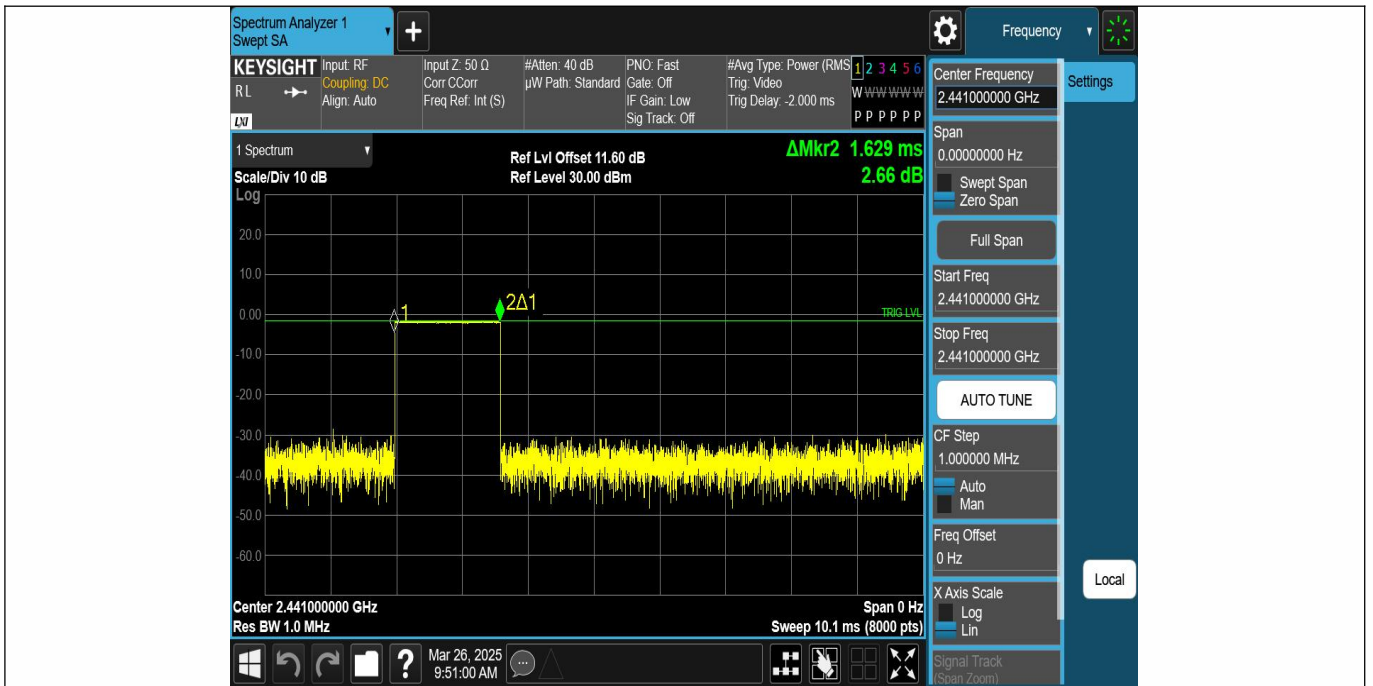
Note: Dwell Time= BurstWidth\* TotalHops

| TestMode | Antenna | Frequency[MHz] | BurstWidth [ms] | TotalHops [Num] | Result[s] | Limit[s] | Verdict |
|----------|---------|----------------|-----------------|-----------------|-----------|----------|---------|
| DH1      | Ant1    | Hop            | 0.374           | 317             | 0.119     | ≤0.4     | PASS    |
| DH3      | Ant1    | Hop            | 1.629           | 164             | 0.267     | ≤0.4     | PASS    |
| DH5      | Ant1    | Hop            | 2.878           | 110             | 0.317     | ≤0.4     | PASS    |
| 2DH1     | Ant1    | Hop            | 0.384           | 317             | 0.122     | ≤0.4     | PASS    |
| 2DH3     | Ant1    | Hop            | 1.635           | 163             | 0.267     | ≤0.4     | PASS    |
| 2DH5     | Ant1    | Hop            | 2.883           | 117             | 0.337     | ≤0.4     | PASS    |
| 3DH1     | Ant1    | Hop            | 0.385           | 317             | 0.122     | ≤0.4     | PASS    |
| 3DH3     | Ant1    | Hop            | 1.634           | 153             | 0.25      | ≤0.4     | PASS    |
| 3DH5     | Ant1    | Hop            | 2.884           | 98              | 0.283     | ≤0.4     | PASS    |

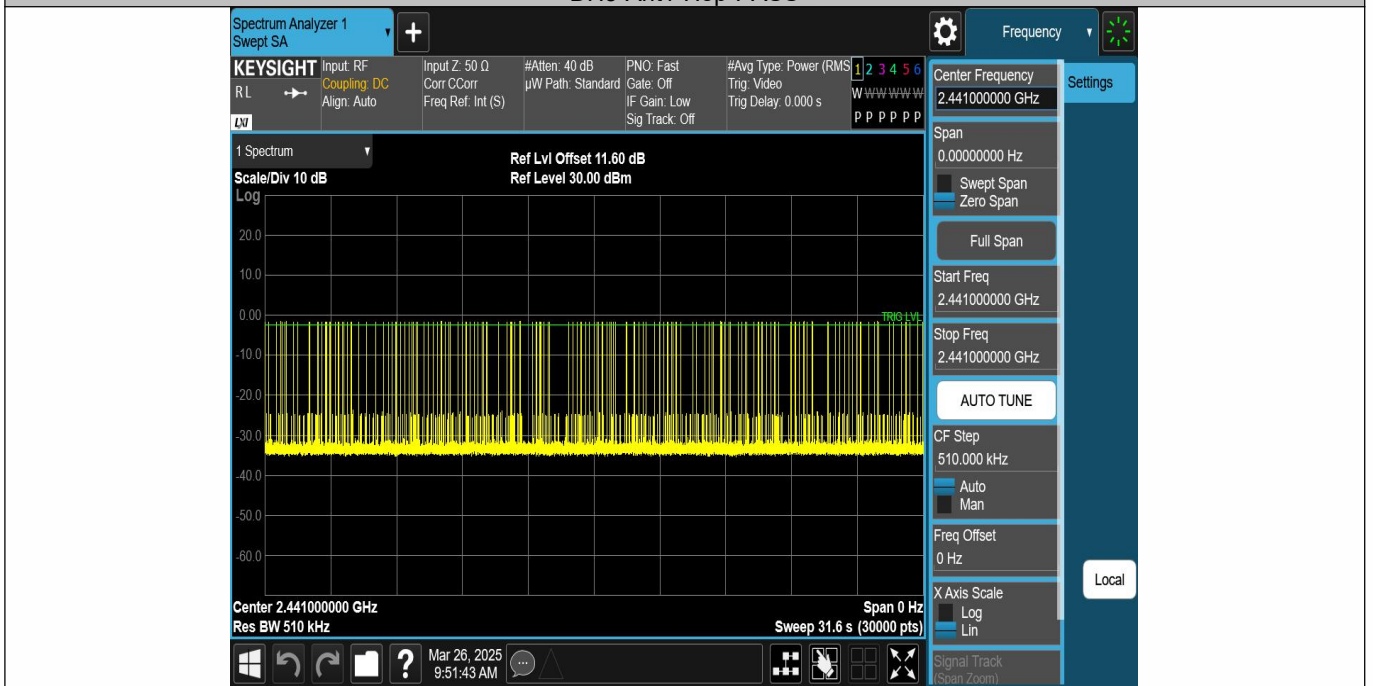


### DH1-Ant1-Hop-PASS



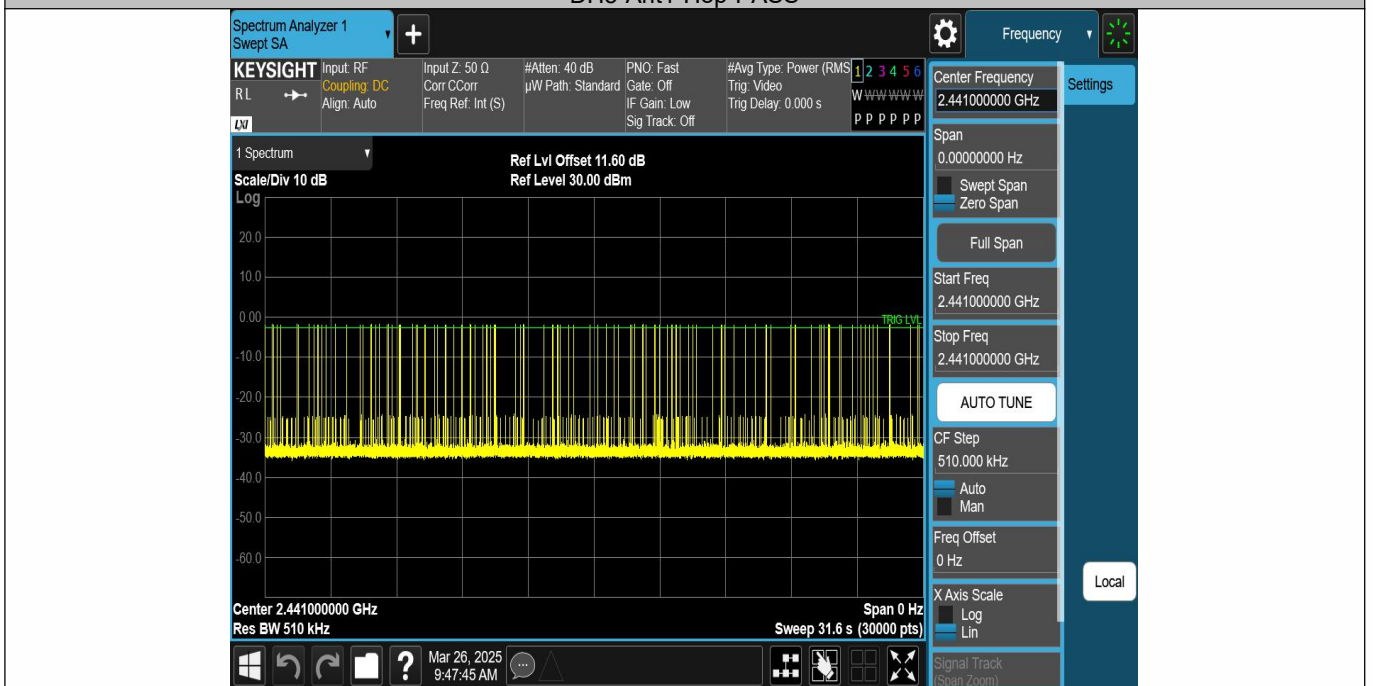


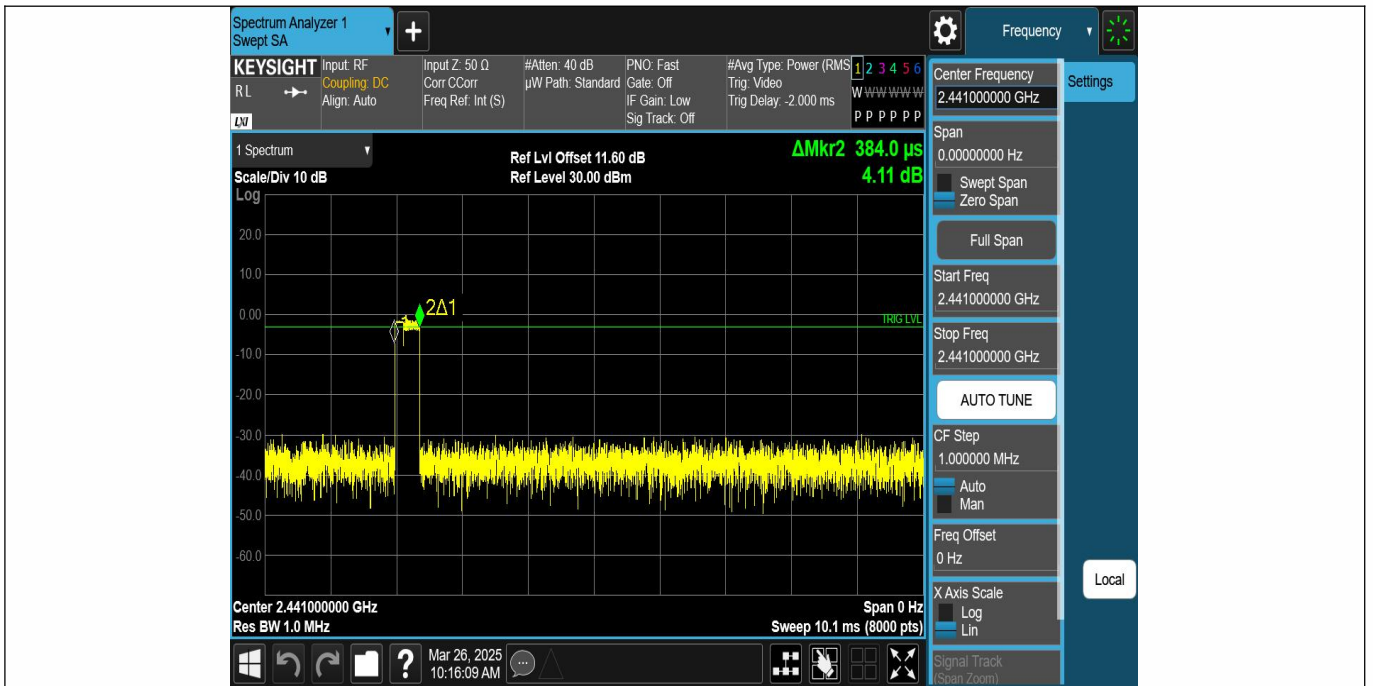
### DH3-Ant1-Hop-PASS



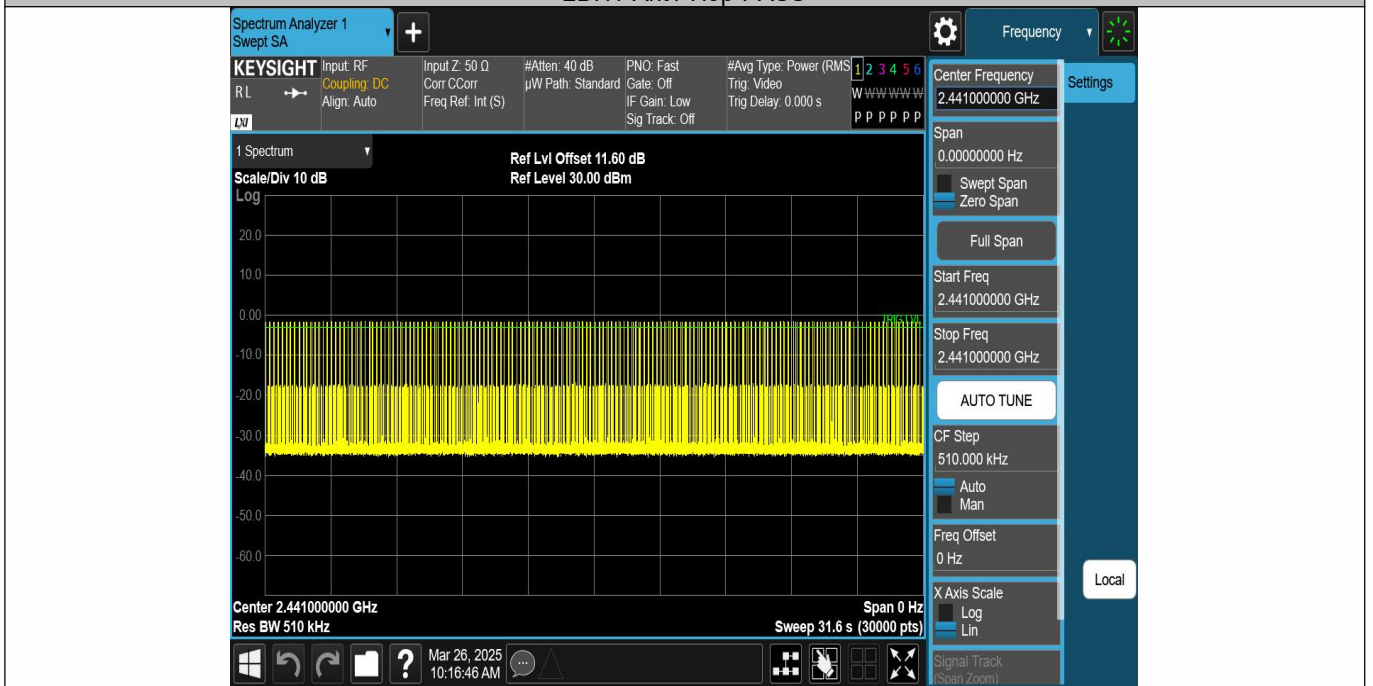


## DH5-Ant1-Hop-PASS





## 2DH1-Ant1-Hop-PASS





### 2DH3-Ant1-Hop-PASS

