

Castel San Pietro Terme, 02 March 2015

Equipment Authorisation Division
 Federal Communications Commission

FCC ID: XM2-EP7P8P
 Product Name: TRU7F8PWE/AC-WS

Class 2 Permissive Change

We submitted to certification (FCC-ID: XM2-EP7P8P) our 2-bands Remote Unit in authorized public safety bands (Public Safety 700 Narrowband Segment + Public Safety 800) for US market.

Now, we enable the Public Safety 700 Broadband Segment, so the first amplifier (1° path) is able to transmit on both 700 Broadband Segment and Narrowband Segment band. The second amplifier (2° path) transmits always on 800 Public Safety band.

The following table compares the old and the new frequency band:

Equipment already certified:

Commercial Name: TRU7P8PWE/AC-WS					
Band	Up-link operating frequency band	Down-link operating frequency band	Down-link Output Power	Down-link Gain (in master unit Tx)	Up-link Gain (out master unit Rx)
700 Public Safety Narrowband	799-805 MHz	769-775 MHz	31dBm	36dB	47dB
800 Public Safety	806-817 MHz	851-862 MHz	31dBm	36dB	47dB

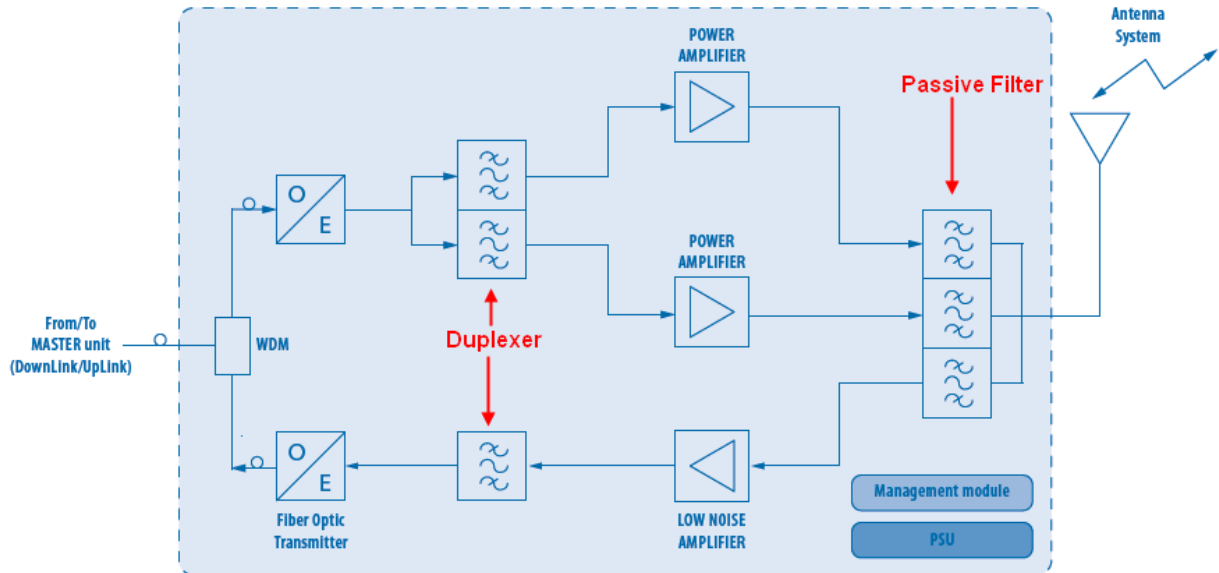
New Equipment:

Commercial Name: TRU7F8PWE/AC-WS					
Band	Up-link operating frequency band	Down-link operating frequency band	Down-link Output Power	Down-link Gain (in master unit Tx)	Up-link Gain (out master unit Rx)
700 Public Safety Broadband + Narrowband	793-805 MHz	763-775 MHz	31dBm	36dB	47dB
800 Public Safety	806-817 MHz	851-862 MHz	31dBm	36dB	47dB



This is possible only by changing the mechanical internal passive filter; hardware (PCB board) and enclosure will be the same.

Please, consider the following block diagram:

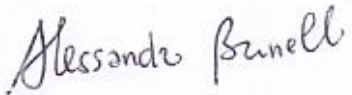


With reference to block diagram above:

- **Duplexer**, on the main board, remains the same (Model DR6J769F856.5B12-11L2.8 A50, see part list documents);
- **Power amplifier** are the same (part list of the main board doesn't change);
- **Passive filter**: in new equipment will be used a new version of passive filter tuned to cover both 700 Broadband Segment and Narrowband Segment band.
- No other change is expected in the hardware and in the software.



Dated 02 March 2015

By:  **ALESSANDRO BRUNELLI**
Signature **Printed**

Title: **CERTIFICATION ENGINEER**

On behalf of : **TEKO TELECOM**

Telephone: **+39 051 6946811**

