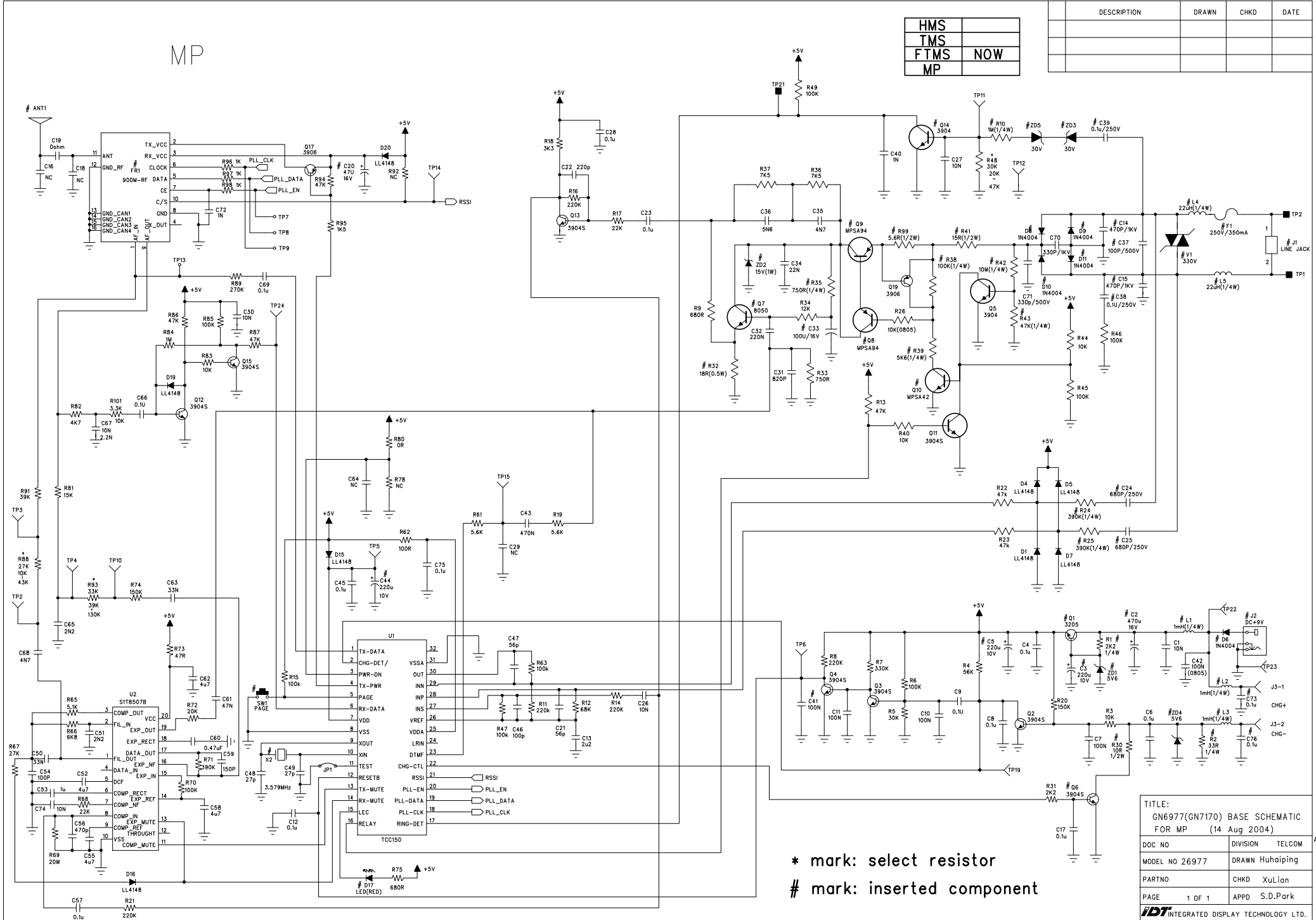


MP

HMS	
TMS	
FTMS	NOW
MP	

DESCRIPTION	DRAWN	CHKD	DATE



\* mark: select resistor  
# mark: inserted component

TITLE:  
GN6977(GN7170) BASE SCHEMATIC  
FOR MP (14 Aug 2004)

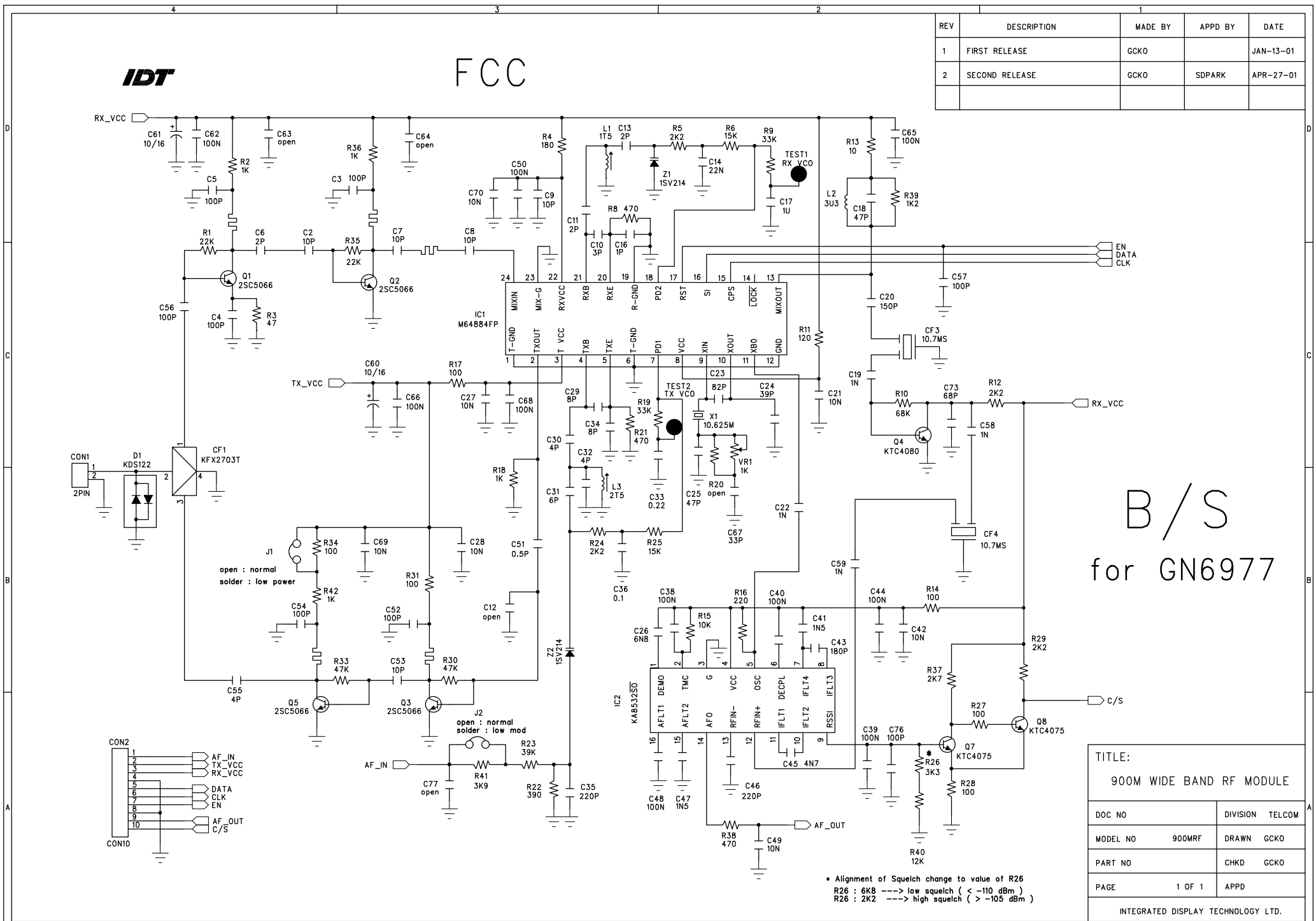
DOC NO	DIVISION	TELCOM
MODEL NO 26977	DRAWN Huhaiqing	
PARTNO	CHKD XuLian	
PAGE 1 OF 1	APPD S.D.Park	

IBT INTEGRATED DISPLAY TECHNOLOGY LTD.

**IDT**

FCC

REV	DESCRIPTION	MADE BY	APPD BY	DATE
1	FIRST RELEASE	GCKO		JAN-13-01
2	SECOND RELEASE	GCKO	SDPARK	APR-27-01



open : normal  
solder : low power

open : normal  
solder : low mod

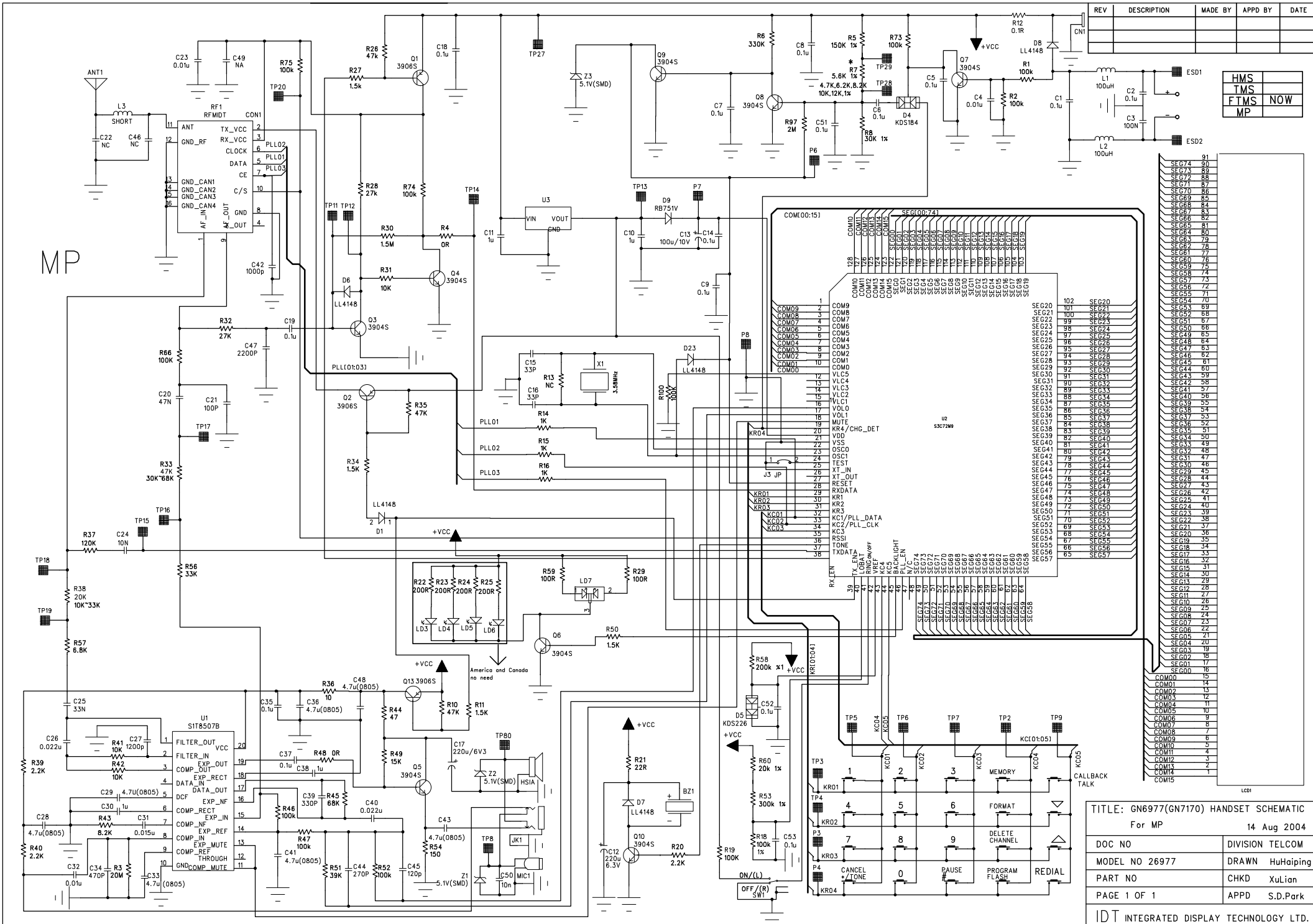
B/S  
for GN6977

TITLE: 900M WIDE BAND RF MODULE		
DOC NO	DIVISION	TELCOM
MODEL NO	900MRF	DRAWN GCKO
PART NO		CHKD GCKO
PAGE	1 OF 1	APPD
INTEGRATED DISPLAY TECHNOLOGY LTD.		

\* Alignment of Squelch change to value of R26  
R26 : 6K8 ----> low squelch (< -10 dBm)  
R26 : 2K2 ----> high squelch (> -105 dBm)

REV	DESCRIPTION	MADE BY	APPD BY	DATE

HMS	
TMS	
FTMS	NOW
MP	



SEG74	91	SEG74	90
SEG75	89	SEG75	88
SEG76	87	SEG76	86
SEG77	85	SEG77	84
SEG78	83	SEG78	82
SEG79	81	SEG79	80
SEG80	79	SEG80	78
SEG81	77	SEG81	76
SEG82	75	SEG82	74
SEG83	73	SEG83	72
SEG84	71	SEG84	70
SEG85	69	SEG85	68
SEG86	67	SEG86	66
SEG87	65	SEG87	64
SEG88	63	SEG88	62
SEG89	61	SEG89	60
SEG90	59	SEG90	58
SEG91	57	SEG91	56
SEG92	55	SEG92	54
SEG93	53	SEG93	52
SEG94	51	SEG94	50
SEG95	49	SEG95	48
SEG96	47	SEG96	46
SEG97	45	SEG97	44
SEG98	43	SEG98	42
SEG99	41	SEG99	40
SEG100	39	SEG100	38
SEG101	37	SEG101	36
SEG102	35	SEG102	34
SEG103	33	SEG103	32
SEG104	31	SEG104	30
SEG105	29	SEG105	28
SEG106	27	SEG106	26
SEG107	25	SEG107	24
SEG108	23	SEG108	22
SEG109	21	SEG109	20
SEG110	19	SEG110	18
SEG111	17	SEG111	16
SEG112	15	SEG112	14
SEG113	13	SEG113	12
SEG114	11	SEG114	10
SEG115	9	SEG115	8
SEG116	7	SEG116	6
SEG117	5	SEG117	4
SEG118	3	SEG118	2
SEG119	1	SEG119	0
COM00	15	COM00	14
COM01	14	COM01	13
COM02	13	COM02	12
COM03	12	COM03	11
COM04	11	COM04	10
COM05	10	COM05	9
COM06	9	COM06	8
COM07	8	COM07	7
COM08	7	COM08	6
COM09	6	COM09	5
COM10	5	COM10	4
COM11	4	COM11	3
COM12	3	COM12	2
COM13	2	COM13	1
COM14	1	COM14	0
COM15	0	COM15	0

TITLE: GN6977(GN1710) HANDSET SCHEMATIC  
For MP 14 Aug 2004

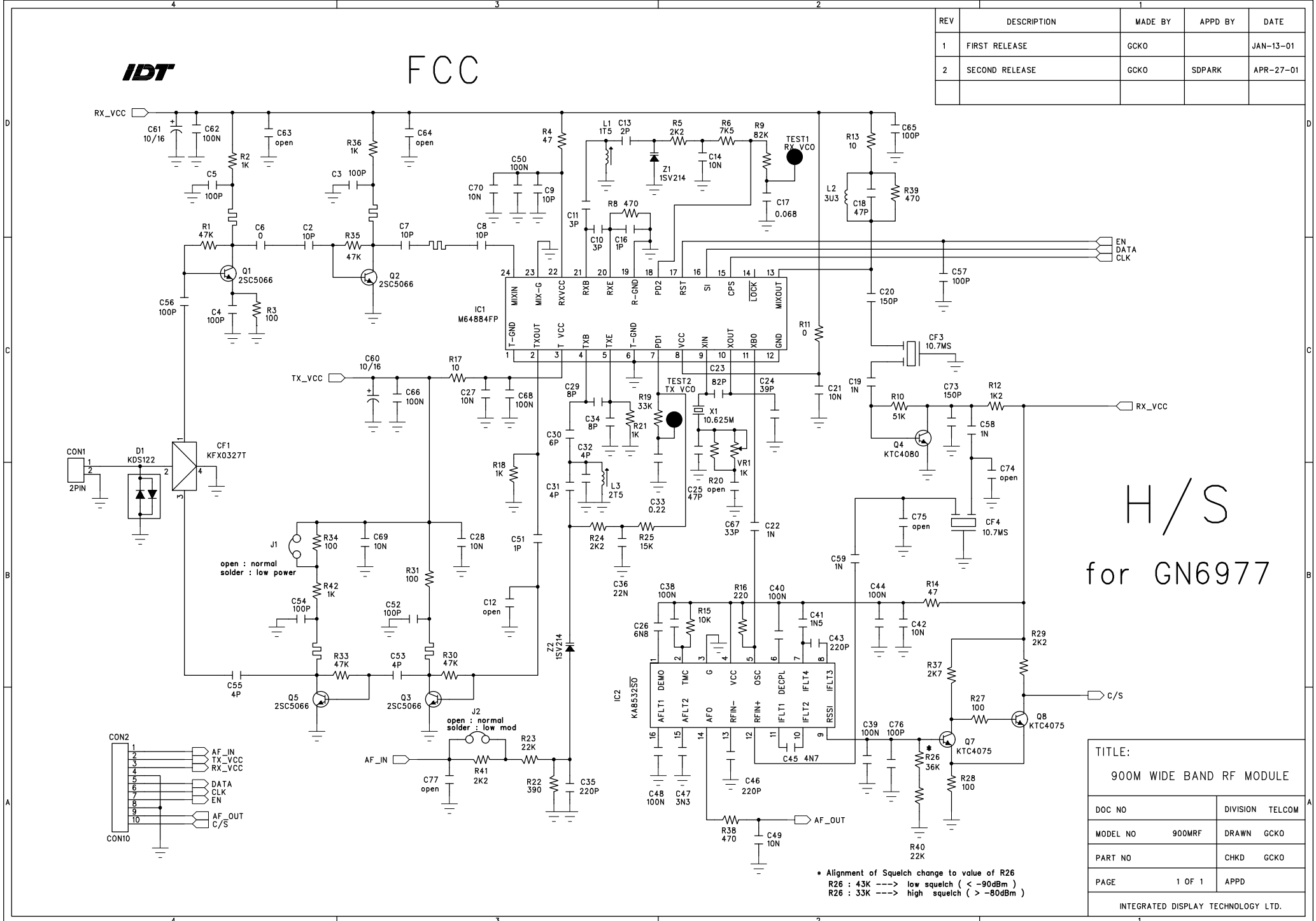
DOC NO	DIVISION TELCOM
MODEL NO 26977	DRAWN HuHaiping
PART NO	CHKD XuLian
PAGE 1 OF 1	APPD S.D.Park

IDT INTEGRATED DISPLAY TECHNOLOGY LTD.

**IDT**

**FCC**

REV	DESCRIPTION	MADE BY	APPD BY	DATE
1	FIRST RELEASE	GCKO		JAN-13-01
2	SECOND RELEASE	GCKO	SDPARK	APR-27-01



H/S  
for GN6977

TITLE: 900M WIDE BAND RF MODULE		
DOC NO	DIVISION	TELCOM
MODEL NO	900MRF	DRAWN GCKO
PART NO		CHKD GCKO
PAGE	1 OF 1	APPD
INTEGRATED DISPLAY TECHNOLOGY LTD.		

\* Alignment of Squelch change to value of R26  
 R26 : 43K ----> low squelch (< -90dBm)  
 R26 : 33K ----> high squelch (> -80dBm)