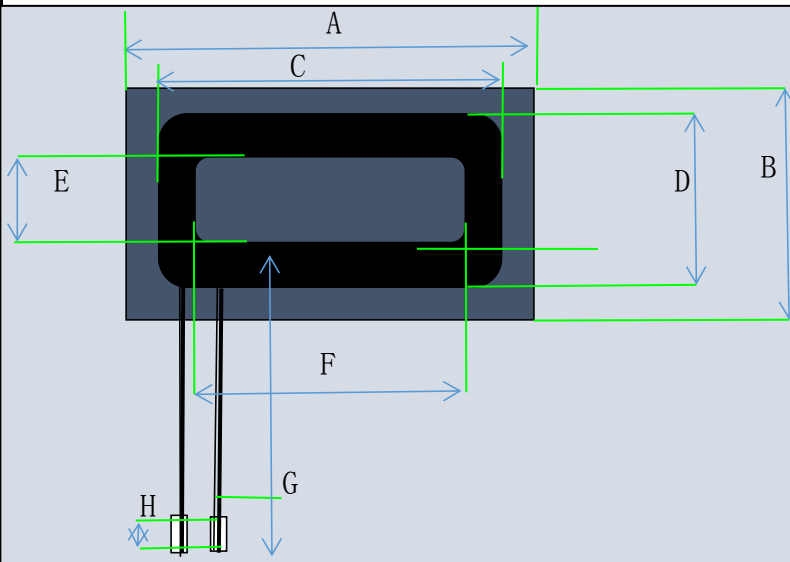


Zhide coil specification sheet

Product model	F2. 2*10. 9-0. 16-22TS-65mm-F7. 5*15. 5*0. 3	Version number	A. 0	customer	You Hong
				Zhide part number	ZD-YH
				Customer Number	8. 7

一. Coil size



A	15. 5±0. 5
B	7. 5±0. 5
C	14. 8±1
D	6. 9±1
E	2. 2±0. 3
F	10. 9±0. 5
G	30±2
H	2±1
I	
J	
K	

1. Cross winding of coils, do not loosen the wires.
2. Non flat coil mounting disk.
3. The disk is F7.5 * 15.5 * 0.3mm single-side adhesive ferrite disk.
4. The total thickness of the coil is 1.0 ± 0.3mm

二. schematic diagram



三. Winding parameters

Number	terminal	Wire diameter	Number of laps	Winding direction
1	S F	0. 16	22TS	Clockwise

四. Electrical parameters

Number	terminal	standard	Test conditions	Testing instruments	Inductance	DCR
1	S~F	100K/1. 0V	coil	LCZ	8. 7±10%uH	0. 635Ω ±20%