

# 承 認 書

## SPECIFICATION FOR APPROVAL

客 戶: Shenzhen Haitao Technology co.,Ltd

CUSTOMER: \_\_\_\_\_

客 戶 料 號: \_\_\_\_\_

CUST P/N: \_\_\_\_\_

音 澤 料 號: \_\_\_\_\_

BESOFTP/N: \_\_\_\_\_

產 品 型 號: Slotted hard magnetic watch coil 14.9-0

DESC: .08\*24-12T-6.5UH-L15MM+BJ (No magnet)

日 期: 2024/09/13

DATE: \_\_\_\_\_

版 本: **A.0**

Version: \_\_\_\_\_

| 擬 制<br>PREPARED BY | 審 核<br>CHECKED BY | 批 准<br>APPROVED BY | 客 戶 承 認<br>CUSTOMER APPROVE |
|--------------------|-------------------|--------------------|-----------------------------|
| 何立成                | 马莉                | 但可清                |                             |

Dongguan Yinze Electronic Technology Co., Ltd.

Factory address: No. 901, Building 2, Xinghan Road (Wealth Creation Central City), Chashan Town, Dongguan City

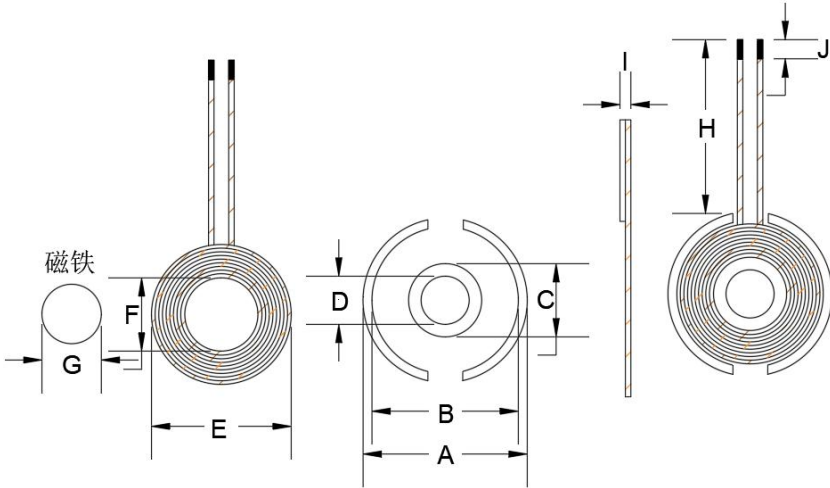
但可清 TEL: 18617251159



# SPECIFICATION

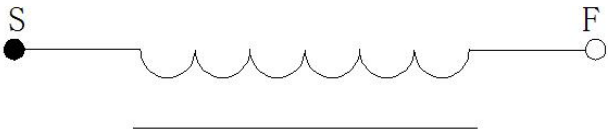
|               |                                                                                        |                |                                              |    |
|---------------|----------------------------------------------------------------------------------------|----------------|----------------------------------------------|----|
| 產品型號:<br>DESC | Slotted hard magnetic<br>watch coil 14.9-0.08*24-<br>12T-6.5UH-L15MM+BJ (No<br>magnet) | 版本<br>Rev: A.0 | 客戶 CUST:<br>音澤料号 Fine P/N:<br>客户料号 CUST P/N: | 海芯 |
|---------------|----------------------------------------------------------------------------------------|----------------|----------------------------------------------|----|

一、尺寸 DIMENSION:(mm)



|   |          |
|---|----------|
| A | 24±0.5   |
| B | 21±0.5   |
| C | 14±0.5   |
| D | 8±0.5    |
| E | 20.8±0.1 |
| F | 14.9±0.5 |
| G | --       |
| H | 15±2     |
| J | 3±2      |
| I | 3.0±0.1  |

二、原理图 SCHEMATIC DIAGR





OPPO Reno6 Pro 5G  
2024.09.10 15:53

# SPECIFICATION

| 序号<br>NO. | 端子<br>TERMINAL | 线径<br>WIRE            | 圈数<br>Turns | 绕线方向<br>Winding Direction |
|-----------|----------------|-----------------------|-------------|---------------------------|
| 1         | S F            | Hot air line 0.08*24P | 12TS        | CCW                       |

三、绕线参数 Winding Specification:

四、电气特性 ELECTRICAL CHARACTERISTICS:

温度 TEMPERATURE:25 ±10°C, 湿度 RELATIVE HUMIDITY:65 ±20%

| 序号<br>NO. | 项目<br>ITEM | 端子<br>TERMINAL | 标准<br>SPECIFICATION         | 测试条件<br>TEST FREQUENCY | 测试仪器<br>TEST EQUIPMENTS |
|-----------|------------|----------------|-----------------------------|------------------------|-------------------------|
| 1         | IND.       | S-F            | 3.9uH ±20%Single coil       | 100KHz/1V              | LCZ METER 1062B         |
| 2         | IND.       | S-F            | 6.5uH ±10%Add magnetic disk | 100KHz/1V              | LCZ METER 1062B         |
| 3         | Q          | S-F            | ≤3.8                        | 100KHz/1V              | LCZ METER 1062B         |
| 4         | DCR        | S-F            | ≤110mΩ                      |                        | LCZ METER 502B          |

5.MATERIAL LIST:

| NO | ITEM    | DESCRIPTION  | RATING | SUPPLIERS                                     | UL NO. | REMARK |
|----|---------|--------------|--------|-----------------------------------------------|--------|--------|
|    | WIRE    | Hot air line | 155°C  | Guangdong Xinju wire Co., LTD                 |        |        |
|    | SOLDE R | 99.3/0.7     |        | Dongguan Feiquan electronic material Co., LTD |        |        |
|    | CORE    | 24*2.8*14    |        | Huizhou Huibo Cheng Electronics Co., LTD      |        |        |
|    | EPOXY   | 1603HFR-HS   |        | Dongguan Wan He new material Co., LTD         |        |        |
|    | TAPE    | PI 260°C     |        | Dongguan die cut charm sound Co., LTD         |        |        |

1. Tested at 1.0Kz0.25Vrms, 0.1Aac

Average current for 40 temperature rise from 25°C

2. Saturaion current(Isat):Inductance drop:10% typ at Isat.

3. Heat rating current(Irms):3L@IrmS=AT≤40°C.

4. Electrical specifications at 25°C

5. Storage Temp:-40°C....+85°C

6. Operating Temp:-40°C....+85°C