



**AM/FM RADIO CASSETTE PLAYER/RECORDER
WITH BLUETOOTH**



**MODEL: MCR-60
USER MANUAL**

**PLEASE READ THIS USER MANUAL COMPLETELY BEFORE OPERATING
THIS UNIT AND RETAIN THIS BOOKLET FOR FUTURE REFERENCE**

COMPLIANCE WITH FCC REGULATIONS

FCC ID: 2AB4KMETYH8150

This device complies with Part 15 of the FCC Rules. Operation is subject to the following two conditions:

- (1) This device may not cause harmful interference, and
- (2) This device must accept any interference received, including interference that may cause undesired operation.

This equipment has been tested and found to comply with the limits for a Class B Digital Device, pursuant to Part 15 of the FCC Rules. These limits are designed to provide reasonable protection against harmful interference in a residential installation. This equipment generates, uses and can radiate radio frequency energy and, if not installed and used in accordance with the instructions, may cause harmful interference to radio communications. However, there is no guarantee that interference will not occur in a particular installation. If this equipment does cause harmful interference to radio or television reception, which can be determined by turning the equipment off and on, the user is encouraged to try to correct the interference by one or more of the following measures:

- Reorient or relocate the receiving antenna.
- Increase the separation between the equipment and receiver.
- Connect the equipment into an outlet on a circuit different from that to which the receiver is connected.
- Consult the dealer or an experienced radio/TV technician for help.

WARNING

Changes or modifications to this unit not expressly approved by the party responsible for compliance could void the user's authority to operate the equipment.

Dear JENSEN Customer

Selecting fine audio equipment such as the unit you've just purchased is only the start of your musical enjoyment. Now it's time to consider how you can maximize the fun and excitement your equipment offers. This manufacturer and the Electronic Industries Association's Consumer Electronics Group want you to get the most out of your equipment by playing it at a safe level. One that lets the sound come through loud and clear without annoying blaring or distortion and, most importantly, without affecting your sensitive hearing. Sound can be deceiving. Over time your hearing "comfort level" adapts to higher volumes of sound. So what sounds "normal" can actually be loud and harmful to your hearing. Guard against this by setting your equipment at a safe level BEFORE your hearing adapts.

To establish a safe level:

- Start your volume control at a low setting.
- Slowly increase the sound until you can hear it comfortably and clearly, and without distortion.
- Once you have established a comfortable sound level: Set the dial and leave it there.

Take a minute to do this now will help to prevent hearing damage or loss in the future. After all, we want you listening for a lifetime.

We Want You Listening for a Lifetime

Used wisely, your new sound equipment will provide a lifetime of fun and enjoyment. Since hearing damage from loud noise is often undetectable until it is too late, this manufacturer and the Electronic Industries Association's Consumer Electronics Group recommend you avoid prolonged exposure to excessive noise.



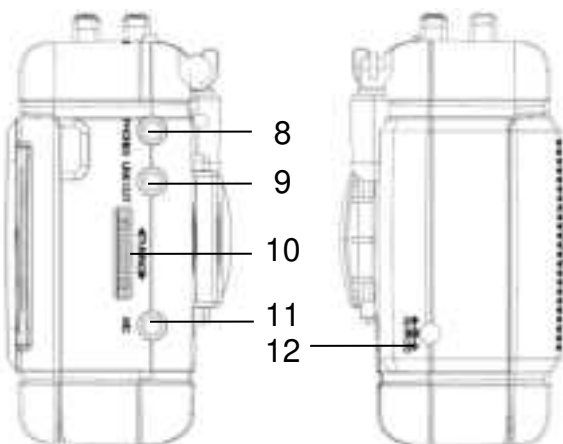
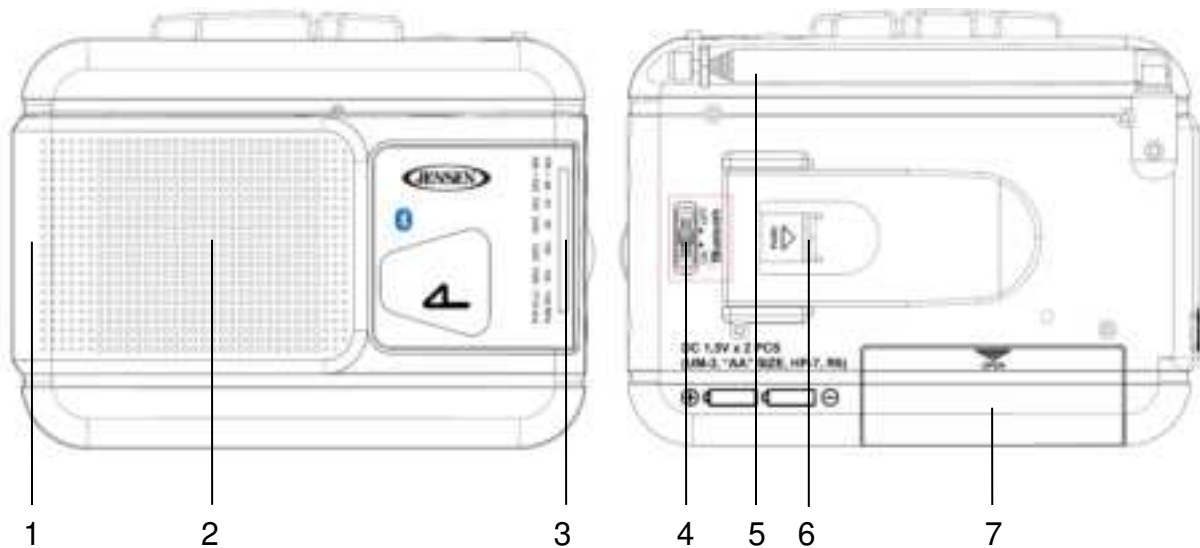
Customer's Record:

The serial number of this product is found on its bottom. You should note the serial number of this unit in the space provided as a permanent record of your purchase to aid in identification in the event of theft or loss.

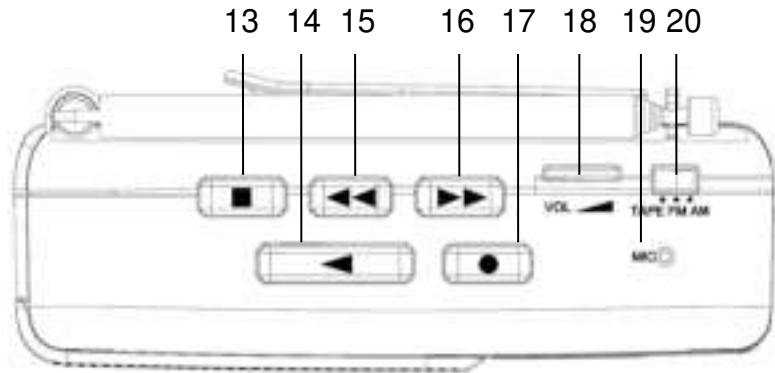
Model Number: MCR-60

Serial Number: _____

LOCATION OF CONTROLS



- 1 CASSETTE DOOR
- 2 BUILT-IN SPEAKER
- 3 DIAL SCALE
- 4 **BLUETOOTH ON/OFF SWITCH**
- 5 TELESCOPIC ANTENNA
- 6 DETACHABLE BELT-CLIP
- 7 BATTERY COMPARTMENT
- 8 STEREO HEADPHONE JACK
- 9 LINE-OUT JACK
- 10 TUNING CONTROL
- 11 MICROPHONE JACK
- 12 **DC IN JACK**



13 STOP ■ BUTTON

14 PLAY ▶ BUTTON

15 FAST FORWARD ▶▶ BUTTON

16 REWIND ◀◀ BUTTON

17 RECORD BUTTON

18 VOLUME CONTROL

19 BUILT-IN MIC

20 FUNCTION SELECTOR
(TAPE/FM/AM)

POWER SOURCE

The MCR-60 operates on two 1.5V DC “AA” size (UM-3) alkaline batteries (Not Included) or an AC-DC adaptor with 5V DC ~ 600mA output (Not Included).

A. BATTERY OPERATION (BATTERIES NOT INCLUDED)

1. Open the battery door located on the back of the unit.
2. Follow the polarity diagram (+ and -) shown on the back of the cabinet, and insert 2 'AA' (UM-3) batteries, and close the battery door.

IMPORTANT: Be sure that the batteries are installed correctly. Wrong polarity could damage the unit and void the warranty.

Notes: 1.) For best performance and longer operating time, we recommend the use of good quality alkaline battery.

- 2.) The batteries need to be replaced when if the volume level becomes significantly lower, if the sound is distorted during operation or the unit no longer functions properly.

⚠ BATTERY WARNING

- Be sure the batteries are installed correctly. Wrong polarity may damage the unit.
- Use only the size and type of batteries specified.
- Do not mix old and new batteries.
- Do not mix alkaline, standard (carbon-zinc) or rechargeable (nickel-cadmium) batteries.
- If the unit is not to be used for an extended period of time, remove the batteries. Old or leaking batteries can cause damage to the unit and may void the warranty.
- Do not try to recharge batteries not intended to be recharged; they can overheat and rupture. (Follow battery manufacturer's directions).
- Do not dispose of batteries in fire, batteries may leak or explode.


B. USB POWER

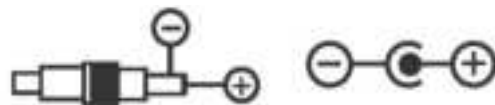
This unit can also be powered using the DC IN jack (#12) and a USB power source (not included) like a cell phone charger, computer USB port or USB power bank. A USB to DC plug cable is also required (included).

- Use a USB power source with a minimum output of DC 5V 500mA.
- Plug one end (DC plug) of the provided cable into the DC IN JACK (#12) and the other end of the cable to the USB charger/power bank/computer (not included).
- The battery source will automatically be disconnected when using the USB port for powering the unit.

C. AC ADAPTOR OPERATION (AC ADAPTOR NOT INCLUDED)

1. Plug the cord of the AC adaptor into the DC IN JACK (#12) of the MCR-60.
2. Plug the AC adaptor into a household 120V/60Hz AC power outlet.
3. The batteries will automatically disconnect when the AC adaptor is plugged into the MCR-60 and the unit will operate using the AC adaptor power.

NOTE: Only use adaptor with an output voltage rated at DC 5V  600mA with a center positive plug.



RADIO OPERATION

2. Plug the included earbuds into the STEREO HEADPHONE JACK (#8) located on the unit, and place the earbuds in your ears.
2. Switch the FUNCTION SELECTOR (#20) to "AM" or "FM" for the desired band.
2. Rotate the TUNING CONTROL (#10) to select the desired radio station.
2. Adjust the VOLUME CONTROL (#18) to obtain the desired sound level.
2. To turn the radio off, switch the FUNCTION SELECTOR (#20) to "TAPE".

TIPS FOR BEST RADIO RECEPTION

1. During FM or FM Stereo reception,
 - a. When you listening with the built-in speaker (#2), always keep the TELESCOPIC ANTENNA (#5) fully extended for best performance. However, if FM reception is weak, try repositioning the unit near an open window until you get the best reception.
 - b. When you listening with the earbuds, the cord of the earbuds works as an external FM antenna. To insure maximum FM tuner reception, always keep the earbuds cord fully extended. Do not wind or fold the earbuds cord while listening to the radio
2. When tuning a station in AM band, be sure to place the unit in a vertical position. For maximum AM tuner reception, keep turning the unit slowly while keeping it vertical until the best reception is obtained.

TAPE OPERATION

PLAYBACK

1. Plug the included earbuds into the STEREO HEADPHONE JACK (#8) located on the unit, and place the earbuds in your ears.
2. Set the FUNCTION SELECTOR (#20) to "TAPE" if required.
3. Open the CASSETTE DOOR (#1) and insert a pre-recorded cassette tape with the exposed tape facing upwards then close the CASSETTE DOOR (#1).
4. Press the PLAY BUTTON (#14) and adjust the VOLUME CONTROL (#18) to obtain the desired sound level.
5. Press the FAST FORWARD BUTTON (#15) when you wish to rapidly advance the tape.
6. Press the STOP BUTTON (#13) to switch off.

RECORDING

You can record audio from various sound sources using the built-in microphone or from the built-in radio.

1. Prepare the source
 - Built-in microphone –
Switch the FUNCTION SELECTOR (#20) to "TAPE"
Place the unit within 2 to 3 feet with the MIC (#19) face the sound source.
Or insert your external condenser MIC to MICROPHONRJACK (#11). Place the external MIC within 2 to 3 feet face the sound source.
 - Built-in Radio Source –
Switch the FUNCTION SELECTOR (#20) to "FM" or "AM". Rotate the TUNING CONTROL to tune to the desired station.
2. Open the CASSETTE DOOR (#1) and load a blank cassette tape.
3. Press RECORD BUTTON (#17). Both PLAY BUTTON (#14) and RECORD BUTTON (#17) is pressed simultaneously and recording starts.
4. During recording you can through headphone or speaker to monitor the recording process.
5. Press the STOP BUTTON (#13) to stop the record function.
6. Listen the record program you can press the REWIND (#16) to rewind the tape and press PLAY BUTTON (#14) to replay the recorded program.
7. To prevent the recorded program "ERASE", you can take out the "RECORDING LIP"



- Notes:
- a. Do not force down RECORD BUTTON (#6) if the tape's erase-protection tabs have been removed, or you will damage the recorder.
 - b. The recorder automatically sets the recording level. The VOLUME CONTROL (#8) does not control the recording volume.

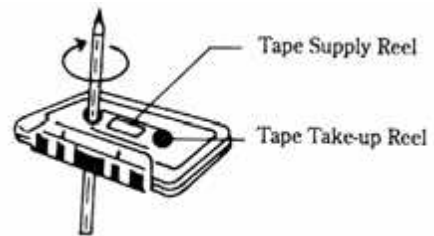
AUTOMATIC STOP

To protect your cassette tapes and prevent unnecessary wear to the pinch roller of the cassette mechanism, this unit is equipped with an Automatic Stop System. When the

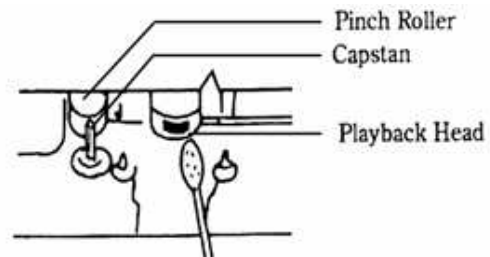
tape ends during play or fast forwarding, the PLAY BUTTON (#14) will automatically release to stop the cassette from running.

CASSETTE TAPE OPERATING TIPS

1. High quality tapes are recommended to obtain maximum quality reproduction from recordings.
2. Tapes with playing time of 120 minutes (C-120) are not recommended because they contain thinner and longer tape that has a greater chance to malfunction and jam, which may damage the cassette mechanism.
3. To obtain good reproduction, the head should be cleaned after every 10 to 20 hours of use. It is also recommended that the cassette be kept away from excessive heat or cold.
4. If there is slack in the tape, remove the slack prior to inserting the cassette. To remove the slack, insert a pencil into the hub and rotate clockwise as shown:



5. A leader tape is provided at the beginning on each cassette. There is no recording on this area, so it is necessary to let the tape run for about five seconds to clear the head.
6. Keep the tape head clean since a dirty head can cause distorted sound or improper tape speed. Depress the PLAY ► BUTTON (#14) and use a small cotton swab with tape head cleaner or alcohol to clean the tape head, capstan and pinch roller as shown:



BLUETOOTH OUT OPERATION

The product supports Bluetooth wireless connection. It can be connected with external Bluetooth compatible headphones (not included) and Bluetooth speakers (not included).

1. Switch the BLUETOOTH ON/OFF SWITCH (#4) to "ON" at the back of the cassette player to enter the Bluetooth transmit mode.
2. When the cassette player is in Bluetooth transmit mode, the blue Bluetooth indicator near the BLUETOOTH ON/OFF SWITCH (#4) will flash. The pairing process could take up to 30 seconds. For best results, stay within 3 ft. of the Bluetooth speaker you are pairing to.
3. When the Bluetooth connection is made, the blue Bluetooth indicator will stop flashing and remain lit.

4. You are now connected to your external Bluetooth device.
5. Begin playing a cassette tape, the sound will be heard from the external Bluetooth device. If you are connected to a Bluetooth device with a play/pause button and do not hear the sound, press the play/pause button.
6. When you are finished listening, press the Stop button to stop the cassette player.
7. Switch BLUETOOTH ON/OFF SWITCH (#4) to “OFF” to turn off Bluetooth transmit mode immediately.

Notes:

- When using Bluetooth, there is no output from the headphone jack.
- You can ONLY adjust the volume using the volume control on your external Bluetooth device.
- When the cassette player stop playing for about 5 minutes, the Bluetooth transmit function will be automatically turn off. The user will need to repeat above connection steps to play in Bluetooth transmit mode again..

USING HEADPHONES (NOT INCLUDED)

Inserting the plug of your headphones into the HEADPHONES JACK (#8) will enable you to listen to the Radio or Cassette music in private. When using headphones, the Built-in Speakers will be disconnected.

CAUTION:

- Avoid excessive volume levels for long period of time when using the earphones. Prolonged use at high levels may impair your hearing.
- Keep the volume at a reasonable level even if your headset is an open-air type designed to allow you to hear outside sounds. Please note that excessively high volume may still block outside sounds

LINE-OUT CONNECTION

The MCR-60 features a 3.5mm stereo LINE-OUT JACK (#9) that allows you to connect it to your home stereo system, or to external amplified speakers using a stereo audio cable (not included).

The audio cable needed (not included) must have a 3.5mm stereo plug on one end for plugging into the MCR-60. The other end of the cord should have a stereo plug or individual left and right channel plugs that match the AUDIO LINE INPUTS on the device you want to connect to.

Once the MCR-60 is connected to the external device, the volume control on the MCR-60 will not adjust the volume. Use the volume control on the external device for adjusting the volume.

CARE AND MAINTENANCE

1. Clean your unit with a damp (never wet) cloth. Solvent or detergent should never be used.
2. Avoid leaving your unit in direct sunlight or in hot, humid or dusty places.
3. Keep your unit away from heating appliances and sources of electrical noise such as fluorescent lamps or motors.

SPECIFICATION

Power Requirement Battery: 2 x "AA"(UM-3) batteries (not included)

AC Adaptor: Input: AC 120V ~ 60Hz

Output: DC 5V  600mA   

AM Frequency: 530 KHz – 1710 KHz

FM Frequency: 88 MHz – 108 MHz

TROUBLE SHOOTING GUIDE

If you experience difficulties in the use of this AM/FM Radio Cassette Player/Recorder with Bluetooth, please check the following or call 1-800-777-5331 for technical support

| SYMPTOM | POSSIBLE | SOLUTION |
|--|---|--|
| No sound | Low or no power | Replace all batteries with new ones. |
| | Volume set at minimum | Increase Volume. |
| Sound appears distorted at high volume setting | Volume control is set to maximum | Adjust Volume control to a lower comfortable level |
| Noise or distorted sound on FM broadcasts | Telescopic antenna is not extended | Fully extend the telescopic antenna for better radio reception |
| Radio - no sound | The unit is not in Radio mode | Slide the function selector to AM or FM mode |
| | The station is weak | Retune the station again |
| Cassette Player - no sound | The unit is not in TAPE mode Volume at minimum | Slide the function selector to TAPE Increase volume |
| Tape Sound distorted | Defective tape or dirty tape head | Replace tape or clean tape head |
| Speed varies | Tape old or worn Dirty roller and capstan | Replace the tape Clean roller and capstan |



At Spectra, environmental and social responsibility is a core value of our business. We are dedicated to continuous implementation of responsible initiatives with an aim to conserve and maintain the environment through responsible recycling.

Please visit us at <http://www.spectraintl.com/green.htm> for more information on Spectra's green initiatives or to find a recycler in your area.

The Bluetooth® word mark and logos are registered trademarks owned by Bluetooth SIG, Inc. and any use of such marks by Spectra Merchandising Intl, Inc. is under license. Other trademarks and trade names are those of their respective owners.

90 DAY LIMITED WARRANTY AND SERVICE VALID IN THE U.S.A. ONLY

EASY BUYS ELECTRONICS INC warrants this unit to be free from defective materials or factory workmanship for a period of 90 days from the date of original customer purchase and provided the product is utilized within the U.S.A. This warranty is not assignable or transferable. Our obligation under this warranty is the repair or replacement of the defective unit or any part thereof, except batteries, when it is returned to the EASY BUYS ELECTRONICS INC Service Department, accompanied by proof of the date of original consumer purchase, such as a duplicate copy of a sales receipt.

You must pay all shipping charges required to ship the product to EASY BUYS ELECTRONICS INC for warranty service. If the product is repaired or replaced under warranty, the return charges will be at EASY BUYS ELECTRONICS INC's expense. There are no other express warranties other than those stated herein.

This warranty is valid only in accordance with the conditions set forth below:

1. The warranty applies to the EASY BUYS ELECTRONICS INC product only while:
 - a. It remains in the possession of the original purchaser and proof of purchase is demonstrated.
 - b. It has not been subjected to accident, misuse, abuse, improper service, usage outside the descriptions and warnings covered within the user manual or non-EASY BUYS ELECTRONICS INC approved modifications.
 - c. Claims are made within the warranty period.
2. This warranty does not cover damage or equipment failure caused by electrical wiring not in compliance with electrical codes or EASY BUYS ELECTRONICS INC user manual specifications, or failure to provide reasonable care and necessary maintenance as outlined in the user manual.
3. Warranty of all EASY BUYS ELECTRONICS INC products applies to residential use only and is void when products are used in a nonresidential environment or installed outside the United States.
4. For repair or replacement information, please contact EASY BUYS ELECTRONICS INC by phone at **1-818-388-0174** or by email at **easybuys123@gmail.com**. In some cases the model you have may be discontinued, and EASY BUYS

ELECTRONICS INC reserves the right to offer alternative options for repair or replacement.

5. For product technical support only, please contact Spectra Merchandising International at:
1-800-777-5331.

Easy Buys Electronics Inc - Returns
4060 E. Jurupa Street, Unit B
Ontario, CA 91761
US

1120

Printed in China