



# IG500BT + RF

Gun-type 2D Barcode Scanner

SCANTECH ID<sup>®</sup>  
CHAMPTEK Group

## Introduction

IG500BT + RF ( with 2.4G RF ) / (with both 2.4G RF and Bluetooth 4.2 ) is a wireless gun-type 2D bar code scanner, has most modern design with rugged casing and supports IP52 sealing protection, which is designed especially for retail, logistic and warehousing management market. We include friendly functions with replaceable multi-interface cable options that makes it more easily to be operated by the customers to accommodate to user environment. An optional stand can be ordered to facilitate hand-free reading application.

With its unmatched performance for the majority of 1D and 2D bar codes, OCR-B character reading to increase your productivity.

IG500RF/BT's out of range or batch transmission mode with memory capacity stores up to 80,000 inputs of EAN13 barcodes. Its 2.4G RF wireless transmission, automatic frequency hopping and anti-interference, the effective transmission distance can reach 100 meters, while Bluetooth 4.2 connection reach 50 meters in open space.

IG500RF/IG500BT is a high performance barcode scanner which provides customers with the most cost-effective solution in the market. It is perfectly suitable and definitely the best choice for any retail, logistic and warehousing environment.

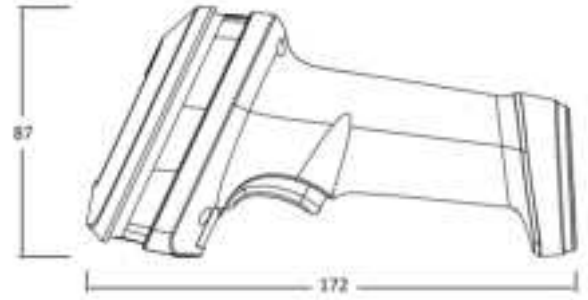
## Features

- Support most 1D, 2D and GS1 Databar codes, and OCR-B character reading.
- Good performance on both display and printed label reading.
- Designed as IP52 sealing protection.
- 2.4G RF wireless transmission, automatic frequency hopping and anti-interference, the effective transmission distance in open space can reach 100 meters. With Bluetooth 4.2 connection reach 50m in open space.
- A stand option can be ordered to facilitate hand-free reading options.
- Vibration when scanning.
- The rear end is designed with a storage compartment for RF/BT receiver dongle , which can effectively prevent loss.



# IG500BT+RF

Barcode	Depth of field
3mil Code39	70~150 mm
4mil Code39	60~160 mm
5mil Code39	50~240 mm
13mil UPC-A	40~450 mm
5mil PDF417	65~210mm
5mil QR Code	75~140 mm
10mil QR Code	45~290 mm
10mil Data Matrix	30~260 mm
20mil QR Code	20~480 mm



**Mechanical Drawing**  
Unit: mm

The test is under ambient light 500 ~ 600 Lux.

## Specifications

### Physical Characteristics

Body Weight	Approx. 195g/6.88oz
Material	ABS
Dimension	172 x 67 x 87mm
Color Available	Black

### Performance

Light Source	White light illumination, Green aimer
Sensor	1280 (H) x 800 (V) pixels
Field of view	Horizontal – 45°, Vertical – 36°
Scan Rate	60 fps
Reading Distance	450mm@20mil/0.5mm, PCS90%, QRCode
Print Contrast Ratio(Minimum)	PCS20%
Resolution	1D: 3mil/0.076mm 2D: 6.67mil/0.2mm
Reading Angle	
Pitch Angle	±5°~60° (±5°)
Skew Tolerance	±5°~60° (±5°)
Ambient Light	100,000 Lux Max.
Sealing	IP52 water and dust protection

### Reliability

MTBF(Calculated)	50,000 hours minimum
Cable Bending Test	30 times/min@500g/90°
Drop	47.24 inches(120cm)

### Environmental

Voltage Battery	Li-Ion 3.7V/2000mA
Recharge time	Approx. 5 hours
Reads per charge	80,000 times in continuous read

#### Power Consumption

Stand by	<130mA
Operation	<280mA
LED Indicator	Good read: Beep and Blue LED flash RF/BT Connection: Blue on Charge : Purple

### Radio Characteristics

Wireless Module	2.4G RF and Bluetooth 4.2
Frequency Band	2.402GHz~2.480GHz
Transmission Range	Up to 100m line of sight for 2.4G RF, 50m for Bluetooth 4.2

### Readable Symbolologies

#### 1D Symbolologies

UPC-A, UPC-E, EAN-8/JAN-8, EAN-13/JAN-13, ISSN, UCC/EAN-128, Code 39, Code 39 Full ASCII, Code 128, Interleaved 25, Industrial 25, Matrix 25, Codabar/NW7, Code 93, Code11, China Post, MSI, Telepen, GS1 Databar Omni-directional, GS1 Databar Limited, GS1 Databar Expanded

#### 2D Symbolologies

Aztec, Data Matrix, MaxiCode, QRCode, PDF417, Micro PDF, HANXIN, MicroQR Code, Dotcode, GridMatrix

#### OCR-B character

Due to Champtek/Scantech ID's continuing product improvement programs, specifications and features are subject to change.

# IG500BT+RF

## FCC Statement

Changes or modifications not expressly approved by the party responsible for compliance could void the user's authority to operate the equipment.

This equipment has been tested and found to comply with the limits for a Class B digital device, pursuant to Part 15 of the FCC Rules. These limits are designed to provide reasonable protection against harmful interference in a residential installation.

This equipment generates uses and can radiate radio frequency energy and, if not installed and used in accordance with the instructions, may cause harmful interference to radio communications. However, there is no guarantee that interference will not occur in a particular installation. If this equipment does cause harmful interference to radio or television reception, which can be determined by turning the equipment off and on, the user is encouraged to try to correct the interference by one or more of the following measures:

- Reorient or relocate the receiving antenna.
- Increase the separation between the equipment and receiver.
- Connect the equipment into an outlet on a circuit different from that to which the receiver is connected.
- Consult the dealer or an experienced radio/TV technician for help

This device complies with part 15 of the FCC rules. Operation is subject to the following two conditions (1) this device may not cause harmful interference, and (2) this device must accept any interference received, including interference that may cause undesired operation.

Due to Champtek/Scantech ID's continuing product improvement programs, specifications and features are subject to change.

**SCANTECH ID**  
CHAMPTEK Group

### SCANTECH-ID BV

Hellumweg 34a 3812 RE Amersfoort, The Netherlands  
TEL: +31 (0) 33 4698400 FAX: +31 (0) 33 4650615  
[www.scantech-id.com](http://www.scantech-id.com)

### CHAMPTEK INC.

1/F, No.4, Alley 2, Shih-Wei Lane, Chung-Cheng Rd., Xindian Dist., New Taipei City 331, Taiwan  
TEL: +886-2-2219-2385 FAX: +886-2-2219-2387  
[www.champtek.com](http://www.champtek.com)