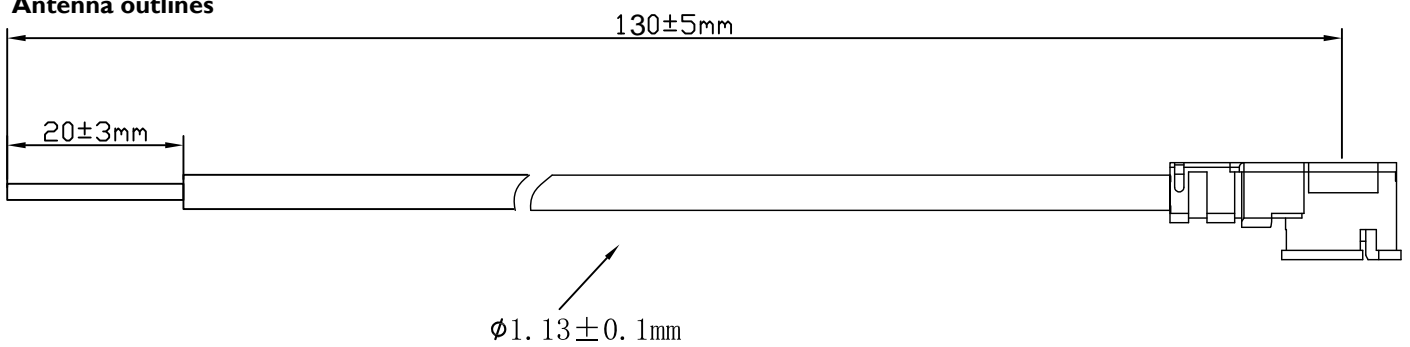


PART NUMBER	34010027
Centre Frequency	2.45 GHz
Bandwidth	85 MHz (Typ.)
Polarization	Linear
Azimuth Beamwidth	Omni-directional
Peak Gain	0 dBi (Typ.) 50 Ω
Impedance	
Operating Temperature	- 40~105 °C
Maximum Power	1 W
Termination	Ni / Sn (Environmentally-Friendly Leadless)
Resistance to Soldering Heats	260°C , 10sec.

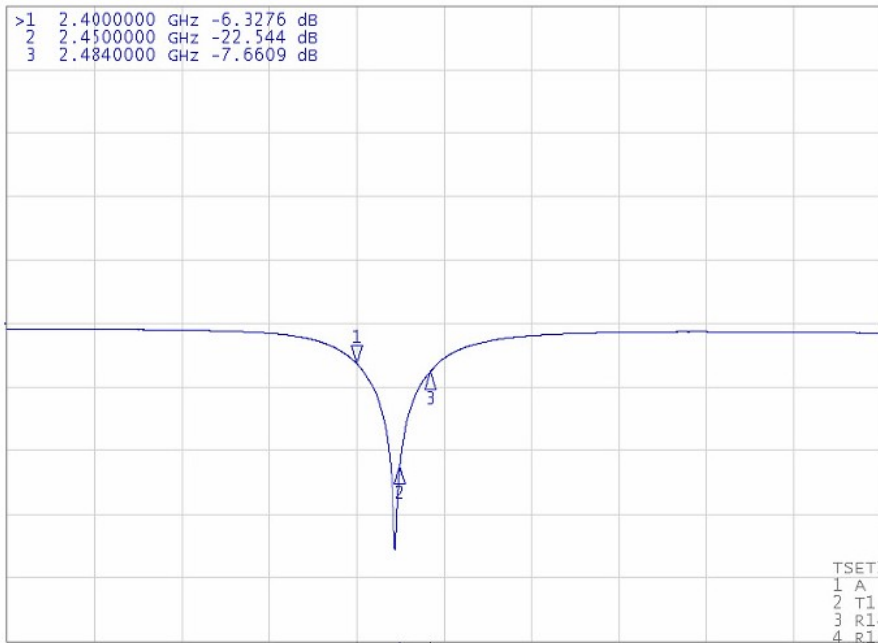
**Antenna outlines**



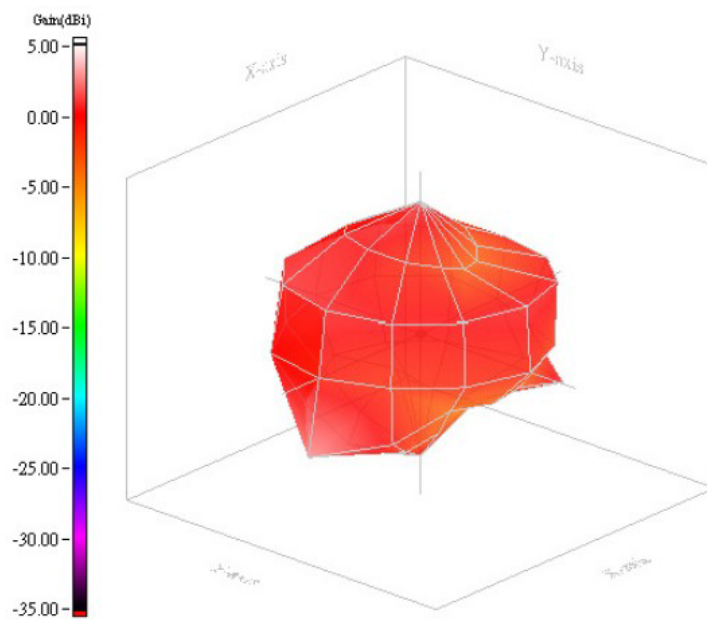
**Return loss**

Tp1 S11 Log Mag 10.00dB/ Ref 0.000dB [F2 De1]

>1	2.4000000	GHz	-6.3276	dB
2	2.4500000	GHz	-22.544	dB
3	2.4840000	GHz	-7.6609	dB



Radiation pattern



Frequency= 2.45 GHz  
Max gain = 0dBi, at (120,0)  
MEG (mean effective gain)= -0.69 dBi  
Directivity (dB) = 3.88  
Efficiency = -1.16dB, 76.56 %