

DWG. NO. VR3464

REVISION BLOCK					
REV	SHW / TOL	DESCRIPTION	P.C.N.	BY	DATE

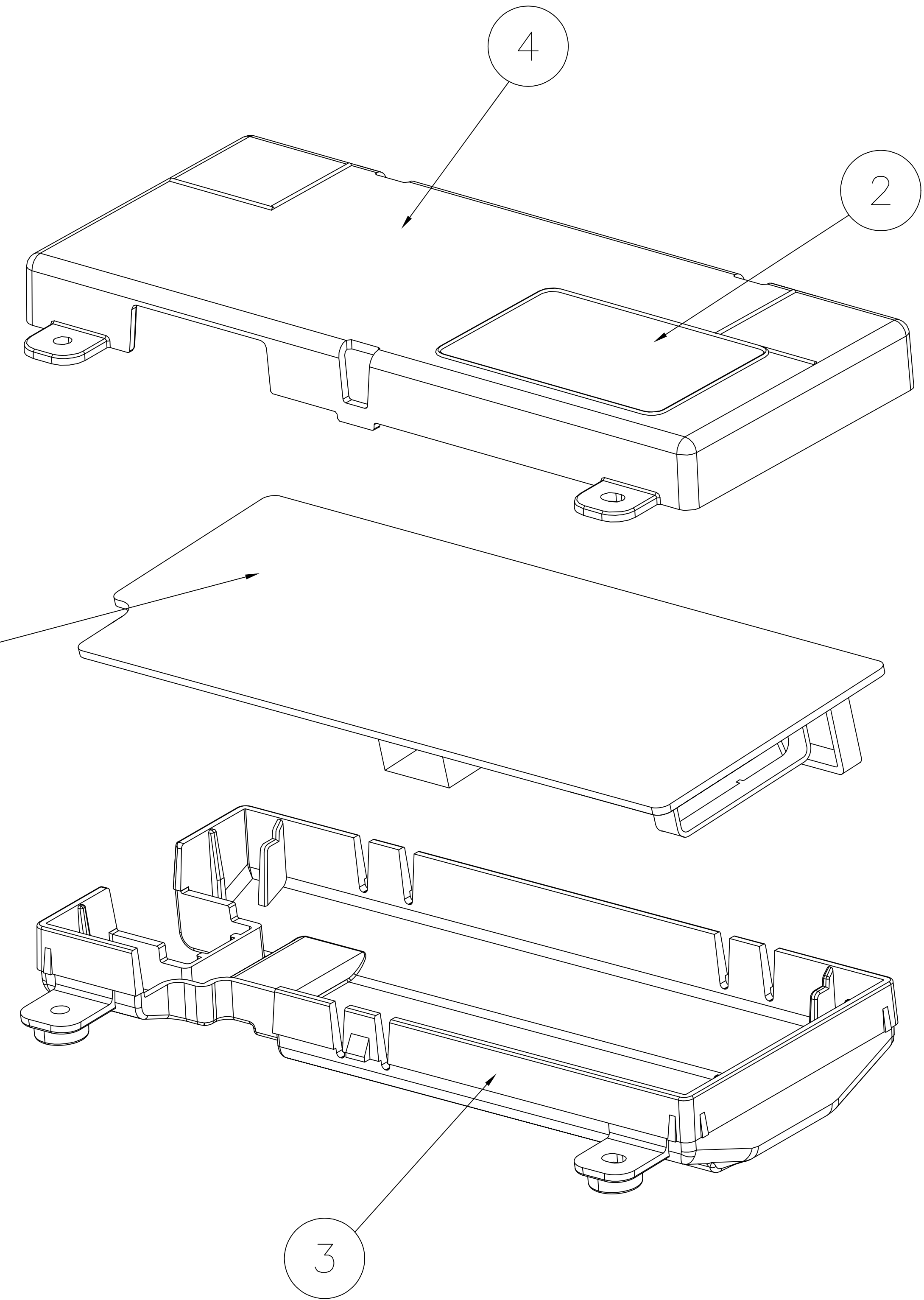
BARCODE AREA

PATENT GROUP: **AC** HomeLink®

ADDITIONAL PATENTS PENDING
 CHRYSLER SERVICE PART # 05096156AA

FCC ID: CB2CSHL3
 IC: 279B-CSHL3

JCI™ MODEL: CSHL3 75813



POPULATED PCB

JOHNSON CONTROLS AUTOMOTIVE SYSTEMS GROUP INTERIORS			
NAME PCB ASSEMBLY			
PROJECT	04 CS COMP/HMLK III	DRWN. BY	DATE
CUSTOMER	CHRYSLER	ENGR. APPR	DATE
SCALE	NONE	SHEET 4 OF 4	
SIZE	D	DWG. NO.	VR3464
DATA FORMAT	ACAD	REV.	A

ELECTRONICS STD. UNLESS OTHERWISE SPECIFIED	
DO NOT SCALE	
X.X DECIMAL ± 0.040 [± 1.0]	ANGULAR ± 2° 0'
X.XX DECIMAL ± 0.020 [± .50]	DRAFT ANGLES NOTED
X.XXX DECIMAL ± 0.006 [± .15]	
DIMENSIONS ARE IN INCHES WITH EQUIVALENT MILLIMETERS SHOWN IN BRACKETS.	

15
16

14

4

2

3

8 7 6 5 4 3 2 1

F
E
D
C
B
A

4 X R.025[.64]
APPROX.

BARCODE AREA

U.S. PATENTS:

5442340 5479155 5583485 5614891 5661804
5686903 5699054 5708415 5854593 5903226
4546551 4953305 5664335 4851775 5239264
5878370 4425717 5661651 6301794

GB PATENTS:

2277620 2305281 2305282 2315893 2322215
2300945 2302751 2301899

JAPAN PATENTS:

2689078

EPO PATENTS:

0120691

FCC ID: CB2CSHL3
IC: 279B-CSHL3
JCITM MODEL: CSHL3

ADDITIONAL PATENTS PENDING
CHRYSLER SERVICE PART #
05096156AA



75813

DWG. NO.
000000

1.250 [31.75]

2.000 [50.80]

REVISION BLOCK

REV	SH/ ZONE	DESCRIPTION	P.C.N.	BY	DATE	BY

THIRD ANGLE PROJECTION

DO NOT SCALE

UNLESS OTHERWISE SPECIFIED

.X DECIMAL ± .040 [1.0] ANGULAR ± 2° 0'
.XX DECIMAL ± .020 [.50] DRAFT ANGLES NOTED
.XXX DECIMAL ± .006 [.150]



SPECIFIES FEATURES REQUIRING SPECIAL CONSIDERATIONS,
SEE PRODUCT CONTROL PLAN.
DIMENSIONS ARE INCHES WITH EQUIVALENT MILLIMETERS SHOWN IN BRACKETS.

JOHNSON
CONTROLS
AUTOMOTIVE SYSTEMS GROUP INTERIORS

NAME
04 CS COMP/HMLKIII

PROJECT CORPORATE	DRWN. BY	DATE
	CHKD. BY	DATE
CUSTOMER GENERAL	ENGR. APPR	DATE
	SCALE 4/1	SHEET 1 OF 1

REV. B	TOOL NO. REF	DWG. NO. 000000	REV. 0
DATA FORMAT ACAD			