

# FCC PART 15 SUBPART C

Power Bank

MODEL No.: AX1013

FCC ID: 2AYMT-AX1013

REPORT NO.:NCT24051493E1-1

ISSUE DATE: Dec. 27, 2024

*Prepared for*

Shenzhen Jiahongjing Technology Co., Ltd

2307 Block A, Zhantao Technology Build., Crossing of Minzhi Rd and Gongye East Rd, Xinniu Comty, Minzhi Str., Longhua Dist., Shenzhen, China.518110

*Prepared by*

Shenzhen NCT Testing Technology Co., Ltd.

A101&2F B2, Fuqiao 6th Area, Xintian Community, Fuhai Street, Baoan District, Shenzhen, People's Republic of China

TEL: 400-8868-419

FAX: 86-755-27790922

**TABLE OF CONTENT**

<b>Test Report Description</b>	<b>Page</b>
<b>1. SUMMARY OF TEST RESULTS .....</b>	<b>5</b>
<b>2. GENERAL INFORMATION .....</b>	<b>6</b>
2.1. Description of Device (EUT) .....	6
2.2. Description of Support Units .....	6
2.3. Independent Operation Modes .....	7
2.4. Test Mode .....	7
2.5. Description of Test Facility .....	7
2.6. Measurement Uncertainty .....	8
<b>3. MEASURING DEVICE AND TEST EQUIPMENT .....</b>	<b>9</b>
<b>4. 20DB BANDWIDTH .....</b>	<b>11</b>
4.1. Test Procedure .....	11
4.2. Test Setup .....	11
4.3. Test Results .....	11
<b>5. POWER LINE CONDUCTED EMISSION MEASUREMENT .....</b>	<b>12</b>
5.1. Block Diagram of Test Setup .....	12
5.2. Limits .....	12
5.3. Test Procedure .....	12
5.4. Measuring Results .....	13
<b>6. RADIATED EMISSION TEST .....</b>	<b>16</b>
6.1. Measurement Procedure .....	16
6.2. Test SET-UP (Block Diagram of Configuration) .....	16
6.3. Radiated Emission Limit .....	17
6.4. Measurement Result .....	19
<b>7. TEST PHOTOGRAPHS AND EUT PHOTOGRAPHS .....</b>	<b>22</b>

## TEST REPORT DESCRIPTION

Applicant : Shenzhen Jiahongjing Technology Co., Ltd

Address : 2307 Block A, Zhantao Technology Build., Crossing of Minzhi Rd and Gongye East Rd, Xinniu Comty, Minzhi Str., Longhua Dist., Shenzhen, China.518110

Manufacturer : Dongguan Jianshun Technology Co., LTD

Address : 2nd Floor, Building 3, No, 6 Jinhe Road, Jinhe Community, Zhangmutou Town, Dongguan City

EUT : Power Bank

Model Name : AX1013

Trademark : N/A

Measurement Procedure Used:

APPLICABLE STANDARDS	
STANDARD	TEST RESULT
FCC 47 CFR Part 15, Subpart C	PASS

The above equipment was tested by Shenzhen NCT Testing Technology Co., Ltd. The test data, data evaluation, test procedures, and equipment configurations shown in this report were made in accordance with the procedures given in ANSI C63.10 (2013) and the energy emitted by the sample EUT tested as described in this report is in compliance with conducted and radiated emission limits of FCC Rules Part 15C

The test results of this report relate only to the tested sample identified in this report.

Test Engineer:



Keven Wu / Engineer

Technical Manager:



Henry Wang



## Modified Information

Version	Report No.	Revision Data	Summary
Ver.1.0	NCT24051493E1-1	Dec. 27, 2024	Original Version

## 1. SUMMARY OF TEST RESULTS

Test Item	Section in CFR 47	Result
Antenna requirement	15.203	Pass
AC Power Line Conducted Emission	15.207	Pass
Spurious Emission	15.209(a)(f)	Pass
20dB Bandwidth	15.215	Pass


## 2. GENERAL INFORMATION

### 2.1. Description of Device (EUT)

EUT	:	Power Bank
Model Number	:	AX1013
Model different	:	N/A
Power Rating	:	Battery Capacity: 3.85V 10000mAh Power Rating: 38.5Wh Input(Type-C): 5V/3A 9V/2A 12V/1.5A (18W Max) Input(Type-C Cable): 5V/3A 9V/2A 12V/1.5A(18W Max) Output (Type-C): 5V/3A 9V/2.22A 12V/1.67A 10V/2.25A(22.5W Max) Output(Type-C Cable): 5V/3A 9V/2.22A 12V/1.67A 10V/2.25A(22.5W Max) Wireless Output: 5W/7.5W/15W(Max)
Operation Frequency for WPT	:	111-205 KHz
Modulation	:	MSK
Antenna Type:	:	Coil Antenna
Date of Received	:	Dec. 20, 2024
Date of Test	:	Dec. 20, 2024 to Dec. 27, 2024

### 2.2. Description of Support Units

The EUT has been tested as an independent unit together with other necessary accessories or support units. The following support units or accessories were used to form a representative test configuration during the tests.

Item	Equipment	Mfr/Brand	Model/Type No.	Series No.	Note
E-1	Power Bank	N/A	AX1013	N/A	EUT
E-2	Phone		Xiaomi 13	N/A	Auxiliary
E-3	Adapter	OMIX	X2903	N/A	Auxiliary

Note: (1)The support equipment was authorized by Declaration of Confirmation.  
(2)For detachable type I/O cable should be specified the length in cm in 『Length』 column.

### 2.3. Independent Operation Modes

Mode	Description	Remark(AE battery level)
1.	EUT + Phone(15W)	5%
2.		50%
3.		95%
4.	EUT + Phone(7.5W)	5%
5.		50%
6.		95%
7.	EUT + Phone(5W)	5%
8.		50%
9.		95%
10.	Adapter+EUT(Charging)	

Remark:1. All the modes have tested and recorded the worst mode (mode 1-5% electricity) in the report  
 2.When the adapter charges the EUT, the EUT does not work and it cannot charge the phone through the coil

### 2.4. Test Mode

Test Items	Test Voltage	Operation Modes
RE	DC 3.85V	Mode 1
CE	AC 120V/60Hz	Mode 10

### 2.5. Description of Test Facility

Site Description

EMC Lab. : Accredited by CNAS, 2022-09-27  
 The certificate is valid until 2028.01.07  
 The Laboratory has been assessed and proved to be in compliance with  
 CNAS-CL01:2006 (identical to ISO/IEC 17025:2017)  
 The Certificate Registration Number is L8251

Designation Number: CN1347  
 Test Firm Registration Number: 894804  
 Accredited by A2LA, June 14, 2023  
 The Certificate Registration Number is 6837.01

Accredited by Industry Canada, November 09, 2018  
 The Conformity Assessment Body Identifier is CN0150  
 Company Number: 30806

Name of Firm : Shenzhen NCT Testing Technology Co., Ltd.  
 Site Location : A101&2F B2, Fuqiao 6th Area, Xintian Community, Fuhai Street, Baoan District, Shenzhen, People's Republic of China

## 2.6. Measurement Uncertainty

Parameter	Uncertainty
RF output power, conducted	±1.0dB
Power Spectral Density, conducted	±2.2dB
Radio Frequency	± 1 x 10 <sup>-6</sup>
Bandwidth	± 1.5 x 10 <sup>-6</sup>
Time	±2%
Duty Cycle	±2%
Temperature	±1°C
Humidity	±5%
DC and low frequency voltages	±3%
Conducted Emissions (150kHz~30MHz)	±3.64dB
Radiated Emission(9kHz~30MHz)	±4.51dB
Radiated Emission(30MHz~1GHz)	±5.03dB
Radiated Emission(1GHz~25GHz)	±4.74dB



### 3. MEASURING DEVICE AND TEST EQUIPMENT

Radiated emission & Radio Frequency Test Equipment

Name	Model No.	Serial No.	Manufacturer	Date of Cal.	Due Date
966 Shielded Room	966 Room	/	EMToni	2022/5/31	2025/5/30
EMI Test Receiver	ESCI	101178	Rohde & Schwarz	2024/6/17	2025/6/16
Spectrum Analyze (10Hz-26.5GHz)	N9020A	MY50510202	Agilent	2024/6/17	2025/6/16
Amplifi (30MHz-1GHz)	BBV 9743 B	00374	SCHNARZBECK	2024/6/17	2025/6/16
Bilog Antenna (30MHz-1GHz)	VULB9162	00473	SCHNARZBECK	2023/3/19	2025/3/18
Horn antenna (1GHz-18GHz)	BBHA 9120 D	02622	SCHNARZBECK	2023/3/19	2025/3/18
Pream plifier (1GHz-18GHz)	BBV 9718D	0024	SCHNARZBECK	2024/6/17	2025/6/16
Spectrum Analyze (10Hz-40GHz)	FSV 40	100952	Rohde & Schwarz	2024/6/17	2025/6/16
Pream plifier (18GHz-40GHz)	BBV 9721	0056	SCHNARZBECK	2024/6/17	2025/6/16
Double Ridge Guide Horn Antenna (18GHz-40GHz)	SAS-574	588	A.H.System	2023/3/19	2025/3/18
Loop Antenna (9KHz-30MHz)	FMZB1519B	014	SCHNARZBECK	2024/6/17	2025/6/16
Amplifier (9KHz-30MHz)	CVP 9222 C	00109	SCHNARZBECK	2024/6/17	2025/6/16
MXG Signal Analyzer	N9020A	MY50510202	Agilent	2024/6/17	2025/6/16
MXG Vector Signal Generator	N5182A	MY50140020	Agilent	2024/6/17	2025/6/16
MXG Analog Signal Generator	N5181A	MY47420919	Agilent	2024/6/17	2025/6/16
Power Sensor	TR1029-2	512364	Techoy	2024/6/17	2025/6/16
RF Swith	TR1029-1	512364	Techoy	2024/6/17	2025/6/16
Cable	DA800- 4000MM	NA	DA	2024/6/17	2025/6/16
Cable	DA800- 11000MM	NA	DA	2024/6/17	2025/6/16

## Conducted emission Test Equipment

Name	Model No.	Serial No.	Manufacturer	Date of Cal.	Due Date
944 Shielded Room	944 Room	/	EMToni	2022/5/31	2025/5/30
EMI Test Receiver	ESPI	101604	Rohde & Schwarz	2024/6/17	2025/6/16
LISN	ENV 216	102796	Rohde & Schwarz	2024/6/17	2025/6/16
LISN	VN1-13S	004023	CRANAGE	2024/6/17	2025/6/16
Cable	RG223-1500MM	NA	RG	2024/6/17	2025/6/16

## Other

Item	Name	Manufacturer	Model	Software version
1	EMC Conduction Test System	FALA	EZ-EMC	Ver.EMC-CON 3A1.1+
2	EMC radiation test system	FALA	EZ-EMC	Ver.FA-03A2 RE+
3	RF test system	TACHOY	RF Test	V1.0.0
4	RF communication test system	TACHOY	RF Test	V1.0.0

## 4. 20DB BANDWIDTH

### 4.1. Test Procedure

Set to the maximum power setting and enable the EUT transmit continuously  
 Set RBW = 1-5%OBW.  
 Set the video bandwidth (VBW) =3RBW.  
 Set Span= 500Hz  
 Set Detector = Peak.  
 Set Trace mode = Max hold.  
 Set Sweep = auto couple.  
 Measure and record the results in the test report.

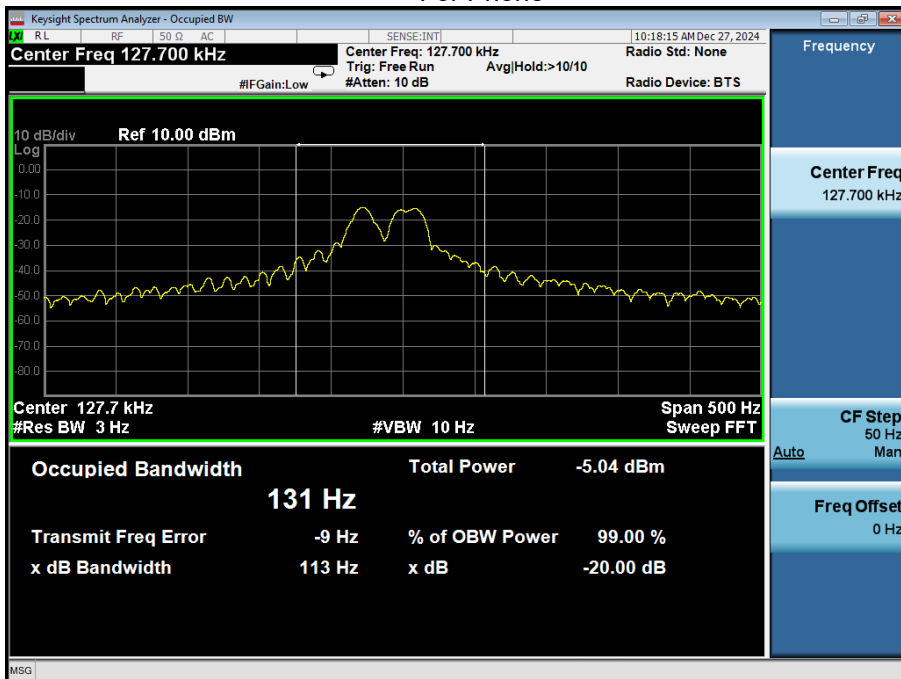
### 4.2. Test Setup



### 4.3. Test Results

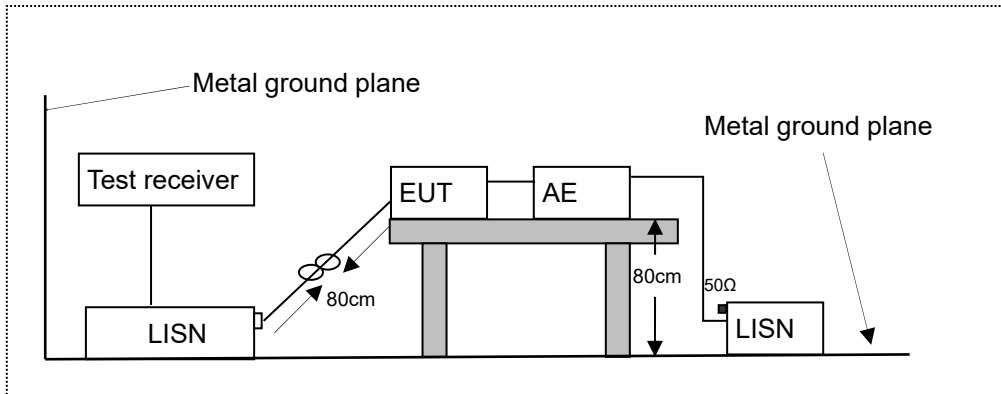
	Frequency (KHz)	20dB bandwidth (Hz)	99% bandwidth (Hz)	Result
For Phone	127.7	113	131	Pass

For Phone



## 5. POWER LINE CONDUCTED EMISSION MEASUREMENT

### 5.1. Block Diagram of Test Setup



LISN: Line Impedance Stabilization Network  
 AE: Associated equipment  
 EUT: Equipment under test

### 5.2. Limits

FCC Part 15.207

Frequency (MHz)	Limit (dB $\mu$ V)	
	Quasi-peak Level	Average Level
0.15 ~ 0.50	66.0 ~ 56.0 *	56.0 ~ 46.0 *
0.50 ~ 5.00	56.0	46.0
5.00 ~ 30.00	60.0	50.0

NOTE1-The lower limit shall apply at the transition frequencies.  
 NOTE2-The limit decreases linearly with the logarithm of the frequency in the range 0.15MHz to 0.50MHz.

### 5.3. Test Procedure

The EUT was placed on a desk 0.8 m height from the metal ground plane and 0.4 m from the conducting wall of the shielding room and it was kept at least 0.8 m from any other grounded conducting surface. The size of the table will nominally be 1.5 m x1.0 m.

The rear of the arrangement shall be flush with the back of the supporting tabletop unless that would not be possible or typical of normal use.

All units of equipment forming the system under test (includes the EUT as well as connected peripherals and associated equipment or devices) shall be arranged such that a nominal 0.1 m separation is achieved between the neighboring units.

Connect EUT to the power mains through a line impedance stabilization network (LISN). Where the mains cable supplied by the manufacturer is longer than 1 m, the excess should be folded at the centre into a bundle no longer than 0.4 m, so that its length is shortened to 1 m.

All the support units are connecting to the other LISN.

The LISN provides 50 ohm coupling impedance for the measuring instrument.

Both sides of AC line were checked for maximum conducted interference.

The frequency range from 150 kHz to 30 MHz was sweep.

Set the test-receiver system to quasi peak detect function and average detect function, and to measure the conducted emissions values.

Test results were obtained from the following equation:

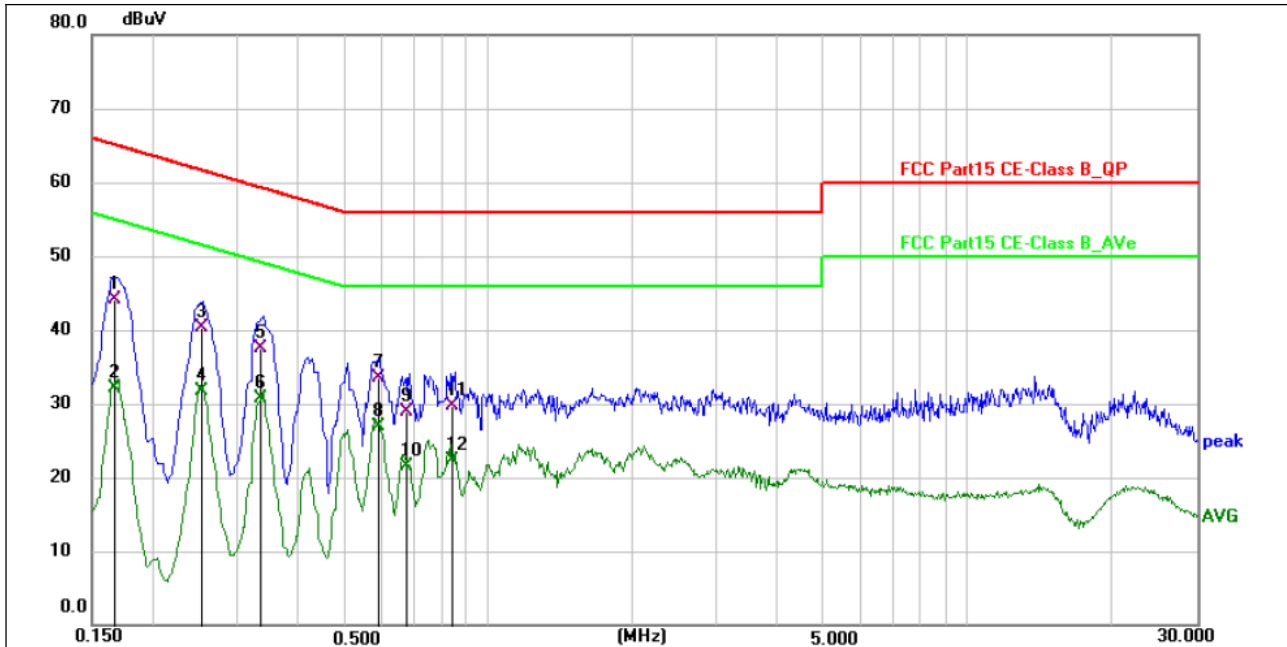
Emission Level (dB $\mu$ V) = LISN Factor (dB) + Cable Loss (dB) + Reading (dB $\mu$ V)

Margin (dB) = Emission Level (dB $\mu$ V) - Limit (dB $\mu$ V)

#### 5.4. Measuring Results

**PASS.**

Temperature:	26°C	Relative Humidity:	54%
Pressure:	101kPa	Phase :	L
Test Voltage :	AC 120V/60Hz	Mode:	Mode 10

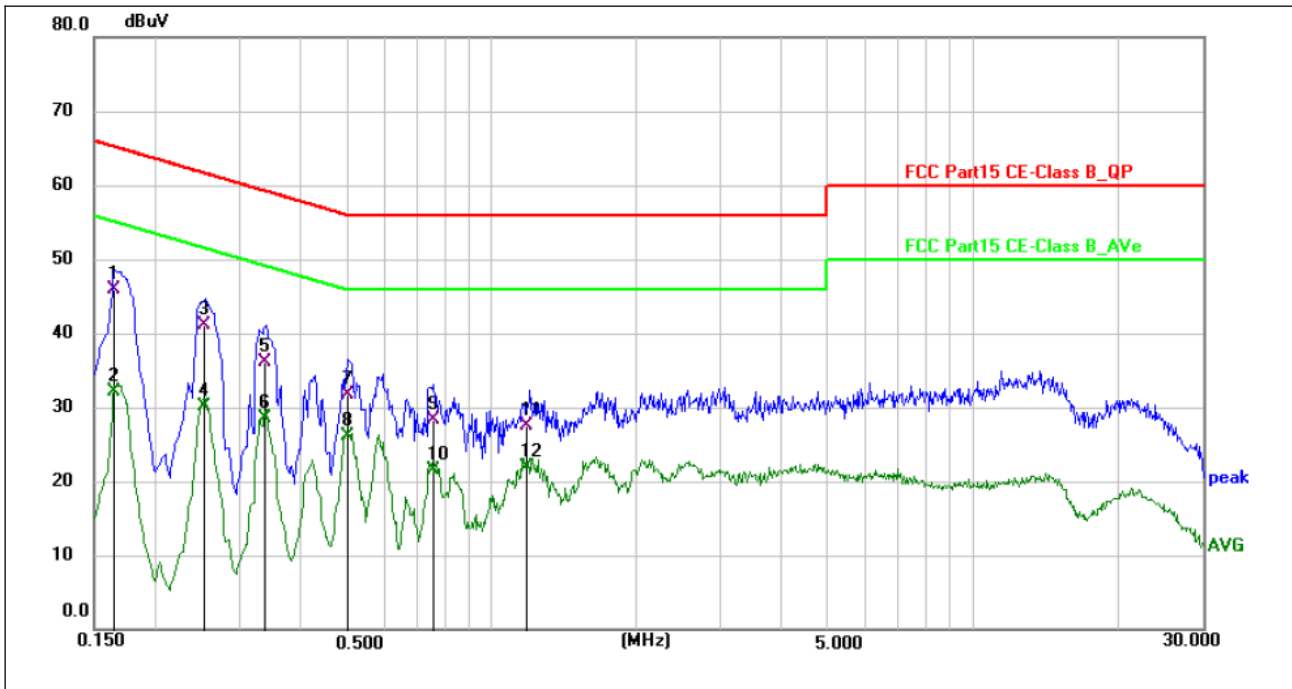


No.	Frequency (MHz)	Reading (dBuV)	Factor (dB)	Level (dBuV)	Limit (dBuV)	Margin (dB)	Detector
1	0.1669	34.46	9.67	44.13	65.11	-20.98	QP
2	0.1669	22.44	9.67	32.11	55.11	-23.00	AVG
3	0.2541	30.64	9.67	40.31	61.62	-21.31	QP
4	0.2541	22.01	9.67	31.68	51.62	-19.94	AVG
5	0.3378	27.80	9.67	37.47	59.26	-21.79	QP
6 *	0.3378	21.08	9.67	30.75	49.26	-18.51	AVG
7	0.5910	23.74	9.67	33.41	56.00	-22.59	QP
8	0.5910	17.24	9.67	26.91	46.00	-19.09	AVG
9	0.6789	19.32	9.66	28.98	56.00	-27.02	QP
10	0.6789	11.93	9.66	21.59	46.00	-24.41	AVG
11	0.8493	19.96	9.66	29.62	56.00	-26.38	QP
12	0.8493	12.63	9.66	22.29	46.00	-23.71	AVG

**Notes:**

1. An initial pre-scan was performed on the line and neutral lines with peak detector.
2. Quasi-Peak and Average measurement were performed at the frequencies with maximized peak emission.
3. Measurement Level = Reading level + Correct Factor

Temperature:	26°C	Relative Humidity:	54%
Pressure:	101kPa	Phase :	N
Test Voltage :	AC 120V/60Hz	Mode:	Mode 10



No.	Frequency (MHz)	Reading (dBuV)	Factor (dB)	Level (dBuV)	Limit (dBuV)	Margin (dB)	Detector
1 *	0.1657	36.14	9.67	45.81	65.17	-19.36	QP
2	0.1657	22.44	9.67	32.11	55.17	-23.06	AVG
3	0.2535	31.47	9.66	41.13	61.64	-20.51	QP
4	0.2535	20.48	9.66	30.14	51.64	-21.50	AVG
5	0.3395	26.36	9.66	36.02	59.22	-23.20	QP
6	0.3395	18.80	9.66	28.46	49.22	-20.76	AVG
7	0.5017	22.10	9.67	31.77	56.00	-24.23	QP
8	0.5017	16.44	9.67	26.11	46.00	-19.89	AVG
9	0.7618	18.73	9.67	28.40	56.00	-27.60	QP
10	0.7618	11.77	9.67	21.44	46.00	-24.56	AVG
11	1.1918	17.79	9.67	27.46	56.00	-28.54	QP
12	1.1918	12.25	9.67	21.92	46.00	-24.08	AVG

Notes:

1. An initial pre-scan was performed on the line and neutral lines with peak detector.
2. Quasi-Peak and Average measurement were performed at the frequencies with maximized peak emission.
3. Measurement Level = Reading level + Correct Factor

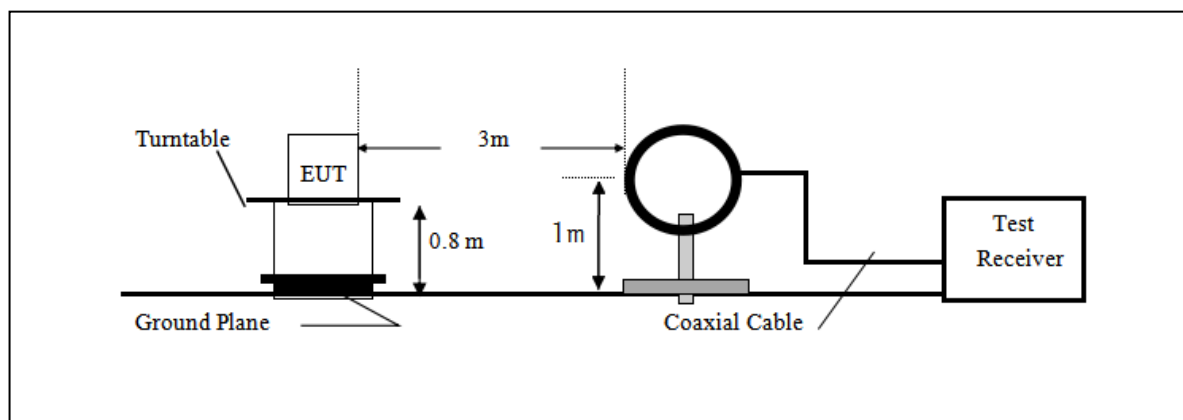
## 6. RADIATED EMISSION TEST

### 6.1. Measurement Procedure

1. The EUT was placed on a turn table which is 0.8m above ground plane.
2. Maximum procedure was performed on the six highest emissions to ensure EUT compliance.
3. And also, each emission was to be maximized by changing the polarization of receiving antenna both horizontal and vertical.
4. Repeat above procedures until all frequency measured were complete.
5. Use the following receiver/spectrum analyzer settings:  
Span = wide enough to fully capture the emission being measured  
RBW=200Hz for 9KHz to 150KHz,  
RBW=9kHz for 150KHz to 30MHz,  
RBW=120KHz for 30MHz to 1GHz  
VBW  $\geq 3 \times$  RBW  
Sweep = auto  
Detector function = QP  
Trace = max hold

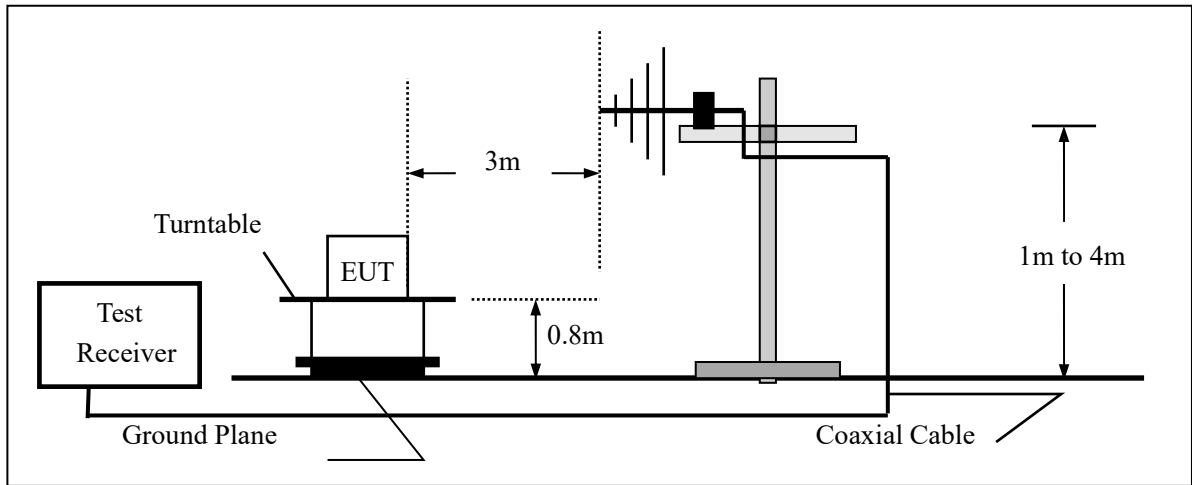
### 6.2. Test SET-UP (Block Diagram of Configuration)

(A) Radiated Emission Test Set-Up, Frequency Below 30MHz





(B) Radiated Emission Test Set-Up, Frequency Below 1000MHz



6.3. Radiated Emission Limit

The emissions from an intentional radiator shall not exceed the field strength levels specified in the following table 15.209(a):

FCC Part 15.209				
Frequency (MHz)	Field Strength Limitation		Field Strength Limitation Frequency tion at 3m Measurement Dist	
	(uV/m)	Dist	(uV/m)	(dBuV/m)
0.009 – 0.490	$2400 / F(\text{KHz})$	300m	$10000 * 2400/F(\text{KHz})$	$20\log 2400/F(\text{KHz}) + 80$
0.490 – 1.705	$24000 / F(\text{KHz})$	30m	$100 * 24000/F(\text{KHz})$	$20\log 24000/F(\text{KHz}) + 40$
1.705 – 30.00	30	30m	$100 * 30$	$20\log 30 + 40$
30.0 – 88.0	100	3m	100	$20\log 100$
88.0 – 216.0	150	3m	150	$20\log 150$
216.0 – 960.0	200	3m	200	$20\log 200$
Above 960.0	500	3m	500	$20\log 500$

## 15.205 Restricted bands of operation

MHz	MHz	MHz	GHz
0.090 - 0.110	16.42 - 16.423	399.9 - 410	4.5 - 5.15
<sup>1</sup> 0.495 - 0.505	16.69475 - 16.69525	608 - 614	5.35 - 5.46
2.1735 - 2.1905	16.80425 - 16.80475	960 - 1240	7.25 - 7.75
4.125 - 4.128	25.5 - 25.67	1300 - 1427	8.025 - 8.5
4.17725 - 4.17775	37.5 - 38.25	1435 - 1626.5	9.0 - 9.2
4.20725 - 4.20775	73 - 74.6	1645.5 - 1646.5	9.3 - 9.5
6.215 - 6.218	74.8 - 75.2	1660 - 1710	10.6 - 12.7
6.26775 - 6.26825	108 - 121.94	1718.8 - 1722.2	13.25 - 13.4
6.31175 - 6.31225	123 - 138	2200 - 2300	14.47 - 14.5
8.291 - 8.294	149.9 - 150.05	2310 - 2390	15.35 - 16.2
8.362 - 8.366	156.52475 - 156.52525	2483.5 - 2500	17.7 - 21.4
8.37625 - 8.38675	156.7 - 156.9	2690 - 2900	22.01 - 23.12
8.41425 - 8.41475	162.0125 - 167.17	3260 - 3267	23.6 - 24.0
12.29 - 12.293	167.72 - 173.2	3332 - 3339	31.2 - 31.8
12.51975 - 12.52025	240 - 285	3345.8 - 3358	36.43 - 36.5
12.57675 - 12.57725	322 - 335.4	3600 - 4400	( <sup>2</sup> )

- Remark:
1. Emission level in dBuV/m=20 log (uV/m)
  2. Measurement was performed at an antenna to the closed point of EUT distance of meters.
  3. Only spurious frequency is permitted to locate within the Restricted Bands specified in provision of  $\xi$  15.205, and the emissions located in restricted bands also comply with 15.209 limit.

## 6.4.Measurement Result

Measurement data:

Note: Limit dBuV/m @3m = Limit dBuV/m @300m+ 80

Limit dBuV/m @3m = Limit dBuV/m @30m + 40

9 kHz~30 MHz

Temperature:	26°C	Relative Humidity:	54%
Pressure:	101kPa		
Test Voltage :	DC 3.85V	Mode:	Mode 1

Frequency (kHz)	Meter Reading (dBμV/m)	Factor (dB/m)	Emission Level (dBμV/m)	Limits (dBμV/m)	Margin (dB)	Detector Type
127.72	76.91	20.05	96.96	124.33	-27.37	PK
127.72	58.52	20.07	78.59	104.33	-25.74	AV
269.45	66.11	20.24	86.35	118.99	-32.64	PK
269.45	52.89	20.24	73.13	98.99	-25.86	AV
441.29	64.94	20.02	84.96	114.71	-29.75	PK
441.29	48.81	20.02	68.83	94.71	-25.88	AV
1572.24	27.56	20.59	48.15	63.67	-15.52	QP
3317.7	26.69	21.41	48.1	69.54	-21.44	QP
6234.65	22.46	22.14	44.6	69.54	-24.94	QP

Note:

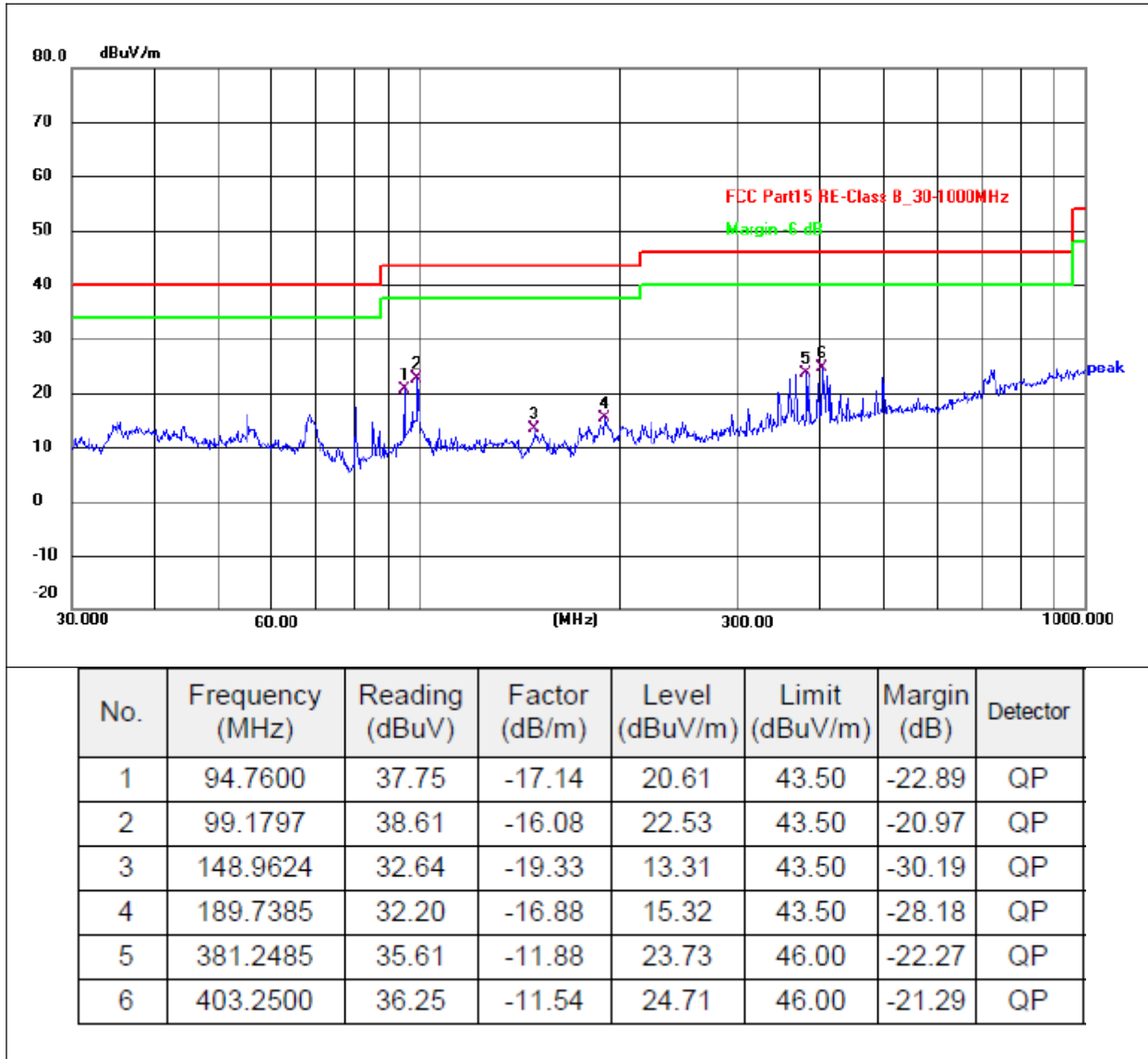
Pre-scan in the all of mode, the worst case in of was recorded.

Factor = antenna factor + cable loss – pre-amplifier.

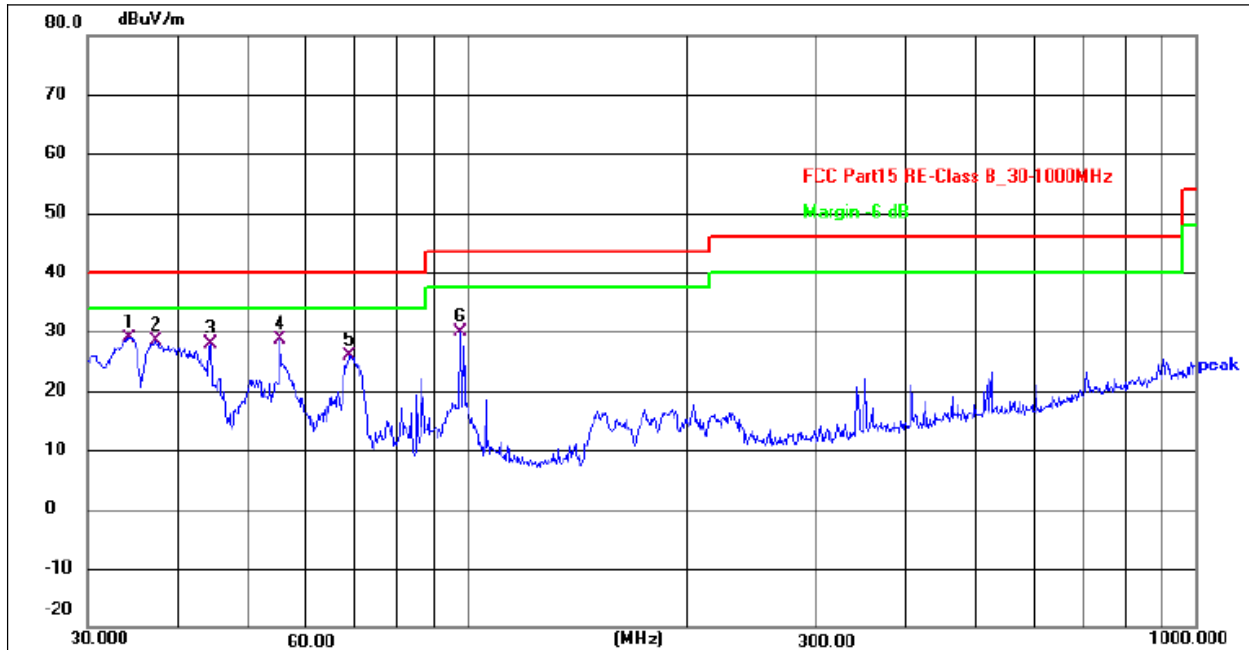
Margin = Emission Level- Limit.

30MHz-1GHz:

Temperature:	26°C	Relative Humidity:	54%
Pressure:	101 kPa	Polarization:	Horizontal
Test Voltage:	DC 3.85V	Mode:	Model 1



Temperature:	26°C	Relative Humidity:	54%
Pressure:	101 kPa	Polarization:	Vertical
Test Voltage:	DC 3.85V	Mode:	Model 1



No.	Frequency (MHz)	Reading (dBuV)	Factor (dB/m)	Level (dBuV/m)	Limit (dBuV/m)	Margin (dB)	Detector
1	34.2760	45.29	-16.32	28.97	40.00	-11.03	QP
2	37.2854	44.02	-15.71	28.31	40.00	-11.69	QP
3	44.2752	42.32	-14.42	27.90	40.00	-12.10	QP
4	55.2207	43.15	-14.64	28.51	40.00	-11.49	QP
5	68.8721	43.63	-17.75	25.88	40.00	-14.12	QP
6	97.7983	46.36	-16.42	29.94	43.50	-13.56	QP

Remarks:

1. Final Level = Receiver Read level + Antenna Factor + Cable Loss – Preamplifier Factor
2. The emission levels of other frequencies are very lower than the limit and not show in test report.

## 7. TEST PHOTOGRAPHS AND EUT PHOTOGRAPHS

Please the attachment for details.

-----The end-----