

The logo consists of a solid blue square with the word "CORNING" written in white, uppercase, serif font, centered within the square.

Everon™ 6000 G2 Build11_1.7

User Manual

Preface Material

About this Manual

This manual describes how to install, use, configure and manage the Corning® Everon™ 6000 G2 platform. It includes a description of the first and ongoing end-to-end configuration, management, and maintenance of the system.

Intended Users and Scope

This manual is applicable to Corning system installation personnel, technicians, and users. It is assumed that the user is familiar with the system and its units and understands the basic functionality of the system.

Contacting Technical Support Help Desk

Corning technical support contact information:

Email: onesupport@corning.com

Tel: +(1) 833 4CORNING (833-426-7646)

Legal Notice

Copyright

Disclaimer

Conventions

Important information is highlighted in a frame as follows:



Warning: Actions requiring special attention to avoid serious physical injury; for example, pay attention when working with high voltage components.



Caution: Actions requiring special attention to avoid possible damage to device.



Note: Tips and suggestions for efficient work

Warranties

Hardware Warranty

Corning Optical Communications, LLC (“Corning”) warrants to the original purchaser (“Customer”) that for a period of one (1) year from the date of shipment of the Hardware, unless otherwise agreed in writing by Corning (the “Hardware Warranty Period”), the Hardware furnished by Corning shall conform in all material respects with, and perform the functions set forth in, the Specifications, as defined below (the “Hardware Warranty”). If notified by Customer of any nonconformity with applicable portions of the Specifications within the Hardware Warranty Period, Corning shall promptly, at its own election and expense, repair or replace the affected Hardware with a product having equivalent functionality as such nonconforming Hardware under the terms of this Hardware Warranty. Such repair or replacement shall be Customer’s sole remedy and Corning’s sole obligation in the event this Hardware Warranty is invoked. If the Hardware or any components comprising a part of the Hardware are replaced or repaired during the Hardware Warranty Period, the Hardware Warranty Period for such repaired or replaced Hardware shall extend to the longer of (i) the balance of the Hardware Warranty Period or (ii) three (3) months from the date of repair or replacement. For purposes of this Warranty, “Specifications” shall mean the specifications and performance standards of the Hardware as set forth in documents formally published by Corning and delivered to Customer which contain technical specifications for the Hardware. If Customer invokes this Hardware Warranty, it shall notify Corning promptly of the claimed defect. Customer will allow Corning to inspect the Hardware at Customer’s location or shall return the Hardware to Corning’s closest repair facility, at Corning’s option. For Hardware returned to Corning’s repair facility, Customer shall be responsible for payment of all transportation and freight costs (including insurance) to Corning’s repair facility, and Corning shall be responsible for all transportation and freight costs (including insurance) incurred in connection with the shipment of such Hardware to other repair facilities of Corning and/or its return to Customer. FOB point shall be the point of origin in either case. Notwithstanding the foregoing, in no event will Corning be liable for damage to Products resulting from improper handling during or after shipment, misuse, neglect, improper installation, operation or repair (other than by authorized Corning personnel), alteration, accident, or for any other cause not attributable to nonconformance to the Specifications on the part of Corning. Corning shall not reimburse or make any allowance to Customer for any labor charges incurred by Customer for replacement or repair of any goods unless such charges are authorized in advance in writing by Corning.

Software Warranty

Corning warrants to Customer that, for a period of one (1) year from the date of shipment of the original Software, unless otherwise agreed in writing by Corning (the “Software Warranty Period”), the Software shall conform in all material respects with the Specifications (the “Software Warranty”). In the event the Software is proven to fail to conform to the Specification during the Software Warranty Period, Corning shall correct such failure and ensure that the Software conforms with the Specifications. Customer will allow Corning to inspect the operation of the Software at Customer’s location or will provide remote access for Corning staff. Notwithstanding the foregoing, Corning shall have no obligation under the Software Warranty if the Software is modified or used with hardware or software not supplied or approved by Corning or if the Software is subject to, improper installation, application, or operation. Third-party software distributed with the Software may carry certain warranties which, to the maximum extent allowed by law, Corning hereby assigns, transfers, and otherwise conveys to Customer, provided, however, that Corning itself provides no warranty of any kind, express, implied, statutory or otherwise, for any third-party software provided hereunder. Corning does not warrant any hardware, software or services not provided by Corning.

THIS WARRANTY IS THE ONLY WARRANTY MADE BY CORNING AND IS IN LIEU OF ALL OTHER WARRANTIES, EXPRESS OR IMPLIED INCLUDING, BUT NOT LIMITED TO, THE IMPLIED WARRANTIES OF MERCHANTABILITY OR FITNESS FOR A PARTICULAR PURPOSE, QUIET ENJOYMENT, THE OPERATION OF THE HARDWARE OR SOFTWARE WILL BE UNINTERRUPTED OR ERROR FREE, NONINFRINGEMENT OR ANY EXPRESS OR IMPLIED WARRANTY ARISING OUT OF TRADE USAGE OR OUT OF COURSE OF DEALING OR COURSE OF PERFORMANCE. CORNING SHALL NOT BE LIABLE FOR ANY OTHER DAMAGE INCLUDING, BUT NOT LIMITED TO, INDIRECT, SPECIAL OR CONSEQUENTIAL DAMAGES ARISING OUT OF OR IN CONNECTION WITH FURNISHING OF HARDWARE, SOFTWARE, PARTS, AND SERVICE HEREUNDER, OR THE PERFORMANCE, USE OF, OR INABILITY TO USE THE HARDWARE, SOFTWARE, PARTS AND SERVICE. CORNING SALES AGENTS OR REPRESENTATIVES ARE NOT AUTHORIZED TO MAKE COMMITMENTS ON WARRANTY RETURNS

Returns

In the event it is necessary to return any Hardware for a warranty claim, the following procedure shall be followed:

1. Customer must receive a return authorization from Corning prior to returning any Hardware unit. Customer shall advise Corning of the model, serial number, original ship date, and claimed discrepancy. Hardware may then be forwarded to Corning, transportation prepaid. Any Hardware returned collect or without authorization may not be accepted. Returned Hardware must be packaged to protect it against physical or ESD (static) damage, using original packaging whenever possible. Damage incurred during return shipping is not covered by warranty.
2. Prior to repair, Corning will advise Customer of the any test results. If the issue with the Hardware is covered by the warranty, Corning shall either repair or replace the Hardware. Corning may use refurbished Hardware to satisfy a warranty claim. Repaired Hardware is warranted for the longer of (i) the balance of the Hardware Warranty Period or (ii) three (3) months from the date of repair or replacement.
3. If Corning determines that the Hardware is meeting the Specification (no fault found), Corning shall so notify Customer and shall return the Hardware to Customer at Customer's expense.
4. If Corning determines that the problem with the Hardware is as a result of a Customer-caused problem or out-of-warranty condition, Corning shall so notify Customer. If Corning provides out of warranty repair, Corning shall advise Customer of the charges to repair or replace the Hardware. Should Customer decline out-of-warranty repairs, Customer may opt to have Corning scrap the materials via an accredited recycling vendor at Customer's expense or Corning shall return the Hardware to Customer at Customer's expense

Reporting Defects

The units were inspected before shipment and found to be free of mechanical and electrical defects. Examine the units for any damage that may have been caused in transit. If damage is discovered, file a claim with the freight carrier immediately. Notify Corning as soon as possible in writing.

Note: Keep all packing material until you have completed the inspection.

Warnings and Admonishments

There may be situations, particularly for workplace environments near high-powered RF sources, where recommended limits for safe exposure of human beings to RF energy could be exceeded. In such cases, restrictive measures or actions may be necessary to ensure the safe use of RF energy.

The device has been designed and constructed to prevent, as far as reasonably, practicable danger. Any work activity on or near device involving installation, operation or maintenance must be, as far as reasonably, free from danger.

Where there is a risk of damage to electrical systems involving adverse weather, extreme temperatures, wet, corrosive or dirty conditions, flammable or explosive atmospheres, the system must be suitably installed to prevent danger.

Device provided for the purpose of protecting individuals from electrical risk must be suitable for the purpose and properly maintained and used. This covers a range of activities including lifting, lowering, pushing, pulling, carrying, moving, holding or restraining an object, animal or person from the equipment. It also covers activities that require the use of force or effort, such as pulling a lever, or operating power tools.

Where some of the abovementioned activities are required, the device must be handled with care to avoid being damaged.

Observe standard precautions for handling ESD-sensitive devices. Assume that all solid-state electronic devices are ESD-sensitive. Ensure the use of a grounded wrist strap or equivalent while working with ESD-sensitive devices. Transport, store, and handle ESD-sensitive devices in static-safe environments.

WARNING! This is NOT a CONSUMER device. It is designed for installation by FCC LICENSEES and QUALIFIED INSTALLERS. You MUST have an FCC LICENSE or express consent of an FCC Licensee to operate this device. Unauthorized use may result in significant forfeiture penalties, including penalties in excess of \$100,000 for each continuing violation.

Note: The grantee is not responsible for any changes or modifications not expressly approved by the party responsible for compliance. Such modifications could void the user's authority to operate the equipment.

RF Safety

To comply with FCC RF exposure compliance requirement, adhere to the following warnings:

Warning! Antennas used for this product must be fixed mounted on indoor permanent structures, providing a separation distance of at least **540** and above cm from all persons during normal operation.

Warning! Each individual antenna used for this transmitter must be installed to provide a minimum separation distance of **540** cm or more from all persons and must not be co-located with any other antenna for meeting RF exposure requirements.

Warning! Antenna gain should not exceed **12.5** dBi.

Warning! The design of the antenna installation needs to be implemented in such a way to ensure RF radiation safety levels and non-environmental pollution during operation.

Compliance with RF Safety Requirements:

CAUTION! Use of controls, adjustments, or performance of procedures other than those specified herein may result in hazardous radiation exposure.

Power Requirements for DC Inputs

Warning! Only use a special DC supply cable with connector

Warning! Always keep DC IN connectors connected during the product operation

Warning! Disconnect all power from the device by means of an external circuit breaker before connecting or disconnecting the DC IN connectors.

Frequency Bands

Frequency Range Name	Uplink	Downlink	Technology
600-band 71	663-698 MHz	617-652 MHz	FDD
700L (Lower Band)- band 12	698-716 MHz	728-746 MHz	FDD
700U (Upper Band)-band 13	776-787 MHz	746-757 MHz	FDD
FirstNet (700)-band 14	788-798 MHz	758-768 MHz	FDD
800/850	817-849 MHz	862-894 MHz	FDD
1900 (PCS)-band 25	1850-1915 MHz	1930-2020 MHz	FDD
1900- band 2	1850-1910 MHz	1930-1990 MHz	FDD
EAWS-band 66	1695-1780 MHz	2110-2200 MHz	FDD
AWS- band 4	1710-1755 MHz	2110-2155 MHz	FDD
WCS-band 30	2305-2315 MHz	2350-2360 MHz	FDD
2500-band 41		2496-2690 MHz	TDD
3500-band 78		3450-3700 MHz	TDD
3700-band 77		3700-3980 MHz	TDD

Compliance with RF Safety Requirements:

Warning! Only use provided AC/DC supply cable with connector

Warning! Always keep AC/DC IN connectors connected during the product operation

Licensee Contact Information

Industrial Boosters may only be used by FCC licenses or those given express (individualized) consent of license. Corning Optical Communications Wireless certifies all the VARs listed as licensed installers for Corning. For the list of licensed VARs, please contact the Technical Support Team at:

Email: ONESupport@corning.com or Phone: + (1) 833 4-CORNING (833-426-7646)

For our device dHRU-G2-19, with FCC ID : OJFDHRU-G2-19 is limited to operations under waiver DA 13-2409 (DISH waiver).

Warning : this device is license operation and not support home/personal use.

Caution message: The device is restricted use of unauthorized antennas, cables, and/or coupling devices which may cause device not conforming with ERP/EIRP limit and rf exposure requirement.

Contents

1.	Introduction	9
1.1	Key Features and Capabilities	9
1.2	Terminology, Acronyms, and Abbreviations	10
1.3	Corning® Everon™ 6000 G2 Architecture Overview	11
1.4	Internal Sub-units	12
1.4.1	RIU.....	12
1.4.2	DCU	17
1.4.3	DEU.....	21
1.4.4	Remote Units	24
1.4.5	System topology and gain assignment.....	29
2.	System Installation	32
2.1	Headend Units – Architecture Example.....	33
2.2	RIU Installation	34
2.2.1	Verify Box Contents.....	34
2.2.2	Mount the RIU	35
2.2.3	RIU Cable Connection	37
2.3	DCU Installation.....	37
2.3.1	Verify Box Contents.....	38
2.3.2	Mount the DCU	38
2.3.3	DCU Cable Connection	40
2.4	DEU Installation.....	40
2.4.1	Verify Box Contents.....	41
2.4.2	Mount the DEU	42
2.4.3	DEU Cable Connection	43
2.5	dLRU Installation.....	44
2.5.1	Verify box Contents	44
2.5.2	Mount the dLRU	45
2.5.3	Power+ SPF+ Cable	53
2.5.4	Connect the Ground and Antenna Cables	55
2.5.5	Combiner cables.....	56
2.5.6	Verify normal operation	58
2.6	dMRU Installation.....	59
2.6.1	Verify box Contents.....	59
2.6.2	dMRU Dimensions.....	60

2.6.3	dMRU Interfaces	61
2.6.4	Cables Connection	61
2.6.5	Power	61
2.6.6	SFP+ Cables	62
2.6.7	Fan module (optional)	63
2.6.8	Mount the dMRU	64
2.6.9	Wall mounted installation	64
2.6.10	Connect the rest of the Cables	66
2.6.11	Ground.....	66
2.6.12	Antenna	67
2.6.13	Verify normal operation	67
2.7	dHRU Installation.....	68
2.7.1	Verify box Contents.....	68
2.7.2	dHRU Dimensions.....	69
2.7.3	dHRU Interfaces	70
2.7.4	Cables Connection	71
2.7.5	Power	71
2.7.6	SFP+ Cables	71
2.7.7	Wall mounted installation	72
2.7.8	Connect the rest of the Cables	74
2.7.9	Ground.....	74
2.7.10	Antenna	75
2.7.11	Verify normal operation	75
3.	GUI – General Description.....	76
3.1	Screen Layout	76
3.2	Function Options	76
3.3	Supported Access Options.....	77
4.	Session Access and first-time settings	78
4.1	Commission a Local Session.....	78
5.	Commissioning	82
5.1	RIU Config.....	86
5.1.1	RIU WEB overview.....	86
5.1.2	RIU Parameter Config	87
5.2	DCU Config	90
5.2.1	DCU -> Dashboard	90
5.2.2	DCU -> RIU	98
5.2.3	DCU -> Function.....	99

5.2.4	DCU -> User Info	107
5.3	DEU Config.....	111
5.3.1	DEU -> Dashboard	112
5.3.2	DEU -> Function.....	125
5.3.3	DEU -> User Info	132
5.4	dMRU Config	137
5.4.1	RU -> Overview & Alarm	137
5.4.2	dMRU Parameter config	139
5.5	dLRU Config	143
5.5.1	RU -> Overview & Alarm.....	143
5.5.2	dLRU Parameter config	144
5.6	dHRU Config	147
5.6.1	RU -> Overview & Alarm.....	147
5.6.1	dHRU Parameter config	148
5.7	System Downlink/Uplink Config	152
5.7.1	Downlink Output Power Config (Power Sharing Process)	152
5.7.2	Uplink Gain Config.....	155
5.8	Case.....	156
6.	APPENDIX: LED Functionality and Color Definition.....	160

1. Introduction

Corning® Everon™ 6000 G2 is an advanced cellular service solution for small, medium, and large size venues, supporting a broad range of cellular generations, including 3G, 4G, and 5G.

Everon 6000 G2 is based on venues, advanced digital transport and processing, and channelized implementation, enabling efficient utilization of digital links. It is designed to support multi-band, multi-technology, and multi-operator networks through the single fiber-based infrastructure.

Everon 6000 G2 is a high bandwidth distribution architecture that provides preparedness for future radio technologies, broader spectrum, and new frequency bands. Due to its modular design and configuration flexibility, this solution is highly scalable in terms of supported capacity (number of sectors, frequency bands, channels) and remote units (coverage), and can be easily configured to support a large variety of deployment scenarios including single and multi-building (“campus”) network topologies.

This solution offers multiple types of digital remote units, supporting a variety of frequency band combinations, with different power levels ranging from 20 dBm per band to 43dBm per band. Advanced network configuration and management capabilities enable on-site and remote end-to-end configuration, system diagnostics, maintenance, and support network operations center (NOC) connectivity.

1.1 Key Features and Capabilities





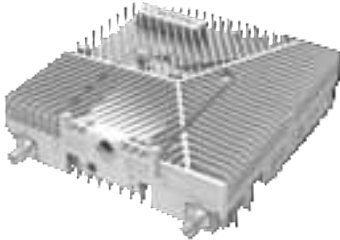


- **Comprehensive service support** - 600 MHz, 700 MHz, FirstNet, 800/850 MHz, 1900 MHz (PCS), 2100 MHz (EAWS), 2300 MHz (WCS), 2500 MHz (TDD), 3500 MHz (TDD). Supports MIMO services, FDD and TDD. Supports 3G, 4G, and 5G technologies.
- **Multi-X system** - Supports multi-operator, multi-band, multi-technology services through a single infrastructure. Supports single and multi-building (“campus”) network solutions.
- **Highly modular/highly scalable** - Can be easily expanded to support additional capacity sectors, frequency bands, channels, and coverage areas, by increasing the number of remotes.
- **Advanced digital signal processing** - Provides higher dynamic range, enables per-channel granularity, delivers enhanced overall power efficiency, and improves overall system performance.
- **Digital CPRI-based transport** - Provides robust signal distribution with flexible scalability.
- **Digital Service and capacity routing** - Enables advanced capacity and coverage management through flexible routing configuration management.
- **Carrier-grade network management** - Network configuration and management capabilities enable on-site and remote end-to-end configuration, system diagnostics, maintenance, support management and control by network management system.

1.2 Terminology, Acronyms, and Abbreviations

Terminology/Acronyms/Abbreviations

Abbreviation	Full Name
RIU	Radio Interface Unit
DCU	Digital Conversion Unit
DEU	Distributed Extension Unit
dLRU	Digital Low-Power Remote Unit
dMRU	Digital Medium-Power Remote Unit
dHRU	Digital High-Power Remote Unit
NOC	Network Operation Center
SMV	Small Medium Venues
CPRI	Common Public Radio Interface
DSP	Digital Signal Processing
EARFCN	E-UTRA Absolute Radio Frequency Channel Number
EPC	Evolved Packet Core
EUTRA	Evolved Universal Terrestrial Radio Access
EUTRAN	Evolved Universal Terrestrial Radio Access Network
FPGA	Field Programmable Gate Array
GE / GigE	Gigabit Ethernet
GPS	Global Positioning System
IRFC	Integrated Radio Frequency Cluster
LTE	Long-Term Evolution
MNO	Mobile Network Operator
PLMN	Public Land Mobile Network
RF	Radio Frequency
SNMP	Simple Network Management Protocol
TCP	Transmission Control Protocol
UDP	User Datagram Protocol
UE	User Equipment
UL	Uplink
UTRAN	Universal Terrestrial Radio Access Network
UDP	User Datagram Protocol

Images

Abbreviation	Image
RIU-TDD	
RIU-FDD	
DCU	
DEU	
dLRU	
dMRU	
dHRU	

1.3 Corning® Everon™ 6000 G2 Architecture Overview

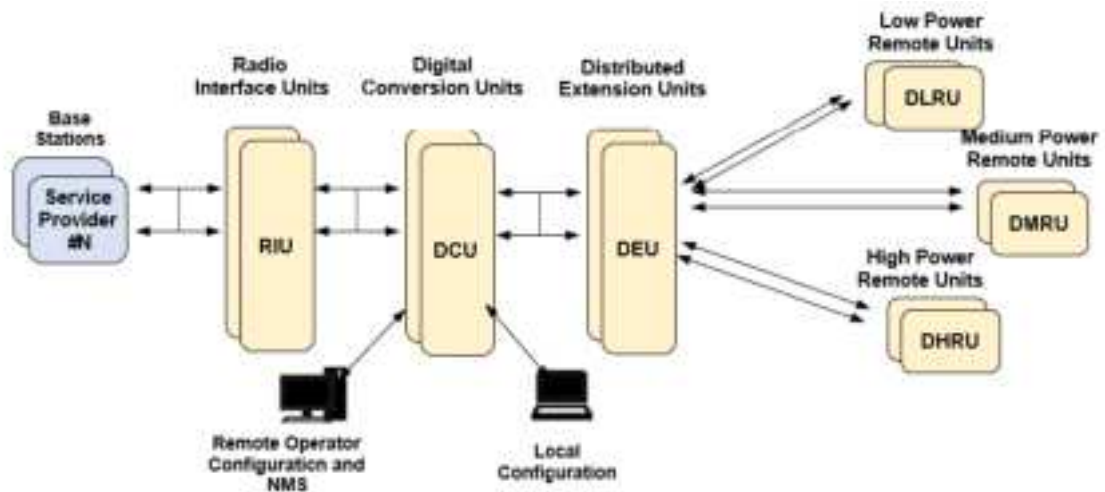


Figure 1. Architecture diagram

Everon 6000 G2 features a fully advanced digital system, which incorporates the RIU (Radio Interface Unit), DCU (Digital Conversion Unit), DEU (Distributed Extension Unit) and multiple types of remotes. All the devices in the system are managed via a web session to the DCU, which provides local and remote management capabilities for all connected system devices using both web GUI (HTTPs) and SNMP interfaces.

1.4 Internal Sub-units

1.4.1 RIU



Figure 2. RIU image

The Radio Interface Unit (RIU) is a frequency band specific unit. The RIU provides an interface and signal conditioning to signals coupled between the base station RF antenna ports and the DCU. The RIU interfaces up to 8 RF duplexed ports to the base station, and up to 8 simplex ports to the Digital Conversion Unit (DCU) with the following functions:

- Signal combination: The RIU combines different base station signals into one wideband signal, the combination matrix of which is software-controllable, listed in *Figure 3* through 5.
- Downlink/Uplink attenuation: With an embedded fixed attenuator with 30dB in downlink and 40dB in uplink, the RIU bears up to 37dBm average input power (with PARP no more than 10dB).
- Gain control: In addition to the fixed attenuator, the RIU includes an internal digital attenuator controlling the gain between the input and output in the range of 0-25dB.

Device management: Remote control and monitor of RIU is available on the DCU via the 2xRJ45. connections. In the case of multiple RIU applications, the management can be achieved with a cascading topology, shown in *Figure 6*. *Figure 7*-*Figure 10* show the RIU interfaces. *Table 1* lists the interfaces' descriptions.

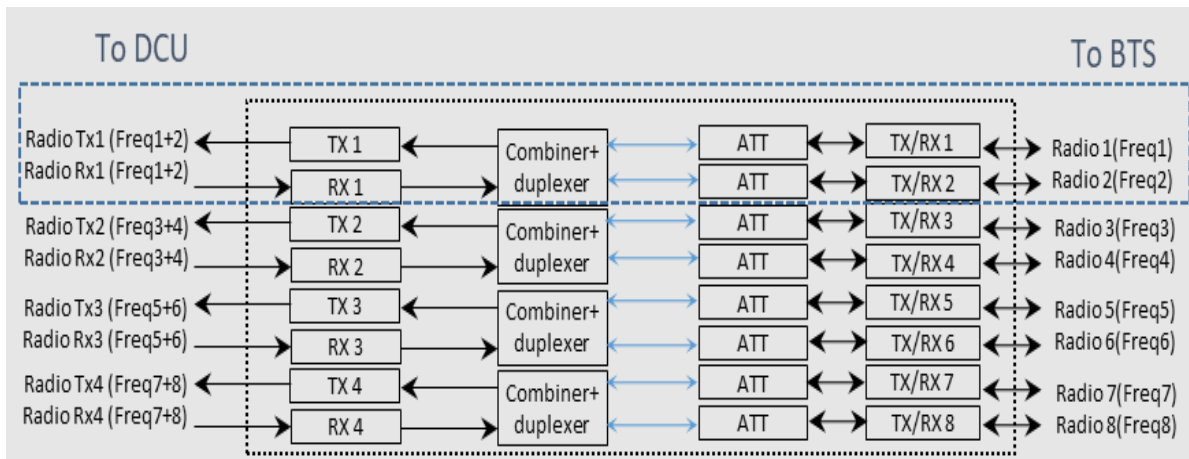


Figure 3. 2 TO 1 Matrix

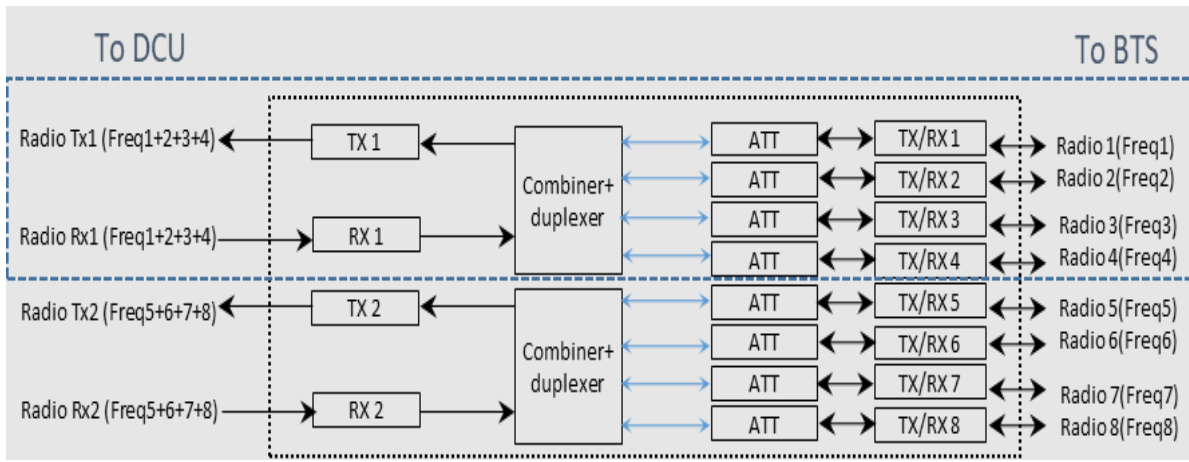


Figure 4. 4 TO 1 Matrix

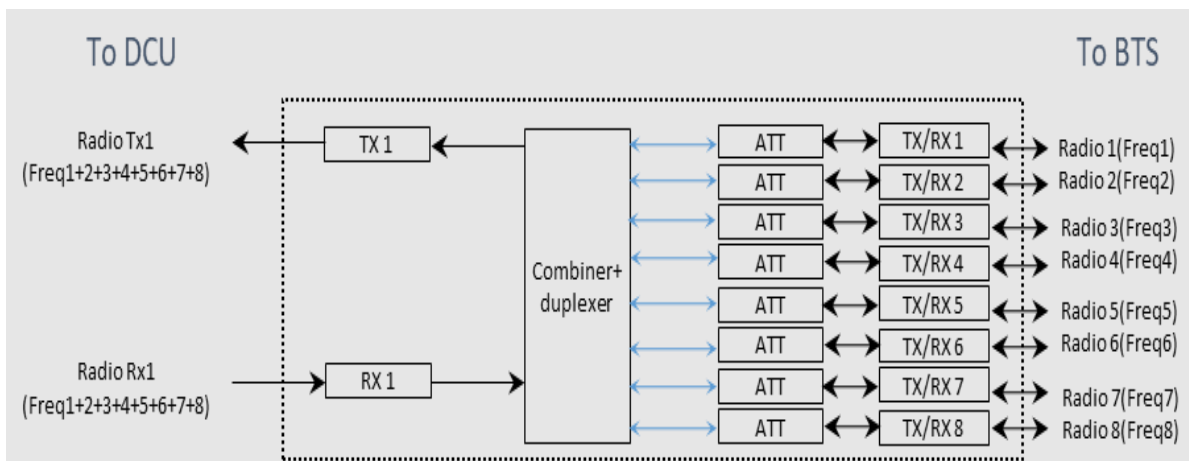


Figure 5. 8 TO 1 Matrix

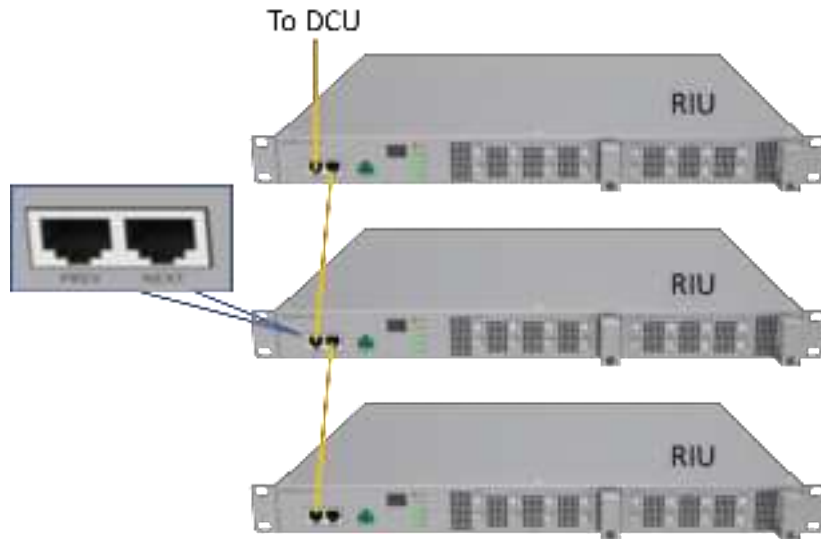


Figure 6. RIU-TDD Monitoring Diagram

Note:

1. The orange line is ethernet cable.
2. The RIU-FDD ethernet cable connection is the same as RIU-TDD.

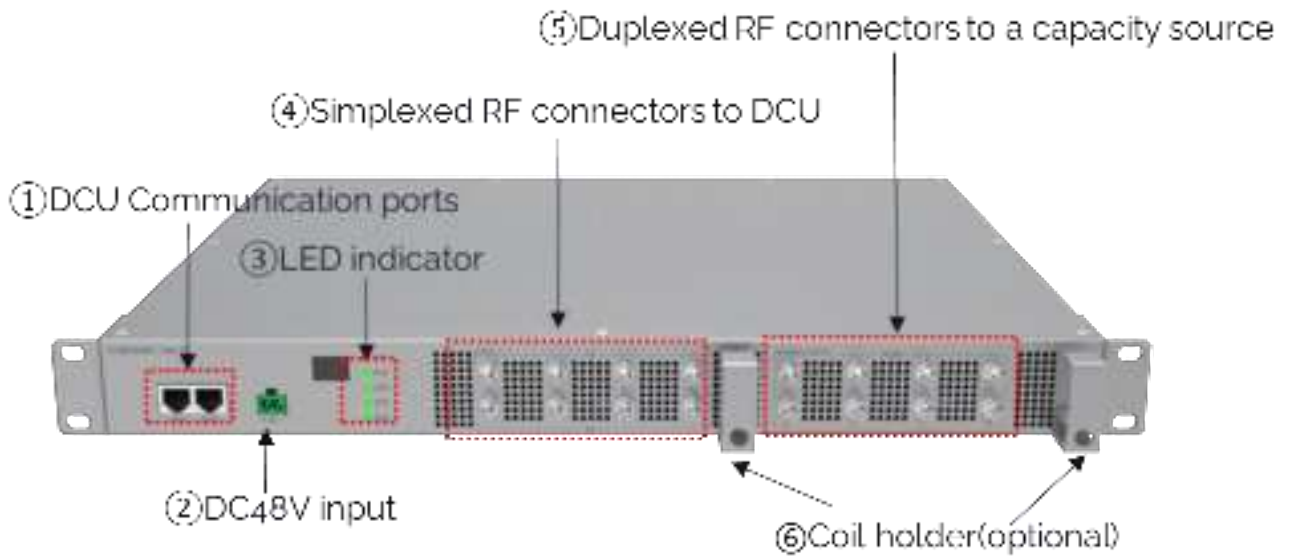


Figure 7. RIU-TDD Interface (front view)



Figure 8. RIU-TDD Interface (back view)

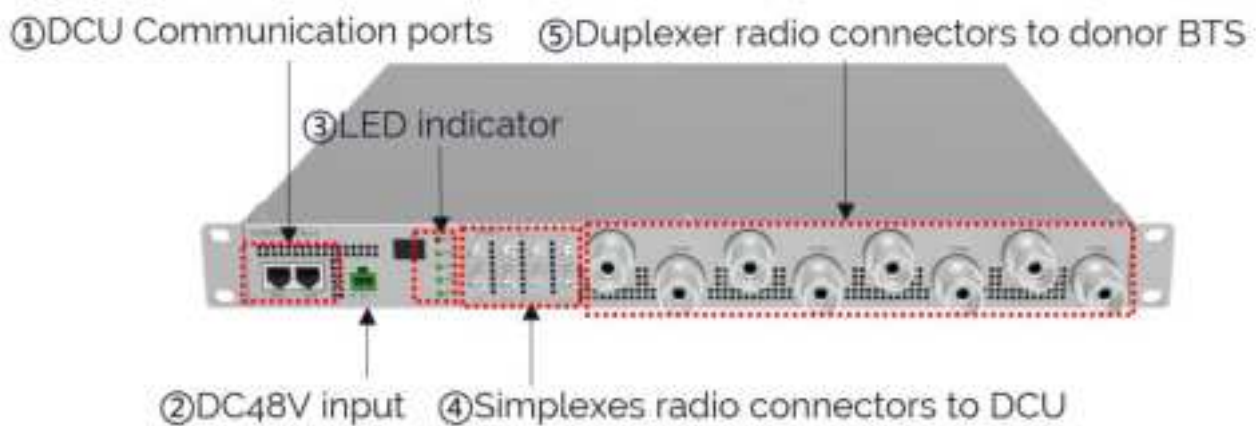


Figure 9. RIU-FDD Interface (front view)



Figure 10. RIU-FDD Interface (back view)

Table 1. RIU Interfaces

SN	Interface	Interface Type	Silk Screen	Description
1	DCU communication port	RJ45 x 2	PREV NEXT	PREV: Upper cascade port to DCU or upper level RIU NEXT: Lower cascade port to other RIU
2	DC input	Phoenix connector x 1	DC_IN	48V DC
3	LED indicator	LED x 2	ALM RUN	Please check the “RIU LED Definition” (Table 4) for the color definition
4	RF connectors to DCU	QMA x 8	TX 1~4 RX 1~4	Simplex QMA interface to DCU
5	RF connectors to donor signal	4.3-10 x 8(FDD RIU) QMA x 8(TDD RIU)	TX/RX 1~8	Duplex 4.3-10/ QMA interface to BTS, small cells or other donor signals
6	Coil holder	Coil holder x 2		The holder for the cable roasting
7	GND	Two holes M4 x 2	GND	Connect to the ground

Table 2. RIU LED Definitions

LED	Description	Color	State
ALM	Alarm	Red	Solid
	Device detection (Identified and controlled by the DCU)	Red	Flash (1Hz, 10s)
	No alarm	OFF	Off
RUN	The system is up and running	Green	Flash (1Hz)
	Software or hardware failure	OFF	Off
2TO1	Working mode: 2 TO 1	Green	Solid
	Other working modes	OFF	Off
4TO1	Working mode: 4 TO 1	Green	Solid
	Other working modes	OFF	Off
8TO1	Working mode: 8 TO 1	Green	Solid
	Other working modes	OFF	Off
LED displayer	Cascade level, displayed as "1" or "2" 1 - First cascade level 2 - Secondary cascade level A maximum of 16 devices can be cascaded	-	-

1.4.2 DCU



Figure 11. DCU

Digital Conversion Unit (DCU) is the Corning® Everon™ 6000 G2 central controller. The DCU interfaces between the RIU and DEU, implementing signal conversion, processing, and distribution of multiband digital signals to the Distributed Extension Unit (DEU), major functionalities of which include:

- RF signal conversion into digital signal, processing, and distribution: The DCU transfers received signals from RIU to digital signal in CPRI format. One DCU supports up to 8 RIUs of different bands with 2x2 MIMO, and configures all the radio signal features including frequency, attenuation, operation mode (TDD/FDD).
- Optical port router controlling: The DCU controls the digital signals of different DEUs at different CPRI line rates of 10Gbps or 25Gbps.
- TDD synchronization: The DCU introduces a TDD signal processing module, demodulates TDD-LTE or NR RF signals, and recovers the TDD switch time in the remote units. For a fast detection and commissioning, parameters in
- Table 5 and Table 6 are needed.
- Center management of the complete system: the DCU is the main management entity of the entire system. All the device and operation information are centrally collected by the DCU, and the DCU interfaces to operators' management system through the SNMP interface.
- Flexible networking for different deployment strategies: The DCU supports daisy chain and/or star connections* as shown in Figure 12, where distributed deployments can be enabled, e.g., remote site deployment.

Figure 13-Figure 14 show the DCU interfaces.

Table 5 lists the interfaces' descriptions.

**Note: please check the software release note for the DCU daisy chain/star connection limitations and supported version.*

Table 3. Uplink-Downlink configurations

Uplink-downlink configuration	Downlink-to-Uplink Switch-point periodicity	Subframe number									
		0	1	2	3	4	5	6	7	8	9
0	5 ms	D	S	U	U	U	D	S	U	U	U
1	5 ms	D	S	U	U	D	D	S	U	U	D
2	5 ms	D	S	U	D	D	D	S	U	D	D
3	10 ms	D	S	U	U	U	D	D	D	D	D
4	10 ms	D	S	U	U	D	D	D	D	D	D
5	10 ms	D	S	U	D	D	D	D	D	D	D

6	5 ms	D	S	U	U	U	D	S	U	U	D
---	------	---	---	---	---	---	---	---	---	---	---

Table 4. Configuration of special subframe (lengths of DwPTS/GP/UpPTS)

Special subframe configuration	Normal cyclic prefix in downlink			Extended cyclic prefix in downlink		
	DwPTS	UpPTS		DwPTS	UpPTS	
	/	Normal cyclic prefix in uplink	Extended cyclic prefix in uplink	/	Normal cyclic prefix in uplink	Extended cyclic prefix in uplink
0	$6592 \cdot T_s$			$7680 \cdot T_s$	$2192 \cdot T_s$	
1	$19760 \cdot T_s$			$20480 \cdot T_s$		
2	$21952 \cdot T_s$			$23040 \cdot T_s$		
3	$24144 \cdot T_s$			$25600 \cdot T_s$		
4	$26336 \cdot T_s$			$7680 \cdot T_s$		
5	$6592 \cdot T_s$	$4384 \cdot T_s$	$5120 \cdot T_s$	$20480 \cdot T_s$	$4384 \cdot T_s$	$5120 \cdot T_s$
6	$19760 \cdot T_s$			$23040 \cdot T_s$		
7	$21952 \cdot T_s$			-	-	-
8	$24144 \cdot T_s$			-	-	-

Special subframe configuration	Normal cyclic prefix in downlink		
	DwPTS	GP	UpPTS
0	3	10	1
1	9	4	1
2	10	3	1
3	11	2	1
4	12	1	1
5	3	9	2
6	9	3	2
7	10	2	2
8	11	1	2

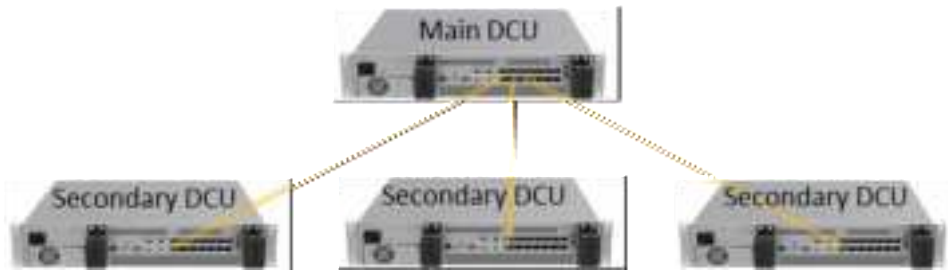


Figure 12. DCU Star Connection

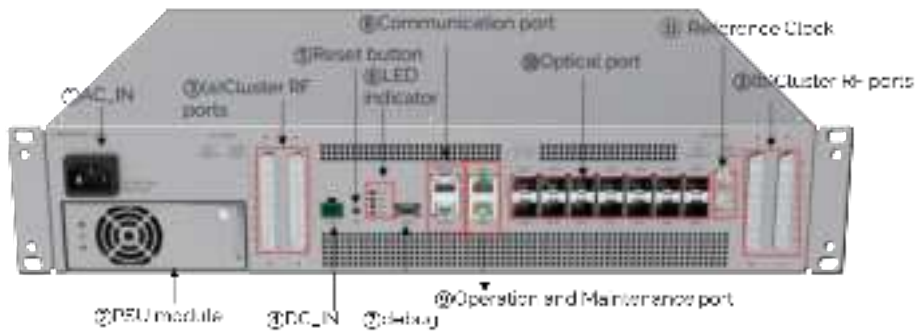


Figure 13. DCU Interface (front view)



Figure 14. DCU Interface (back view)

Table 5. DCU Interface Introduction

SN	Interface	Interface Type	Silk Screen	Description
1	AC_IN	US Type socket	AC IN 100V~240V, 3A, 50/60Hz	AC input connector with switch, 100~240V
2	PSU Module	PSU module x 1		PSU module with replaceable design
3(a)(b)	Cluster RF ports	Cluster RF ports x 4	IRFC1~4 SISO TX/RX 1~4 SISO TX/RX 5~8 MIMO TX/RX 1~4 MIMO TX/RX 5~8	IRFC: Integrated Radio Frequency Cluster There is a total of 4 cluster RF ports and each one has 8 radio ports. The operation frequency range of each radio port is listed in Table 6
4	DC_IN	Phoenix connector	DC_IN	48V DC input
5	Reset button	Button x 1	RST	Reset button for the system setup to factory config
6	LED indicator	LED x 4	PWR/ALM/RUN/PRI	Please check 'Appendix A' for LED definition
7	Debug	USB	USB	For internal debug purpose
8	Communication port	RJ45 x 2	COMM Port/RIU/PSU	Communication port for RIU and PSU
9	Operation and Maintenance port	RJ45 x 2	OMT OMC	1 for local monitor and config (OMT), 1 for remote monitor (OMC)
10	Optical port	SFP x 14	OP_A~OP_F (LOS A~F / SYNC A~F) OP1~OP8 (LOS 1~8 / SYNC 1~8)	24.3Gbps CPRI interface, connects to DEU (port 1~8) or cascade DCU (port A~F) Please check 'Appendix A' for Optical LED definition
11	Reference clock	QMA x 2	REF_IN REF_OUT	10MHz reference signal, input and output clock
12	GND	Two holes M4 x 2	GND	Connect to the ground

Table 6. Radio Spec of Cluster RF Port

DCU Input Port	Cluster RF Port Number	IBW	Frequency Range
SISO/MIMO TX/RX 1~2	4	300MHz	1710~4000MHz, TDD/FDD
SISO/MIMO TX/RX 3~4	4	300MHz	1710~4000MHz, TDD/FDD
SISO/MIMO TX/RX 5~6	4	200MHz	600~2700MHz, TDD/FDD
SISO/MIMO TX/RX 7~8	4	200MHz	600~2700MHz, TDD/FDD

1.4.3 DEU



Figure 15. DEU

Distributed Extension Unit (DEU) is the Hub and Distribution element of the system. The DEU interfaces between the DCU and remote units, enabling it to receive the operator’s service signals in CPRI format, and to deliver these signals to associated remote units. The DEU supports any mix of power levels, frequency bands and antenna configurations of digital remote units of the Corning® Everon™ 6000 G2 system. Each DEU includes 4 F/O CPRI ports connected to the DCUs or cascaded DEUs, and 24 F/O CPRI ports for connection to the remote units. When additional digital remote units are needed, the system can be easily scaled up by adding additional system elements. Main functionalities include:

- Channelization function: The DEU is the channel controller of the Everon 6000 G2 system. Table 7(Full TDD 2.5GHz + TDD 3.5GHz) and Table 8(Full FDD + TDD 2.5GHz) list the possible channel capacities of the DEU.
- CPRI signal distribution: The DEU transfers the dedicated signals to dedicated remote units.* DEU supports 10Gbps or 25Gbps line rate and various kinds of remote units. The line rates and remote units supported are listed in Table 9.
- Flexible network architecture: One DCU supports up to 16 DEUs* by star and/or daisy chain connections, which meets flexible site deployment requirements. The DEU connection topology is shown in Figure 16.
- The DEU manages all connected digital remote units which can be monitored and controlled by the user via SNMP.

Figure 17 shows the DEU interfaces. Table 10 lists the interfaces’ description.

*Notes: Please check the software release note for the DEU signal distribution features and its supporting range of remote units.

Table 7. Carrier Config Option 1. Full FDD band + TDD 3.5GHz band

Band	Maximum Carrier Number (2T2R)				Maximum Total Carrier Number	Maximum Total BW
	10/20MHz	30/40/50MHz	60/80/100MHz	150/200MHz		
2.5GHz: dLRU-25/dMRU-2325/dMRU-25/dHRU-25	3	2	2	0	5	190MHz
3.5G-A: dLRU-35/dMRU-35/dHRU-35 (3450~3700MHz)	8	3	3	1	8	250MHz
3.5G-B: dLRU-35/dMRU-35/dHRU-35 (3700~3980MHz)	8	3	3	1	8	280MHz

Table 8. Carrier Config Option 2. Full FDD band + TDD 2.5GHz band

Type	Band	Maximum Carrier Number (2T2R)			Maximum Total Carrier Number	Maximum Total BW
		5/10MHz	15/20MHz	40/60/80/100MHz		
dMRU –678	600M	3	1	0	12	35MHz
dLRU-678	700L+700U	4	1	0		40MHz
	850M	3	1	0		32MHz
dMRU –1921	PCS	4	4	0	14 (Each sub-band ≤8)	90MHz
dLRU-17192325	EAWS	4	4	0		90MHz
dMRU-2325	WCS	1	0	0	6	10MHz
dLRU-17192325	2500M	0	3	2		194MHz

Table 9. DEU Line Rate Application

DEU Line Rate	Remote Unit Type
10Gbps	dLRU-G2-678/dLRU-G2-17192125/dHRU-G2-6/ dHRU-G2-7/ dHRU-G2-85/ dHRU-G2-17/ dHRU-G2-19/ dHRU-G2-23
25Gbps	dLRU-G2-25/dLRU-G2-35/dMRU-G2-678/dMRU-G2-1719/ dMRU-G2-2325/dMRU-G2-25/dMRU-G2-35/dHRU-G2-25/dHRU-G2-35

1. DEU supports flexible network architecture of 4 level daisy chain connections as shown in Figure 16.



Figure 16. DEU Daisy Chain Connection

*Note: Please check the software release note for the DEU cascading features and limitation of each software version.

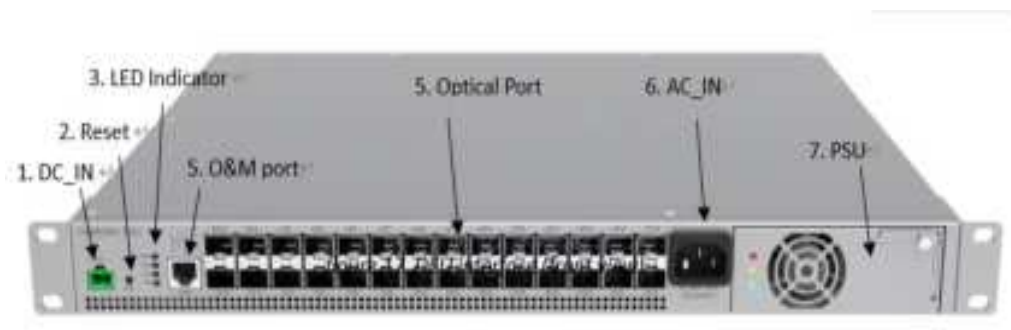




Figure 17. DEU Interface (front and back view)

Table 10. DEU Interface Introduction

NO.	Interface	Interface Type	Silk Screen	Description
1	DC_IN	Phoenix connector	DC_IN	48V DC input
2	Reset Button	Button x 1	RST	Reset button for the system reset to factory config
3	LED Indicator	LED x 4	PWR RUN ALM 25G	ALM/RUN/PWR: Indicates the DEU working mode and alarm status 25G: Indicates the DEU is running in 24.3Gbps line rate
4	Operation and Maintenance Port	RJ45 x 1	OMT	Ethernet connection for a local setup session
5	Optical Port	SFP x 28	OP_A~OP_D OP1~OP24	24 ports (1~24) for RU connection, 10.1Gbps/24.3Gbps CPRI interface 2 ports (A~B) for upper unit connection, 2 ports (C~D) for lower unit cascade, 24.3Gbps CPRI interface
6	AC_IN	US Type socket + Switch x 1	AC IN 100V~240V, 3A,50/60Hz	AC input connector, Max current 3A, 100~240V
7	PSU Module	PSU module x 1	POWER MODULE	PSU module with easy assembly installation design
8	GND	Two holes M4 x 2	GND	Connect to the ground

1.4.4 Remote Units

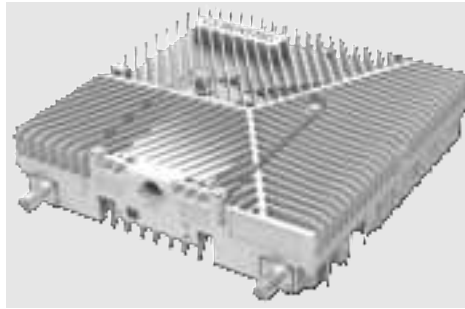


Figure 18. dLRU Image



Figure 19. dMRU Image



Figure 20. dHRU Image

The Remote Unit (RU) is the radio coverage unit located at the end of the DAS system. The Remote Unit interfaces between DEU and the UE (User Equipment), enabling it to receive the operator service signals in CPRI format, transfer to RF signal and send to UE. Corning digital remote antenna units includes 2 power level types: dLRU/dMRU. Power levels vary from 20dBm to 40dBm to meet different coverage scenarios. The major functionalities include:

- Digital and analog signal transfer: The RU transfers digital and analog signal between DEU and antenna port. The DU supports up to 530 IBW signal in C-band with its powerful transceiver.
- Multi-band signal process: The RU supports multiple band signal of the single unit. One dLRU supports up to 4 bands, one dMRU supports up to 2 bands.
- Channel control function: The RU configures all emission channels including power level, ON/OFF status and working mode (UL/DL/TDD).
- Control and management function: The RU can be remotely upgraded and monitored. All of the RU's parameters including the alarm, device status, and emission power are all transferred to the DEU via CPRI lines in optical ports.

Table 11 shows RU band, CPRI line rate, and optical port number.

The dLRU interfaces and the description are shown in Figure 22 and G2 (2 Fibers) capacity is 2x2 MIMO, total RF BW is 325MHz, which is greater than G1 (3 Fibers). For saving power consumption, port 3 is blocked and disabled.

Table 12.

Table 11. RU Band, CPRI, Optical port list

RU Type	RU	Operation band	CPRI Line Rate	Optical Fiber Number	RU Optical port
dLRU	dLRU-G2-678	600 700L 700U FirstNet 800/850MHz	10Gbps	1	1
	dLRU-G2-17192325	1900(PCS) 2100(EAWS) 2300(WCS) 2500 TDD	10Gbps	2	3
	dLRU-G2-25	2500 TDD	25Gbps	1	2
	dLRU-G2-35	3500 TDD	25Gbps	2	2
dMRU	dMRU-G2-678	600 700L 700U FirstNet 800/850MHz	25Gbps	1	2
	dMRU-G2-1921	1900(PCS) 2100(EAWS)	25Gbps	1	2
	dMRU-G2-2325	2300(WCS) 2500 TDD	25Gbps	1	2
	dMRU-G2-25	2500 TDD	25Gbps	1	2
	dMRU-G2-35	3500 TDD	25Gbps	2	2
dHRU	dHRU-G2-6	600	10Gbps	1	1
	dHRU-G2-7	700L 700U FirstNet	10Gbps	1	1
	dHRU-G2-85	800/850MHz	10Gbps	1	1
	dHRU-G2-17	2100(EAWS)	10Gbps	1	1
	dHRU-G2-19	1900(PCS)	10Gbps	1	1
	dHRU-G2-23	2300(WCS)	10Gbps	1	1

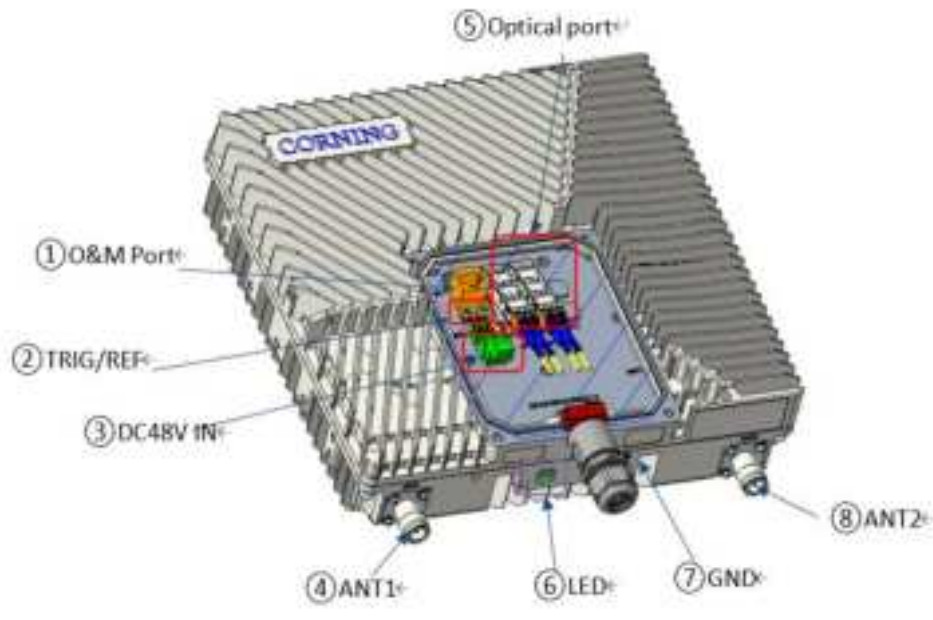


Figure 21. dLRU-G2-678

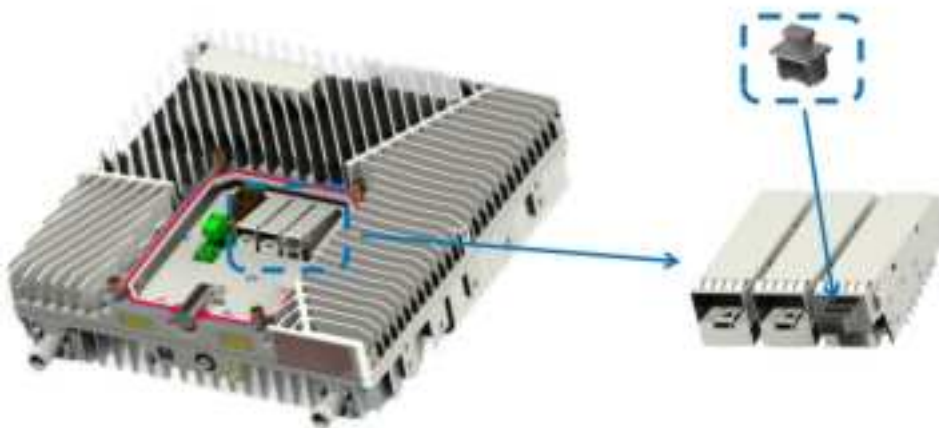


Figure 22. dLRU-G2-17192325 Interface Image

Note: RU has 3 optical ports. G2 (2 Fibers) capacity is 2x2 MIMO, total RF BW is 325MHz, which is greater than G1 (3 Fibers). For saving power consumption, port 3 is blocked and disabled.

Table 12. dLRU Interface Introduction

NO.	Item	Interface Type	Silk Screen	Description
1	Operation and Maintenance Port	RJ45	OMT	Ethernet connection for the local setup
2	TRIG/REF	MCX interface	TRIG/REF	Synchronous trigger signal, used for device test
3	DC48V IN	Power input port	DC48V IN	Power input port, voltage input range 38V~58V, PWR1 and PWR2 will be combined inside the device before supplying power to the device
4/8	ANT	4.3-10 interface	ANT1 ANT2	RF input and output, used for external antenna connection
5	Optical Port	SFP optical port	OP1/OP2	24.3/9.8Gbps CPRI interface for DEU connection
6	Status	LED indicator	STAT	Indicating the operation status of the equipment
7	GND	GND interface		Used for grounding the chassis and the earth, single hole



Figure 23. dLRU Interfaces

Table 13. dMRU Interface Introduction

NO.	Item	Interface Type	Silk Screen	Description
1	ANT	4.3-10 interface	ANT1	RF input and output, used for external antenna connection
			ANT2	
2	Couple port	SMA	Couple 2	RF couple port, used for signal test and debug
3	Optical port	SFP optical port	OP1/OP2	24.3Gbps CPRI interface for DEU connection
4	Operation and Maintenance port	RJ45	OMT	Ethernet connection for the local setup
5	LED	LED indicator	STAT	The operation status of the equipment
6	AC IN	Power input port	AC IN	Power input port, voltage input range 100V~240V, 3A

Table 14. Gain Setting Guide

RIU						
Mode	RIU input			RIU Gain		
RIU high gain mode switch	RIU Max input power(damaged)	RIU Max input power(performance)	RIU input power range	RIU fixed Gain (DL_ATT=0dB)	RIU DL_ATT range	RIU total gain = RIU fixed Gain - RIU DL_ATT
ON	23dBm	12dBm	-15 ~ +12 dBm	-7dB	0~25dB	= -7dB - RIU DL_ATT
OFF	40dBm	37dBm	+11 ~ +37dBm	-30dB	0~25dB	= -30dB - RIU DL_ATT

DCU		dxRU
DCU high gain mode switch	Recommend DCU input power (AGC average THR)	Recommend DCU input power corresponding dxRU baseband power
ON	-19dBm	-14dBfs
OFF	-7dBm	-14dBfs

Note: dxRU refers to all dLRU, dMRU, dLRU-L, dLRU-M, dMRU-FDD

DCU								
Mode	DCU input					DCU Gain		
DCU high gain mode switch	DCU Max input power(damaged)	DCU max input power (performance)	DCU input power range by performance	Recommend DCU input power (AGC average THR)	Recommend DCU input power corresponding dxRU baseband power	DCU fixed Gain (DL_ATT=0dB)	DCU DL_ATT range	DCU total gain = DCU fixed Gain - DCU DL_ATT
ON	-2dBm	-12dBm	-40 ~ -12 dBm	-19dBm	-14dBfs	12dB	0~20dB	= 12dB - DCU DL_ATT
OFF	+10dBm	0dBm	-40 ~ 0 dBm	-7dBm	-14dBfs	0dB	0~20dB	= 0dB -DCU DL_ATT

Input	Config and result								
Base station	RIU				DCU			dxRU	
Base station input power to RIU(PwrB)	RIU high gain mode switch	RIU DL_ATT (manual)	RIU gain	RIU output to dcu	DCU input power	DCU high gain mode switch	DCU DL_ATT (AGC auto control)	corresponding dxRU baseband power	dLRU output power
37dBm	OFF	14	-30-(14) =-44dB	-7	-7	OFF	0 dB	-14dBfs	Rated power
23~37dBm	OFF	(PwrB-23)	-30dB-RIU DL_ATT	-7	-7	OFF	0dB	-14dBfs	Rated power
23dBm	OFF	0	-30dB	-7	-7	OFF	0dB	-14dBfs	Rated power
12~23dBm	OFF	0	-30dB	PwrB - 30	PwrB - 30	ON	PwrB – 30- (- 19) = PwrB-11	-14dBfs	Rated power
12dBm	OFF	0	-30dB	-18dBm	-18dBm	ON	1dB	-14dBfs	Rated power
11dBm	ON	11dB	-7dB-11dB =-18dB	-7dBm	-7dBm	OFF	0dB	-14dBfs	Rated power
0-11dBm	ON	PwrB	-7dB- PwrB	-7dBm	-7dBm	OFF	0dB	-14dBfs	Rated power
0 dBm	ON	0	-7dB	-7dBm	-7dBm	OFF	0dB	-14dBfs	Rated power
-12 dBm ~0 dBm	ON	0	-7dB	-7 dBm + PwrB	-7+ PwrB	ON	-7+ PwrB- (-19) =12+PwrB	-14dBfs	Rated power
-12 dBm	ON	0	-7dB	-7 dBm + -12=- 19 dBm	-7+ -12=- 19 dBm	ON	-7-12(- 19) =0	-14dBfs	Rated power
-12 dBm ~-15 dBm	ON	0	-7dB	-7+ PwrB	-7+ PwrB	ON	0dB	=-14dBfs-(-12- PwrB)	Rated power-(- 12- PwrB)
-15 dBm	ON	0	-7dB	-22dBm	-22dBm	ON	0dB	=-14dBfs-(-12- (-15))=-17dBfs	Rated power- 3dB

2. System Installation

This chapter provides installation instructions for the system units. Refer to the specific elements required in your deployment:

- Headend, see 2.1
- Remote Units Installation:
 - dLRU, see 2.5.
 - dMRU, see 2.6.

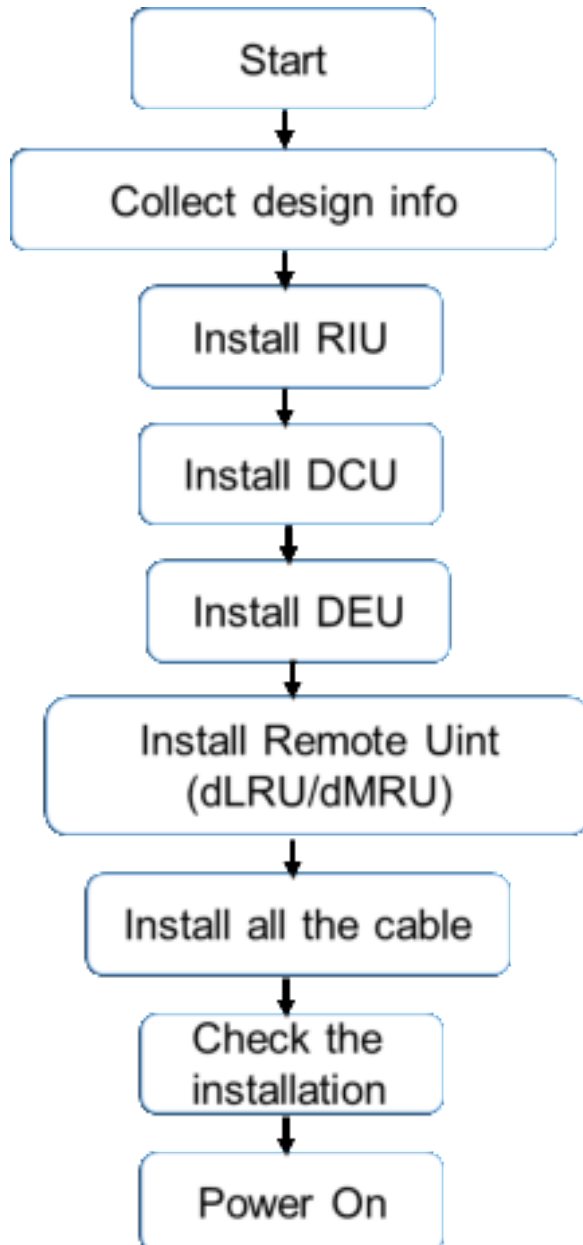


Figure 25. The Installation Process

2.1 Headend Units – Architecture Example

Example: 2X2 MIMO, 1 Operator

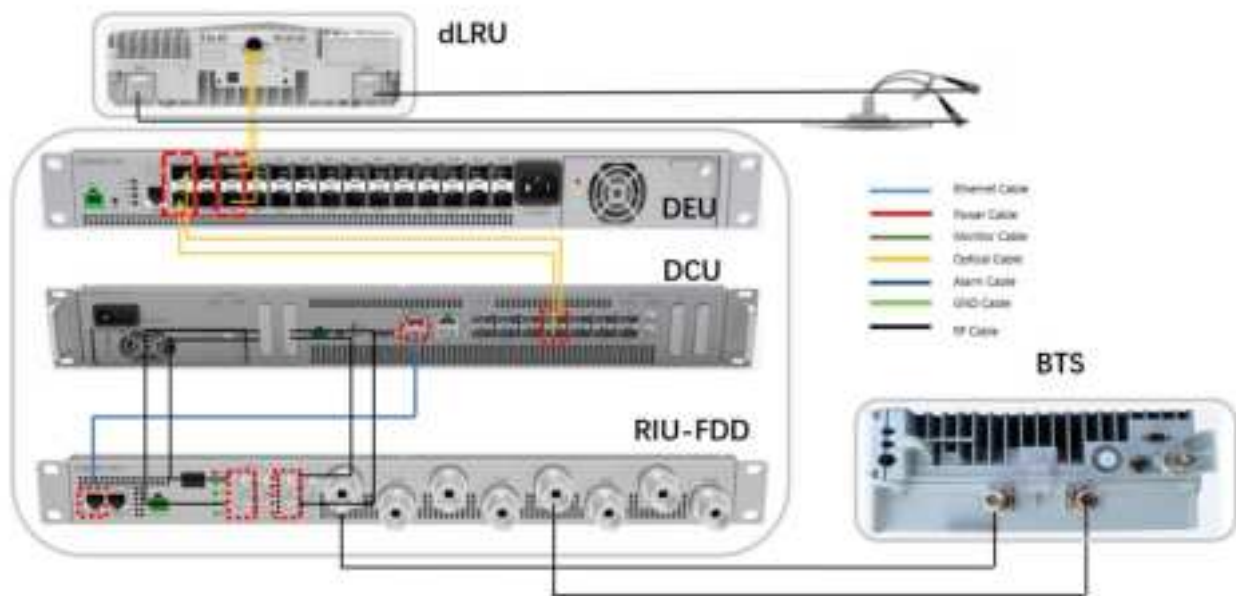


Figure 26. dLRU-FDD Architecture Image

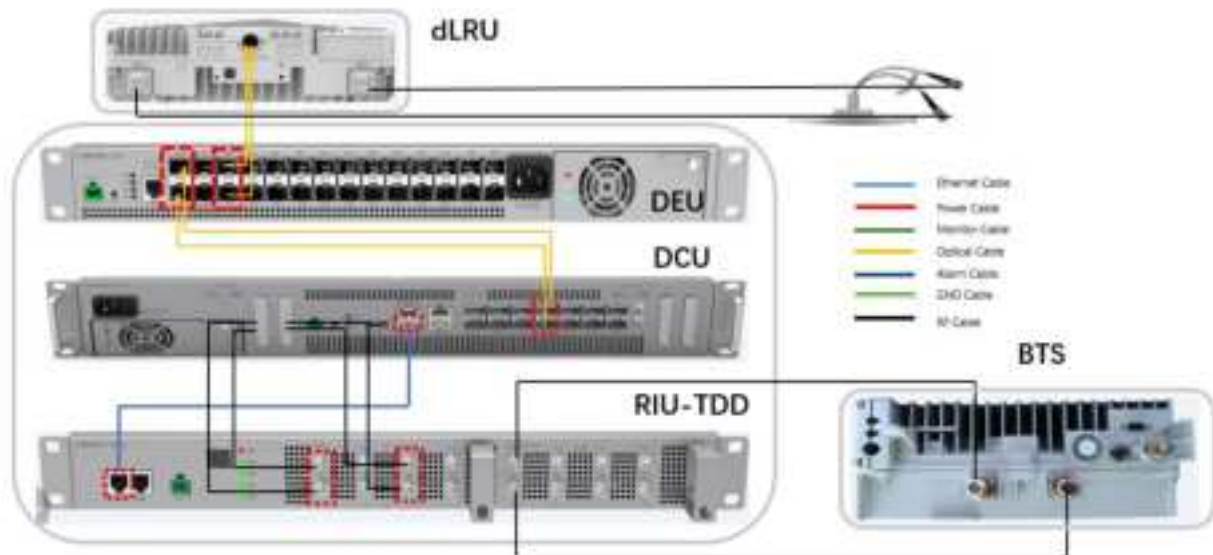


Figure 27. dLRU-TDD Architecture Image

2.2 RIU Installation

➤ Example of system connection

See 2.1 example: 2x2 MIMO

Contact the site designer for cable connection topology of the system.

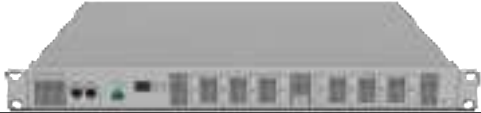





➤ To install the RIU, follow these steps:

1. Verify the box contents, see 2.2.1
2. Mount the RIU, see 2.2.2
3. Connect the RIU cable, see 2.2.3

2.2.1 Verify Box Contents

Open the package and verify that all items in Table 15 are available.

Table 15. RIU Package Items List

Item	Quantity	Image	Part Number
HARDWARE – provided in the box			
RIU Unit	1		RIU-TDD
			RIU-FDD
Ethernet Communication Cable	1		Connected to the DCU or RIU of next slave device
DC Power Adapter	1		
HARDWARE – not provided			
4 screws #8 or 4 mm (For attachment to rack)	4		
SOFTWARE			
NA			
Required TOOLS			
Cross Screwdriver	1		

2.2.2 Mount the RIU

Place the RIU horizontally in the 19-inch rack, align the four holes on the lugs on both sides of the equipment with the nuts, install the M6 screws and fasten them.

Note: RIU-FDD installation is the same as RIU-TDD installation

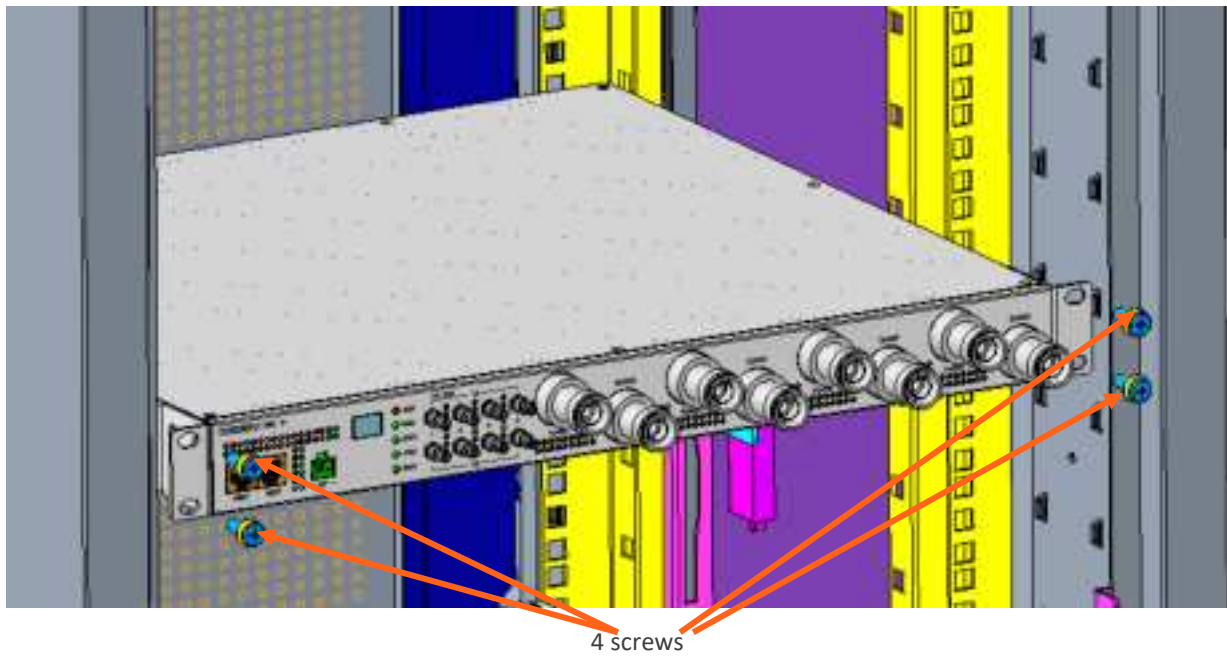
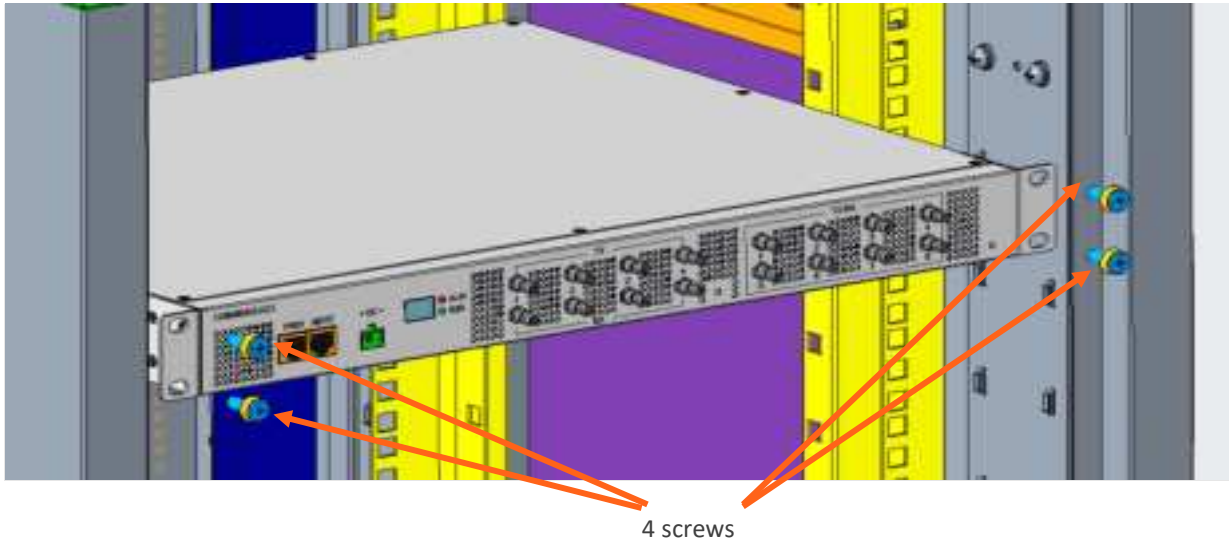


Figure 28. RIU Rack Installation

- 1) Connect the RF cables on the chassis with M3 screws and sort out the RF cables.

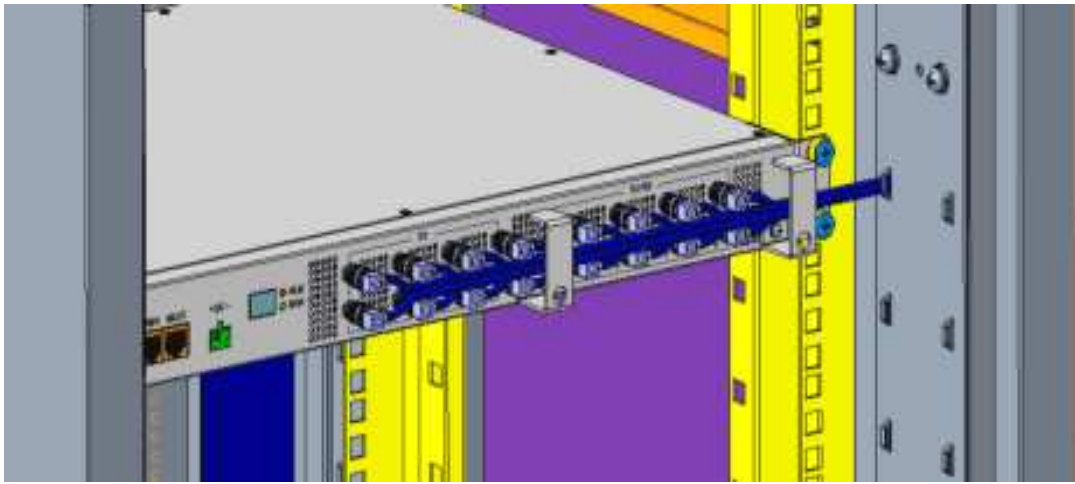


Figure 29. RIU Rack Installation with Cables

2.2.3 RIU Cable Connection

Connect the external cable as shown in the following diagram.

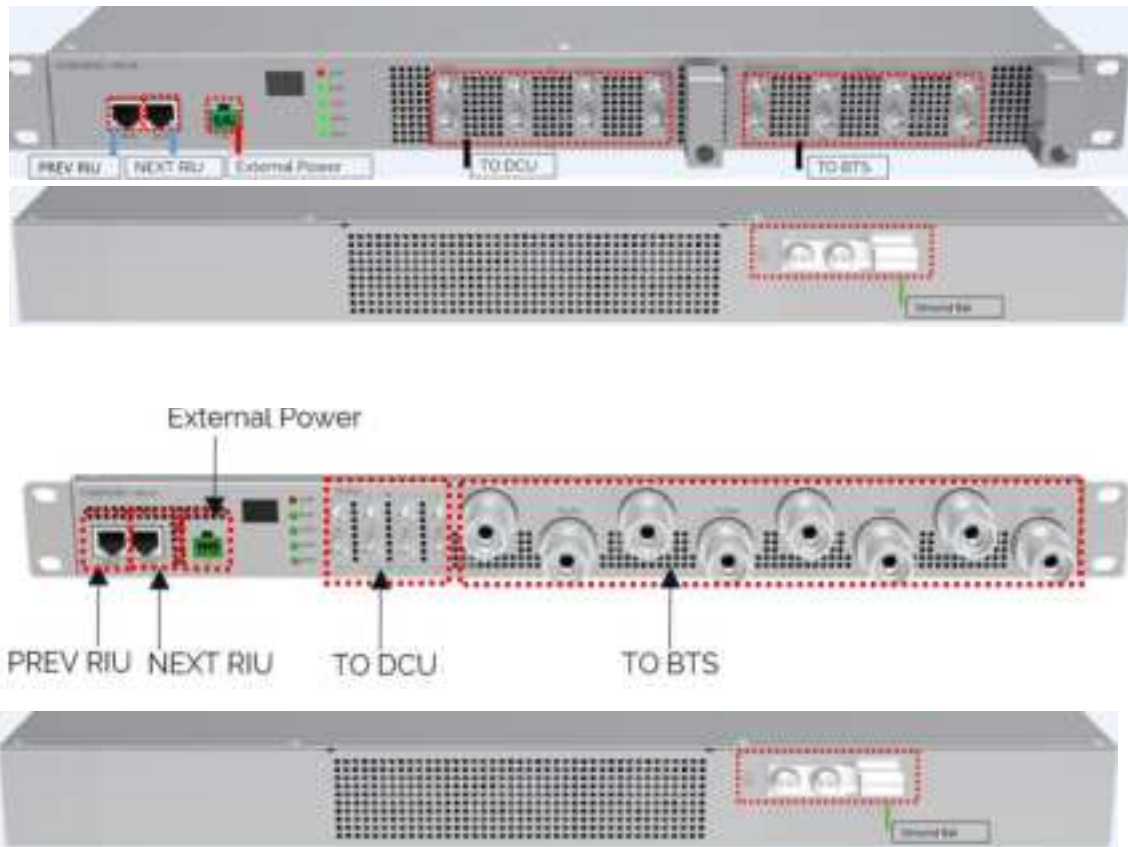


Figure 31. RIU-FDD Cable Connection

Cable List for RIU				
Cable	One End		The Other End	
	Connector	Connected to...	Connector	Connected to...
GND cable	OT terminal (M4)	Ground screw on the RIU	OT terminal (M4)	Ground terminal on the external ground bar
DC power cable (indoor)	Phoenix connector	DC power input socket on the RIU	2-pin plug	External power input socket
RF cable	QMA connector	Simplex radio connectors	Cluster RF connector	DCU
	4.3-10/QMA connector	Duplexer radio connectors	Required for BTS	BTS
Ethernet communication cable	Communication port (RJ45 x 2)	PREV: Upper cascading port to DCU or upper level RIU NEXT: Lower cascade port to other RIU	Communication port (RJ45 x 2)	RIU/DCU

2.3 DCU Installation

➤ **Example of system connection**

See 2.1 for the installation example (2x2 MIMO).

➤ **Follow these steps to install the DCU:**

1. Verify the box contents, see 2.3.1
2. Mount the DCU, see 2.3.2
3. Connect the DCU cable, see 2.3

2.3.1 Verify Box Contents

Open the package and verify that all the items in *Table 16* are available:

Table 16. DCU Package Items List

Item	Quantity	Image	Part Number
HARDWARE – provided in the box			
DCU Unit	1		
Ethernet Communication Cable	1		
DC Power Adapter	1		
HARDWARE – not provided			
4 Screws #8 or 4 mm (for attachment to ceiling)	4		
SFP+ Pluggable transceivers (hot-pluggable optical transceiver module) Support 24.3Gbps line rate, single-mode	1		
Optical cables Up to 10 km LC/UPC SM DX	1~14		
SOFTWARE			
NA			
Required Tools			
Cross Screwdriver	1		

2.3.2 Mount the DCU

Step 1: Take the DCU out of the package.



Figure 32. DCU Image

Step 2: Put the DCU horizontally into the rack, tighten the M6 screws as shown below, and the installation is completed.



Figure 33. Installation Diagram of DCU in the Rack

Step 3: Plug in the RF cable plug (RF cable not shown in the below).



Figure 34. DCU RF Cable Plug Installation

2.3.3 DCU Cable Connection



Figure 35. DCU Cable Connection

Cable List of Dual DCU				
Cable	One End		The Other End	
	Connector	Connected to...	Connector	Connected to...
GND cable	OT terminal (M4)	Ground screw on the RIU	OT terminal (M4)	Ground terminal on the external grounding bar
DC power cable (indoor)	Phoenix connector	DC power input socket on the RIU	2-pin plug	External power input socket
AC power cable (indoor)	US Type socket + Switch x 1	AC IN	Depending on power device	External power device
		100V~240V, 1.3A-0.6A,50/60Hz	(100V-240V,50Hz/60Hz)	(100V-240V,50Hz/60Hz)
RF Cable	Cluster RF connector	IRFC1~8	QMA Connector	RIU
		SISO TX/RX 1~4		
		SISO TX/RX 5~8		
		MIMO TX/RX 1~4		
		MIMO TX/RX 5~8		







2.4 DEU Installation

- **Example of system connection**
See 2.1 for the installation example (2x2 MIMO).
- **To install the HEU, follow these steps:**
 - Verify the box contents, see 2.4.1
 - Mount the DEU, see 2.4.2
 - Connect the DEU cable, see 2.4.3

2.4.1 Verify Box Contents

1. Open the package and verify that all items in Table 17 are available:

Table 17. DEU Package Items List

Item	Quantity	Image	Part Number
HARDWARE – provided in the box			
DEU Unit	1		DEU-10G DEU-25G
DC Power Adapter			
HARDWARE – not provided			
4 Screws #8 or 4 mm (for attachment to ceiling)	4		
SFP+ Pluggable transceivers (hot-pluggable optical transceiver module) Support for 24.3Gbps line rate, single-mode	1		
Optical cables Up to 10 km LC/UPC SM DX			
SOFTWARE			
NA			
TOOLS Required			
Cross Screwdriver			

2.4.2 Mount the DEU

1. Take the DEU out of the package.



Figure 36. Rack Installation – Step 1

2. Mount the DEU in the rack with 4 pcs of M6 screws.



Figure 37. Rack Installation - Step 2

3. Install the DEU in the rack.



Figure 38. Rack Installation - Step 3

2.4.3 DEU Cable Connection

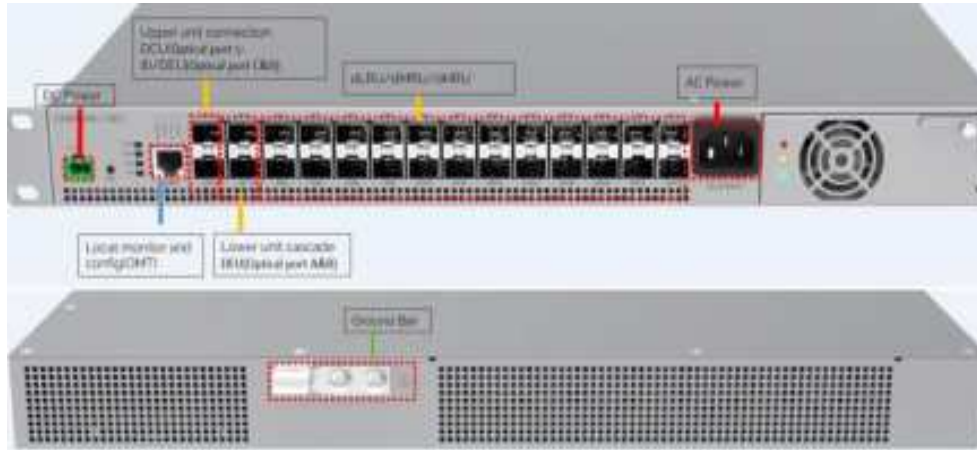


Figure 39. DEU Cable Connection




Cable List of Dual DEUs				
Cable	One End		The Other End	
	Connector	Connected to...	Connector	Connected to...
GND cable	OT terminal (M4)	Ground screw on the RIU	OT terminal (M4)	Ground terminal on the external bar
AC power cable (indoor)	US Type socket + Switch x 1	AC IN	Depending on power device	AC Power device
		100V~240V, 1.3A-0.6A,50Hz/60Hz	(100V-240V,50Hz/60Hz)	(100V-240V,50Hz/60Hz)
Fiber Cable	Optical port	Optical module	Optical port	dLRU/dMRU or DEU
				DCU or DEU

2.5 dLRU Installation

2.5.1 Verify box Contents

1. Open the package and verify that all items in Table 18 are available:

Table 18. dLRU Package Items List

NO.	Description	Model	Image	Quantity
1	dLRU-M/L/3.5 Unit	dLRU unit		1
2		Wall-mounting bracket (may also be used for pole)		1
3		Left side brackets for dual-unit configuration		1
4		Right side brackets for dual-unit configuration		1
5		Hinge		1
6		Combiner – for dual unit configuration		1
7		RF jumper cables		1
8		DC power adapter		1

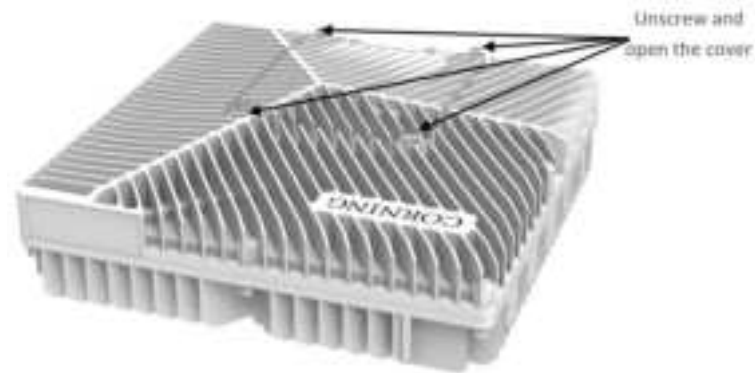
2.5.2 Mount the dLRU

The LRU may be mounted on a wall or on a pole: single or dual.

Select the configuration related to your deployment.

**Note: For dual unit installations, the internal cable must be connected before connected between the units.*

1. Open the cover by unscrewing 4 screws



2. Connect the DC wire pair (48V) to any one of the two power connectors, via the DC power adapter (terminal block connector)
3. Remove the rubber stopper from the SFP+ connector located in the dLRU cable port. Connect the SFP+ LC/UPC SM DX optic cable to the dLRU optic connector.

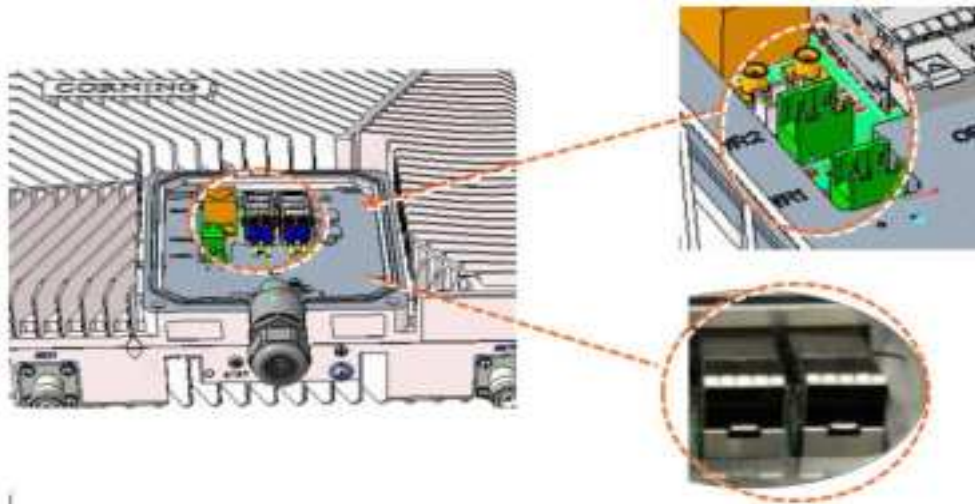


Figure 40. Power Socket/optical ports in dLRU

2.5.2.1 Wall Installation

- For a single unit

1) Connect the bracket to the wall with 4 screws, as shown in the Figure below:

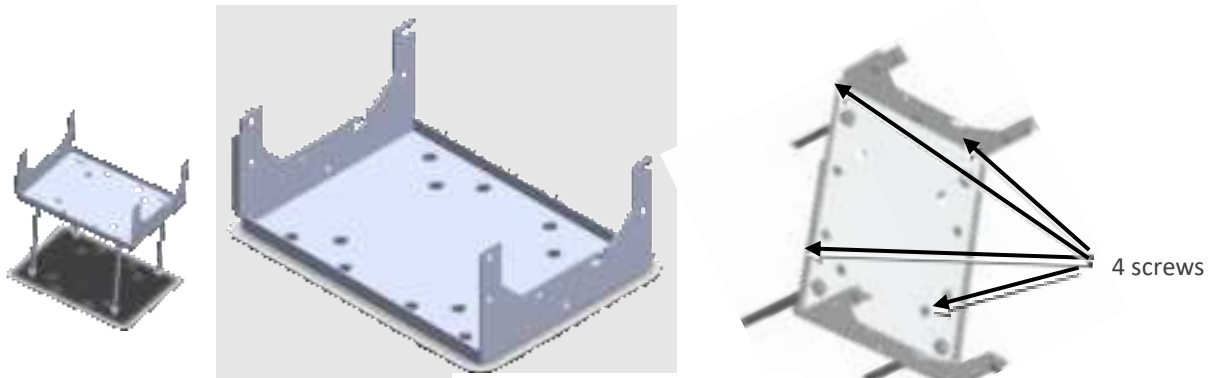


Figure 41. 4 Screws

2) Mount the LRU on the bracket with 4 screws.

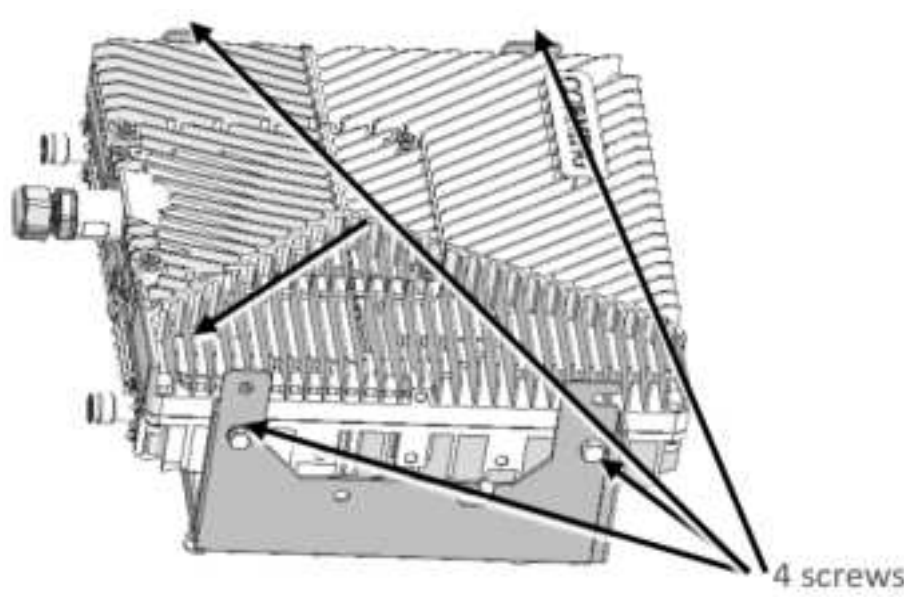


Figure 42. 4 Screws

- For a dual unit:

1) Connect the combiner to the mounting bracket with 4 screws.

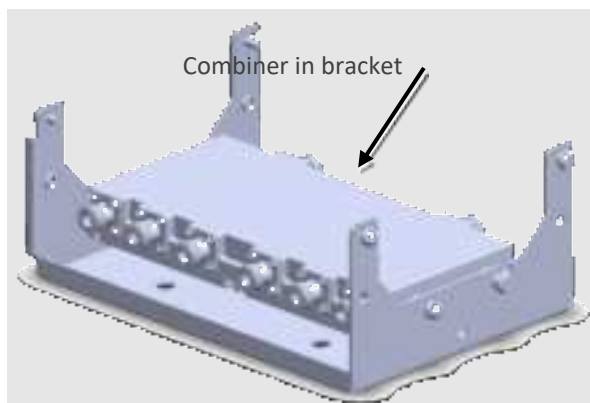


Figure 43. Combiner in the Bracket

- 2) Connect between the low-band and mid-band units with the side bracket:

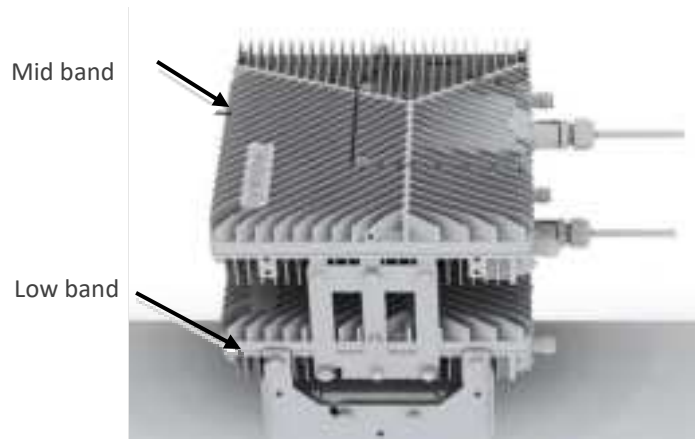


Figure 44. Combiner in the Bracket

**Note: Ensure that the low-band device is connected at the bottom, and the mid-band at the top.*
Connect between the two devices and the bracket (already carrying the combiner) with 4 screws.

2.5.2.2 Ceiling Installation

▪ Single unit ceiling installation

**Note: The ceiling needs to be cement board or hardwood board which enables it to bear the weight of 18 pounds.*

The installation is shown in Figure 45.

- 1) Drill holes on the ceiling at a distance of 200 mm*160 mm according to the size of the mounting holes of bracket, then drive the expansion bolts into the holes, install the mounting bracket, pad gaskets, and lock the nuts.
- 2) Tighten the M6 bracket screws on the left and right sides of the upper part of the dLRU, and then hang the device on the mounting bracket.
- 3) Lock the device on the mounting frame with M6 combination screws, as shown below

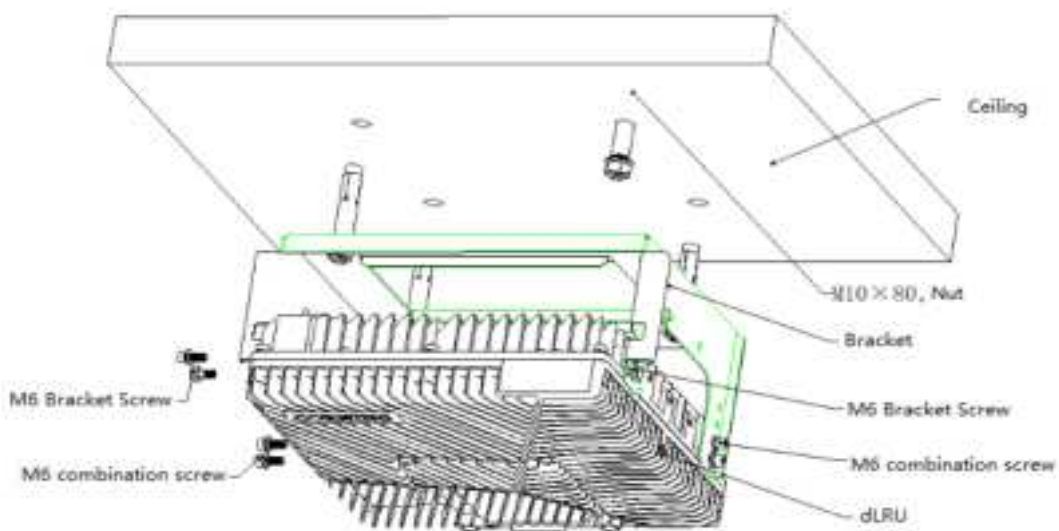


Figure 45. Single Unit Ceiling Installation

▪ **Dual unit combined ceiling installation**

If the application scenario requires the use of low frequency and intermediate frequency devices, it is suggested to use the cascading installation.

**Note: The ceiling needs to be cement board or hardwood board which enables it to bear the weight of 45 pounds.*

The installation steps are as follows:

- 1) Assembly of right bracket and hinge

The installation of the right bracket and hinge is shown in Figure 46.

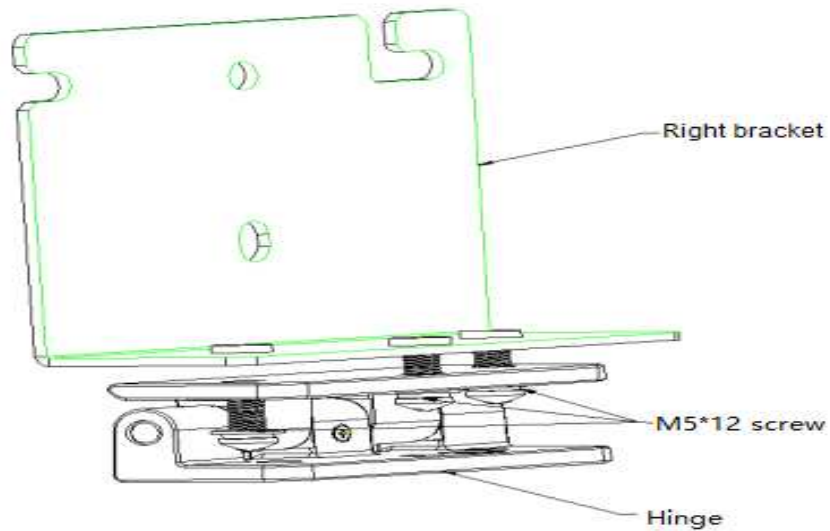


Figure 46. Right Bracket and Hinge Installation

- 2) Assembly of left bracket, right bracket, and equipment, as shown in Figure 47.

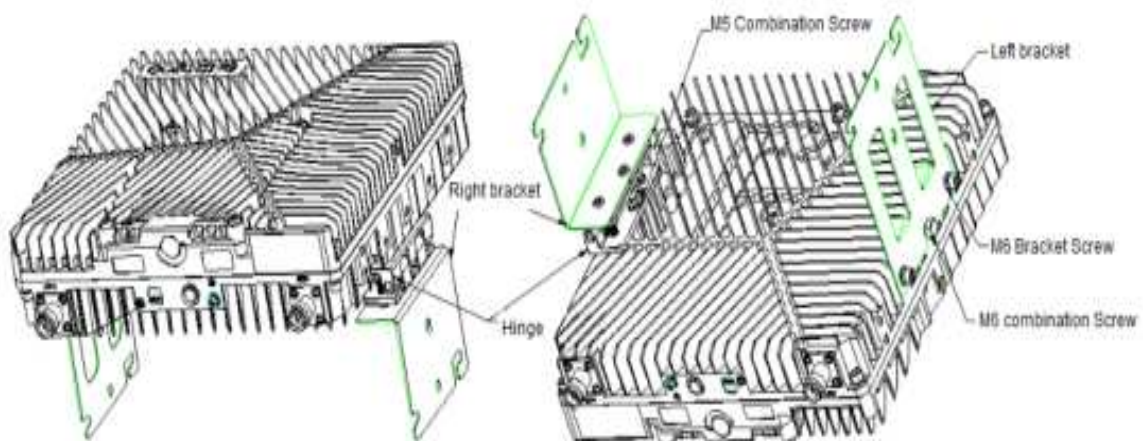


Figure 47. Installation of the Left and Right Brackets and Device Bracket

- 3) Bracket installation:

Drill holes on the ceiling at a distance of 200 mm*160 mm according to the size of the mounting holes of bracket, then drive the expansion bolts into the holes, install the mounting bracket, pad gaskets, and lock nuts, as shown in Figure 48.

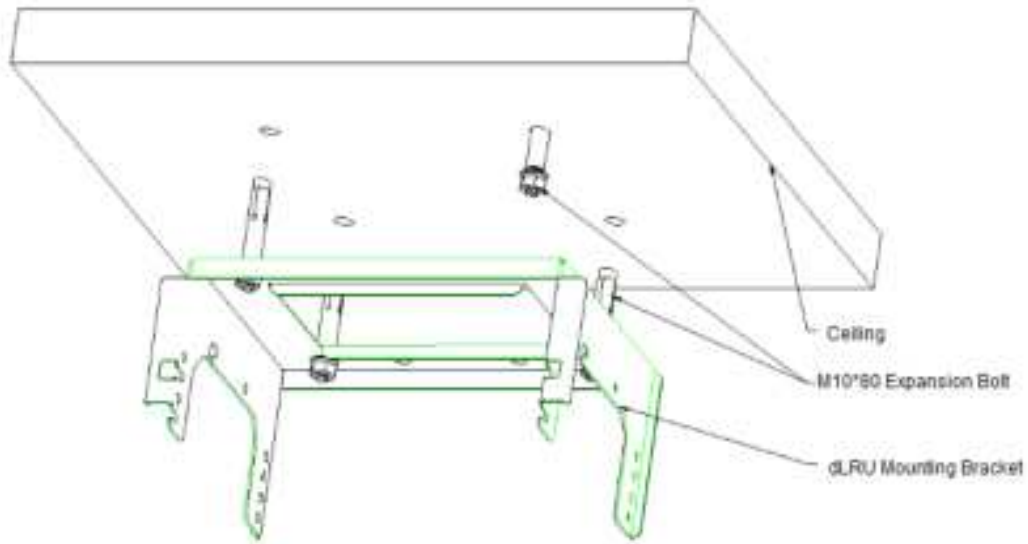


Figure 48. Mounting Bracket Installation Diagram

4) Combiner Installation:

Tighten the M6 bracket screws in advance in the left and right screw holes on the upper side of the combiner (the upper side with two RF outlets). Then hang it in the mounting bracket as shown in Figure 49 and fasten it with M6×15 pentagonal combination screws.

**Note: If the device is installed outdoors, please connect the RF jumper cable before installing the combiner and take waterproof measures for the connector in advance.*

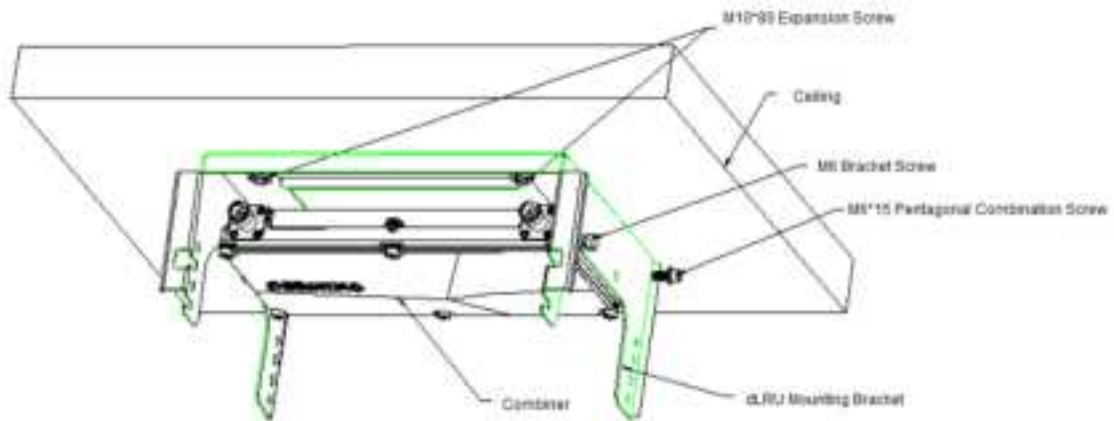


Figure 49. Combiner Installation Diagram

▪ **Low-Band dLRU installation**

Tighten the M6 bracket screws on the left and right sides of the upper part of the dLRU, and then hang the device on the mounting bracket..

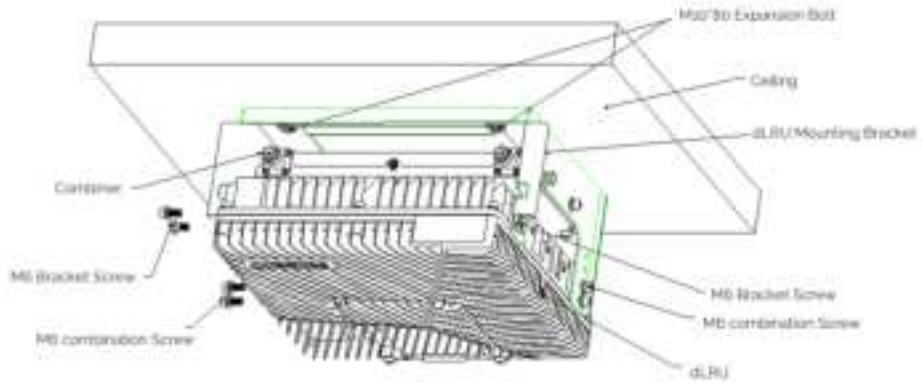


Figure 50. Low-Band dLRU Installation

- **Hang the combination**

Hang the combination of the left and right brackets with four M6 bracket screws, and then use M6×15 pentagonal combination screws to fasten the second dLRU.

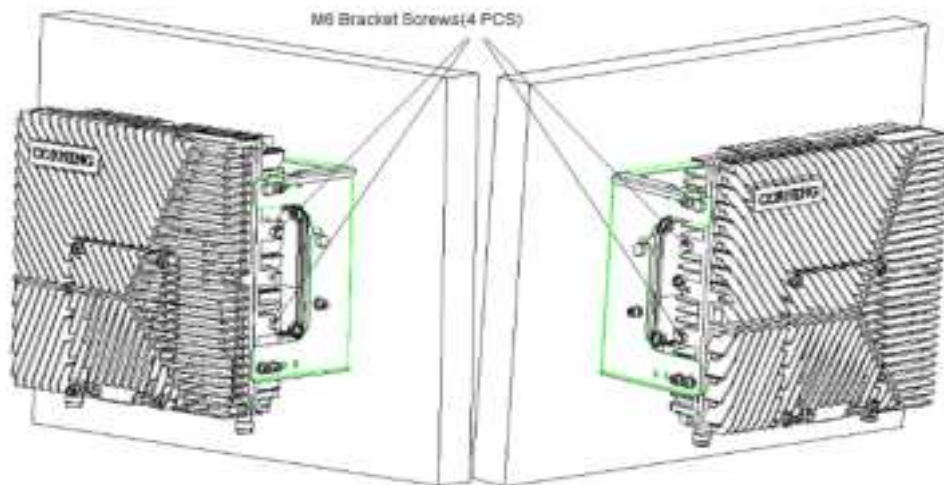


Figure 51. M6 Bracket Screw Holes

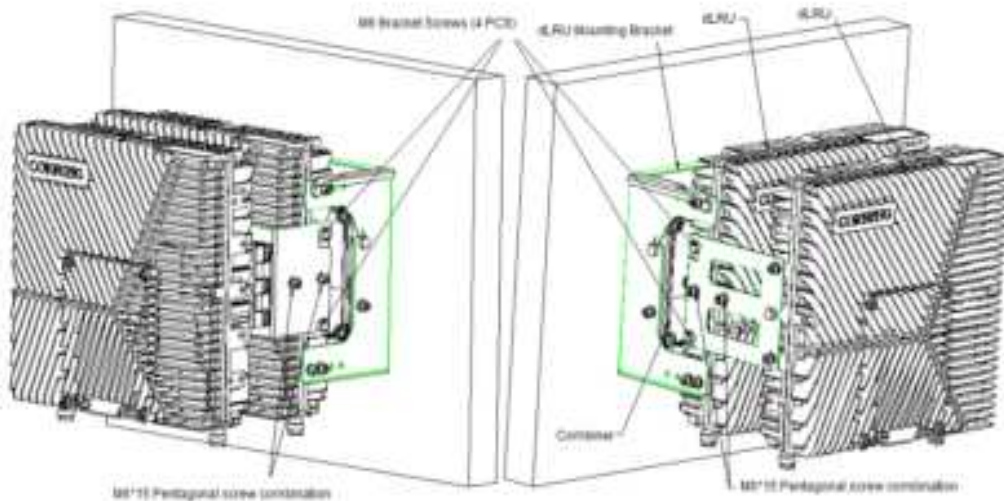


Figure 52. dLRU Installation Diagram

2.5.2.3 Pole Installation

➤ Single unit pole installation

The pole-mounting installation of all devices is the same as the wall-mounting installation above, except that the equipment is installed on a pole. As shown in Figure 53, M10 bolts, M10 nuts, elastic flat washers, and pole mounting brackets are required. They can be installed on poles from $\phi 65$ mm to $\phi 140$ mm depending on the length of the M10 bolts selected (the recommended length is 12 cm and 20 cm).

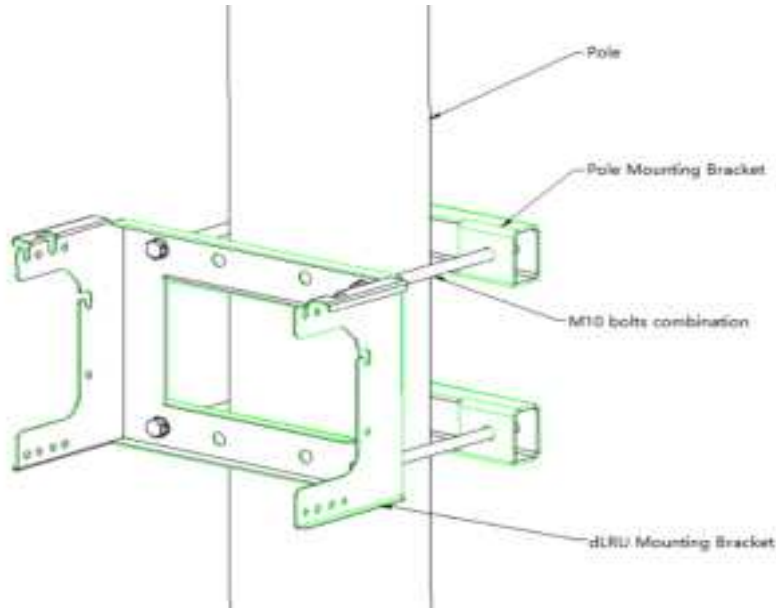


Figure 53. Pole-Mounting Diagram

Tighten the M6 mounting screws on the left and right sides of the upper part of the device, then hang the device on the corresponding positions of the dLRU mounting bracket, and finally tighten the M6 combination screws as shown in Figure 54.

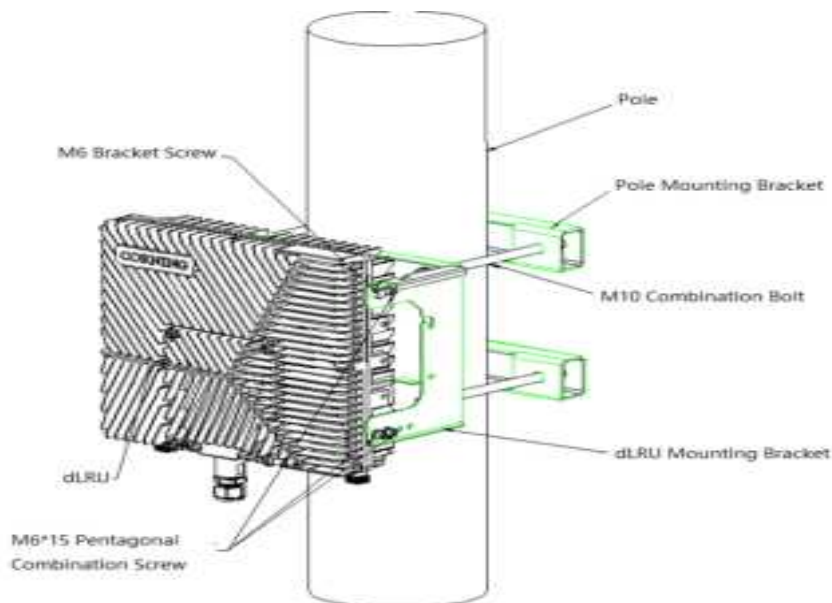


Figure 54. Diagram of Pole Installation for Single Unit

➤ **Dual unit pole installation**

Before installing the bottom device, please install the combiner first. Put the M6 bracket screws on the left and right sides of the combiner, and then hang the combiner on the mounting bracket. Finally, tighten the M6×15 pentagonal combination screws, as shown in the Figure below.

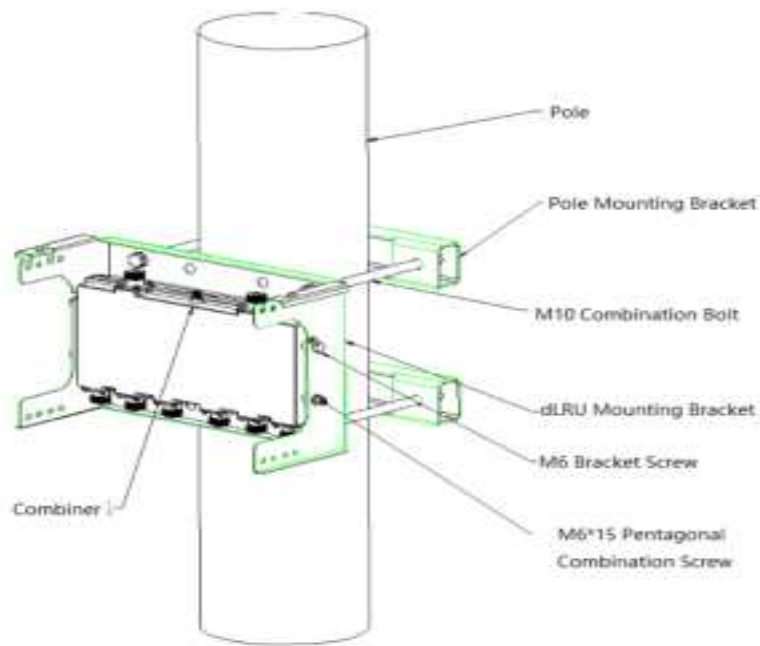


Figure 55. Installation Diagram of the Combiner

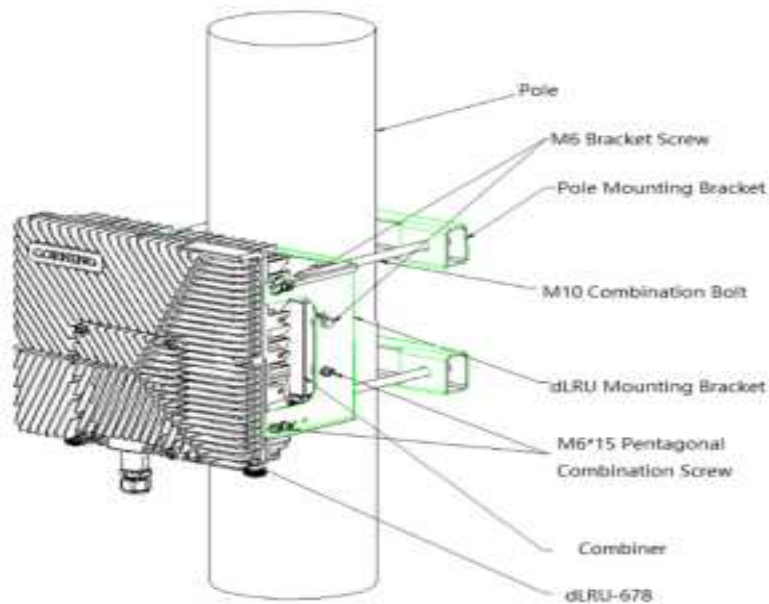


Figure 56. Installation Diagram of dLRU Pole

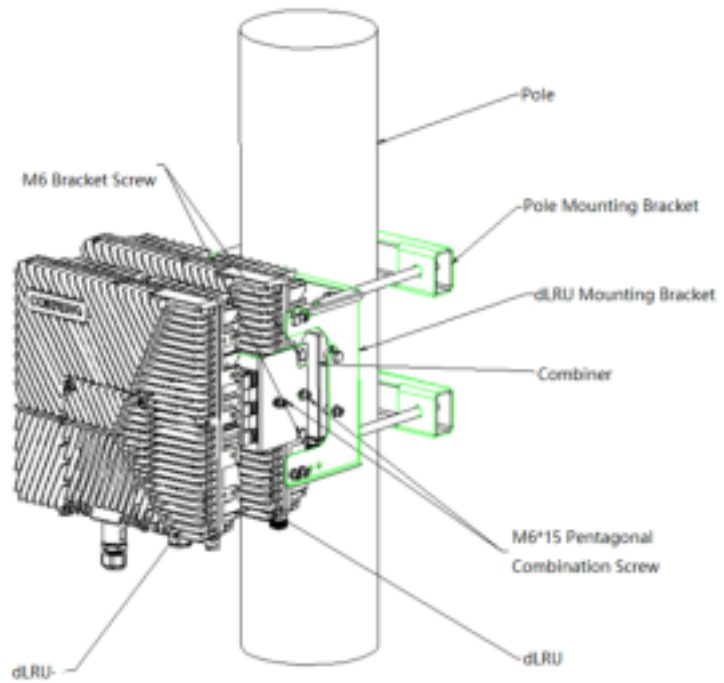


Figure 57. Dual Unit Installation Diagram

2.5.3 Power+ SPF+ Cable

For each unit, open the cover by removing 4 screws:

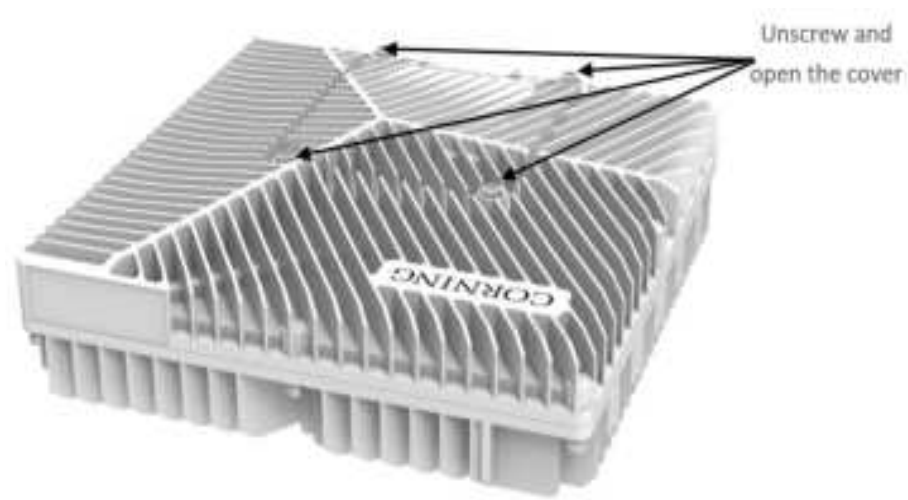


Figure 58. Connection of Two Units and a Combiner

For each unit, connect the internal (undercover) cables as follows:

- Power socket, see Figure 59.
- SFP+, see Figure 60 and Figure 61.

The voltage range of the device power supply is DC36V~57V.

Remove the rubber plug from the SFP+ connector located in the LRU RF port.

Connect the SFP+ LC/UPC SM DX optical cable to the LRU optical connector.

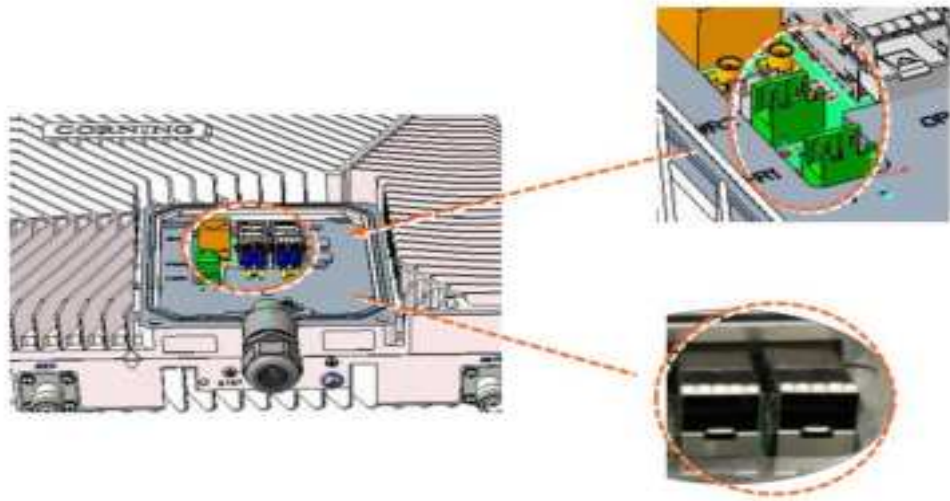


Figure 59. Power Socket



Figure 60. SFP+ Pluggable Transceivers



Figure 61. SFP+ Cable

Remove Rubber Plug from the Port and Insert the SFP+ Pluggable Transceivers (hot-pluggable optical transceiver module) into it.

2.5.4 Connect the Ground and Antenna Cables

2.5.4.1 Ground

**Note: Ground according to local regulations.*

The following additional (not supplied) tools and components are required for connecting the system ground:

- The size of ground shall meet the local and national installation requirements. The provided ground lug supports 14 AWG to 10 AWG stranded copper (or 12 AWG to 10 AWG solid) wire conductors.
- Use a wire-stripping tool to remove approximately 0.4 inch (10.9 mm) of the covering from the end of the ground.
- Insert the stripped end of the ground into the open end of the ground lug.
- Crimp the ground in the barrel of the ground lug. Verify that the ground is securely attached to the ground lug by holding and gently pulling on it.
- Prepare the other end of the ground and connect it to an appropriate ground point.

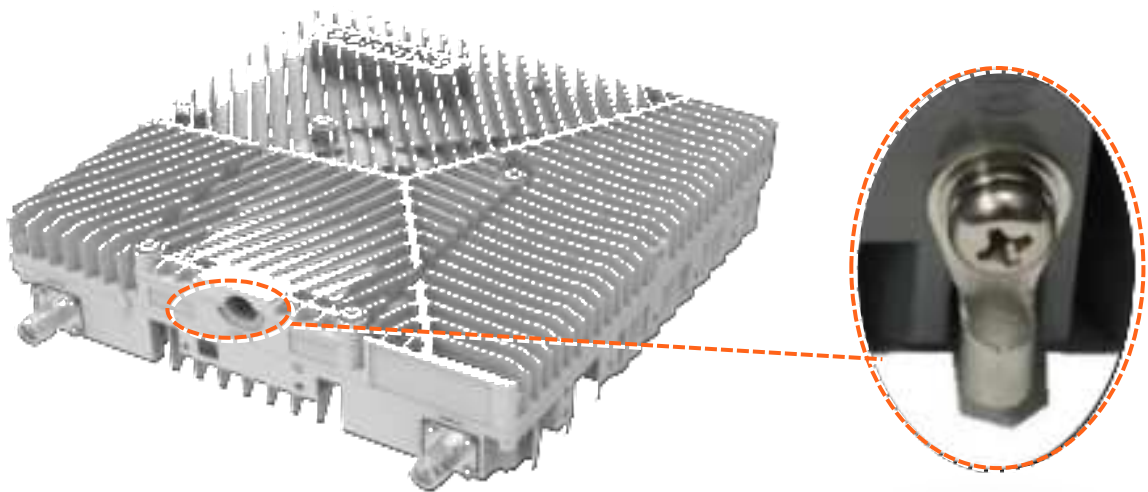


Figure 62. The Ground

2.5.4.2 Antenna

Connect the MRU male 4.3-10 Type duplexed RF ANT port to the broadband antenna(s) with proper cables.

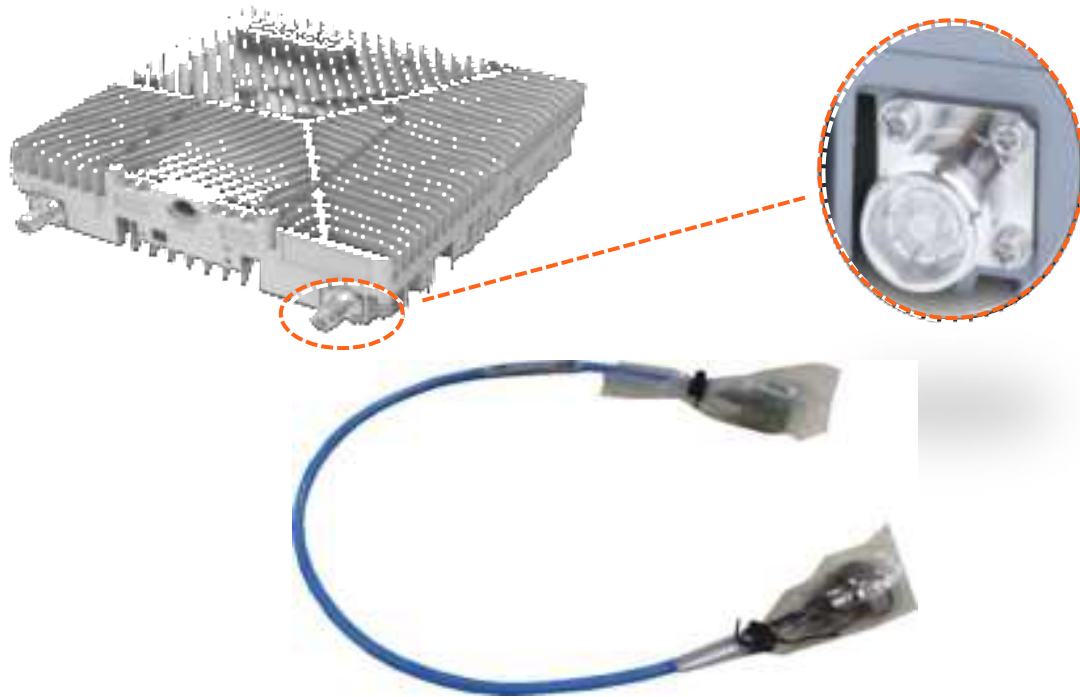


Figure 63. Antenna

**Notes:*

- To avoid MIMO disruption, ensure that the antennas are connected correctly according to the combiner labels.
- There may be some configurations/use-cases which are not required for the combiner, as there is only one type of unit (either low or mid band).

2.5.5 Combiner cables

Connect the Antenna cables as the Figure shows below.

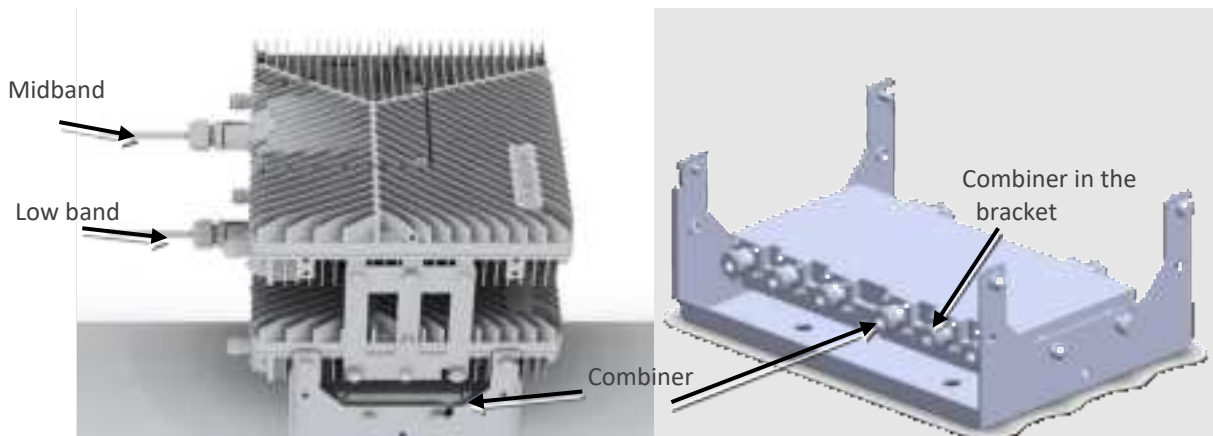


Figure 64. Combiner in the Bracket

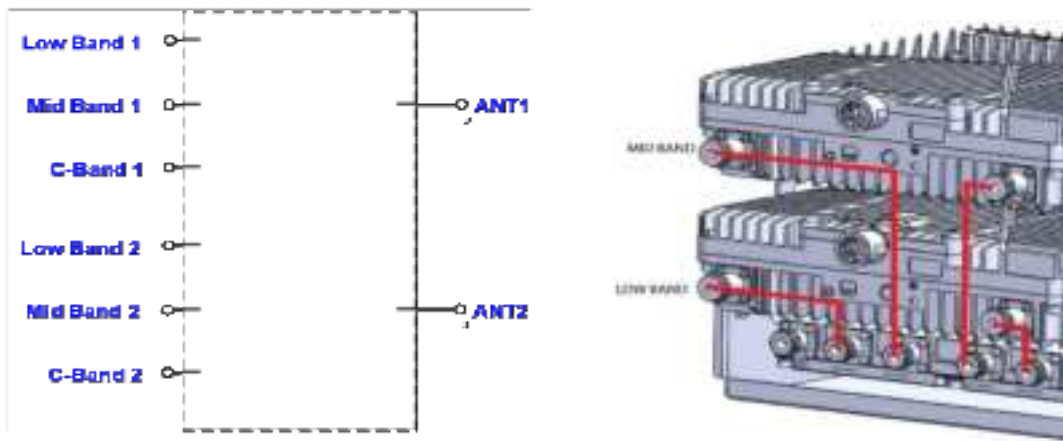


Figure 65. The Entire System Connection

**Notes:*

- *To avoid MIMO disruption, ensure that the antennas are connected correctly according to the combiner labels.*
- *There may be some configurations/use-cases which are not required for the combiner as there is only one type of the unit (either low or mid band).*

2.5.6 Verify normal operation

The LED indicator is located on the side panel of the dLRU, as shown in the Figure below.



Figure 66. LED Indicator

The indicator status description is shown in Table 19.

Table 19. dLRU Low-Power Remote Unit LED Indicator



LED Indicator	Status	Description
STAT	Green	Power on or chip configuration process
	Green flashes (1 time/second)	Normal operation
	Green flashes (2 times/second)	Identify
	Red flashes (1 time/second)	Over temperature alarm
	Red	Hardware alarm

2.6 dMRU Installation

2.6.1 Verify box Contents

1. Open the package and verify all elements are available according to Table 20.

Table 20. dMRU Package Items List

Item	Quantity	Image	Part Number
HARDWARE – provided in the box			
dMRU unit-without fan	1		dMRU-G2-25 dMRU-G2-35 dMRU-FDD
dMRU unit-with fan	1		dMRU-G2-25 dMRU-G2-35 dMRU-FDD
Fan Assembly			Order separately
RF Jumper cables			N/A
HARDWARE – not provided			
4 screws #8 or 4 mm	4		
SFP+ Pluggable Transceivers (hot-pluggable optical transceiver module); Support for option 8 line-rate 24.3 Gbps, single mode	2		
Optical cables Up to 10 km LC/UPC SM DX			
SOFTWARE			
NA			
Required TOOLS			
Phillips Screwdriver	1		

2.6.2 dMRU Dimensions

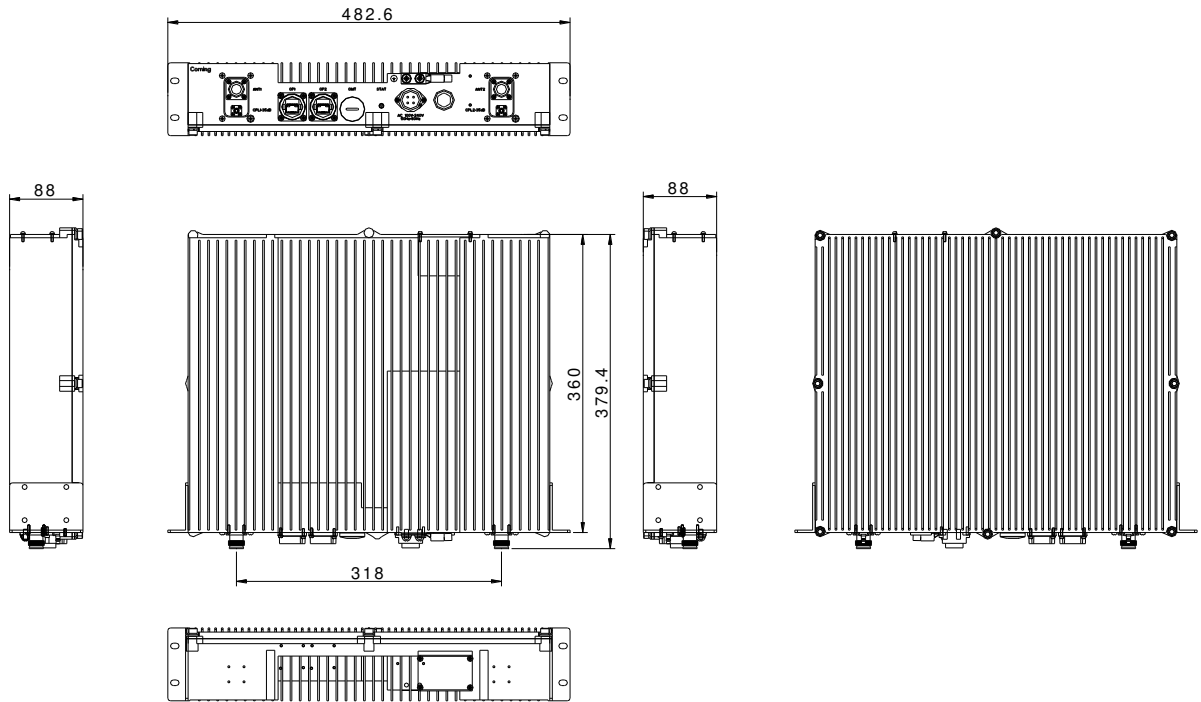


Figure 67. dMRU Dimensions - Without a Fan

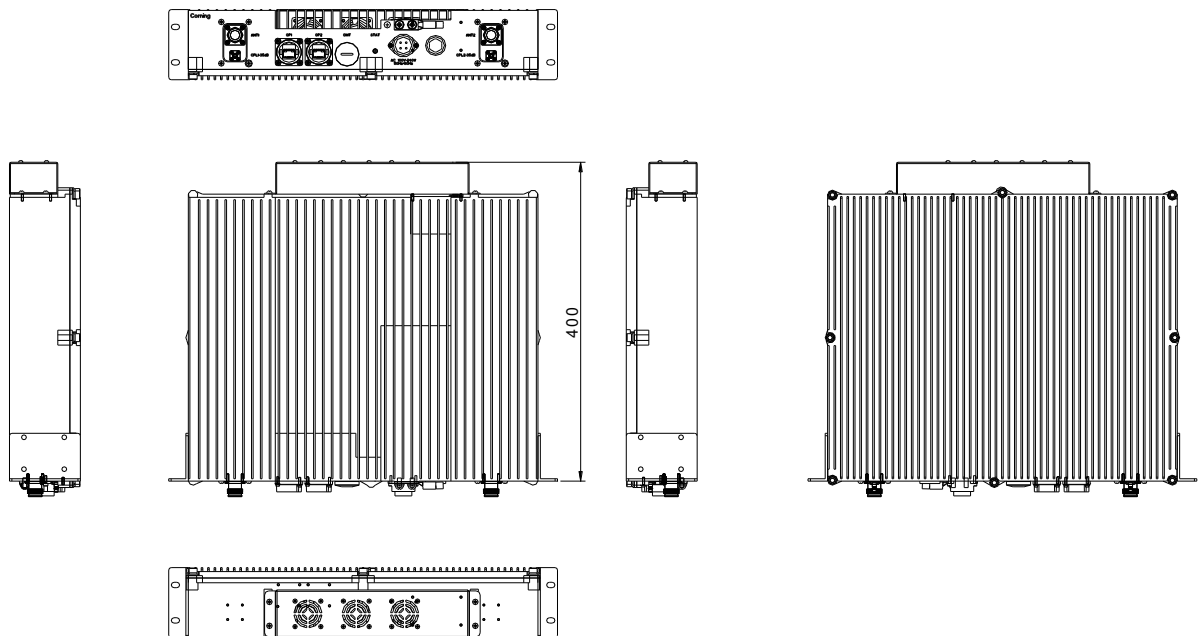


Figure 68. dMRU Dimensions - with Fan

Physical Dimensions		
Dimension (W x H x D) (approx.	Inch (mm)	17 x 3.5 x 14.4 (440 x 88 x 365)
Weight (approx.	Lbs. (Kg)	15 (6.8)

2.6.3 dMRU Interfaces

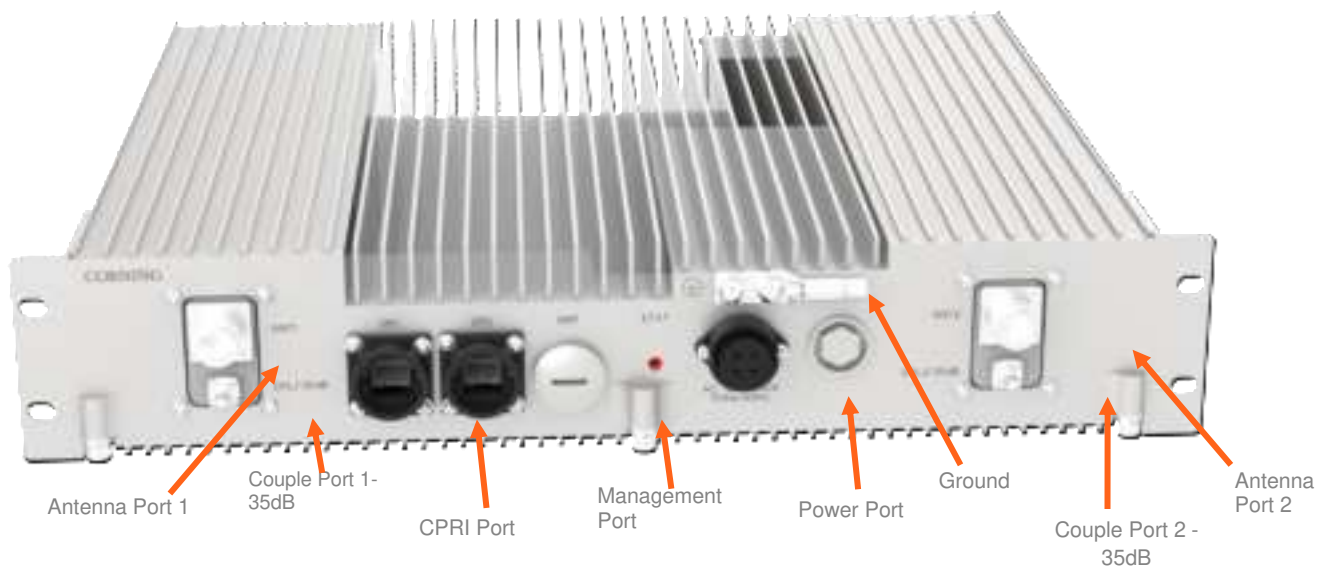


Figure 69. dMRU Front View

Connectors	
Antenna Ports	2, 4.3-10 female
Couple Ports	2, QMA female
CPRI Port	2, SFP+ 24.3Gbps
Management Ports	1, RJ45
Power Port	1, C016 20C003, male
Ground	1, Two holes M6

2.6.4 Cables Connection

For each of the units connect the external cables as follows:

- Power, see 2.6.5
- SFP+, see 2.6.6
- Fan, see 2.6.7

2.6.5 Power

Connect the AC wire to the dMRU connectors panel



Figure 70. dMRU Connectors Panel

2.6.6 SFP+ Cables

Remove the rubber stopper from the SFP+ connector located in the dMRU CPRI port
 Connect the SFP+ LC/UPC SM DX optic cable to the dMRU optic connector.

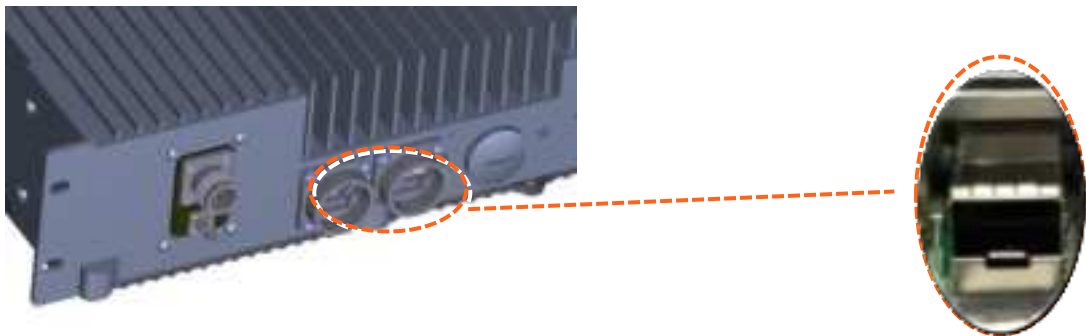


Figure 71. SFP Connector



SFP+ Pluggable Transceivers



SFP+ Cable

Figure 72.SPF and Optical Cable